

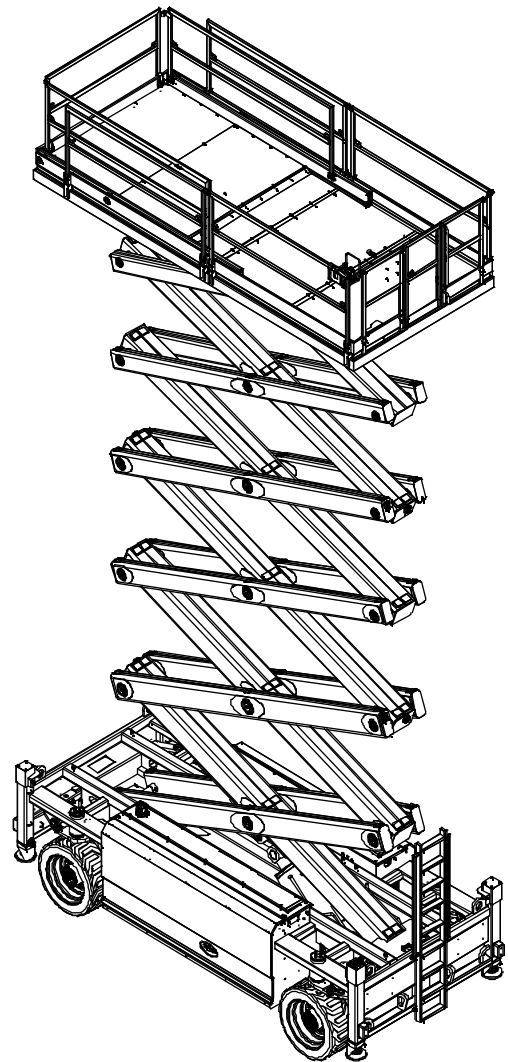
DINGLI

Exceed · New Height

Parts Manual

JCPT2825RT

From SN
JPR2825023A0251-



CE

Part Number: SM012120131

Version Number: Rev1.1

August 2023 Printing

DINGLI

Foreword

We are very appreciated for your interesting with Dingli machine and choosing it for your application. Our priority above all is you can use the machine safely for your application and you can benefit from the Dingli machine mostly. For these reason we hope you can:

1. Comply with employer, job site and local governmental rules.
2. Safeguard your commitment to quality by always using genuine Dingli spare parts. Remember, Dingli cannot accept responsibility for the failure of a separator equipped with non-original spare parts. We guarantee the quality and reliability of our products.
3. All sketch maps of parts shown in this manual are for reference only, it is the practical that counts. This manual includes all the latest information up to the date when it was printed. All responsibilities for the revision and explanation of the manual rest with the Dingli. We also preserve the right to edit the technology characteristic and content of the manual.
4. Anyone who read the manual or used the machine, is encouraged to notify Dingli Machinery Co, Ltd of any errors or send in suggestions for improvement. All communications will be carefully considered for future printings of this and other manuals, certainly if you have any question about the machine, please contact with our team by dialing technical support phone, sending email, or any methods you want, etc. Our contact information as bellow:

If you are in China Mainland, Please contact with:

Zhejiang Dingli Machinery Co.,Ltd. Domestic Office:

Phone: +86 572 8681766
Fax: +86 572 8681700
Email: sales@cndingli.com

If you are out of the China Mainland, Please contact with:

Zhejiang Dingli Machinery Co.,Ltd. International Office:

Phone: +86 572 8681688
Fax: +86 572 8681690
Email: export@cndingli.com

Table of Contents

Section 1 Chassis

101.1	Steer Linkage and Wheels Installation.....	2
102.1	Steer Linkage and Wheels Assembly	4
103.1	Motor Assembly	7
104.1	Right Tray Door Installation.....	8
105.1	Right Tray Assembly	11
106.1	Hydraulic Tank Assembly	14
107.1	Filter Assembly	17
108.1	Fuel Filter Assembly.....	18
109.1	Cooling System Assembly.....	19
110.1	Intake System and Exhaust System.....	21
111.1	Engine Assembly Installation	23
112.1	Engine Assembly.....	25
113.1	Fuel Filter Assembly	28
114.1	Left Tray Door Installation.....	29
115.1	Left Tray Assembly 1	32
116.1	Left Tray Assembly 2	34
117.1	Fuel Tank Assembly	37
118.1	Manual Pump Assembly	39
119.1	Ground Control Installation.....	40
120.1	Ground Control Box Support Assembly	41
121.1	Ground Control Box Assembly	43
122.1	Alternator Assembly (option)	46
123.1	High Pressure Line Filter Assembly.....	47
124.1	Function Manifold Assembly.....	48
125.1	Drive Manifold Assembly	50
126.1	Oil Cooler Assembly.....	52
127.1	Hydraulic Hoses Manifold Assembly.....	53
128.1	Outriggers Assembly	55
129.1	Ladder and Chassis Accessory Installation	58
130.1	Outrigger Plate (Option).....	61
131.1	Guardrail turning device.....	63

Section 2 Scissor

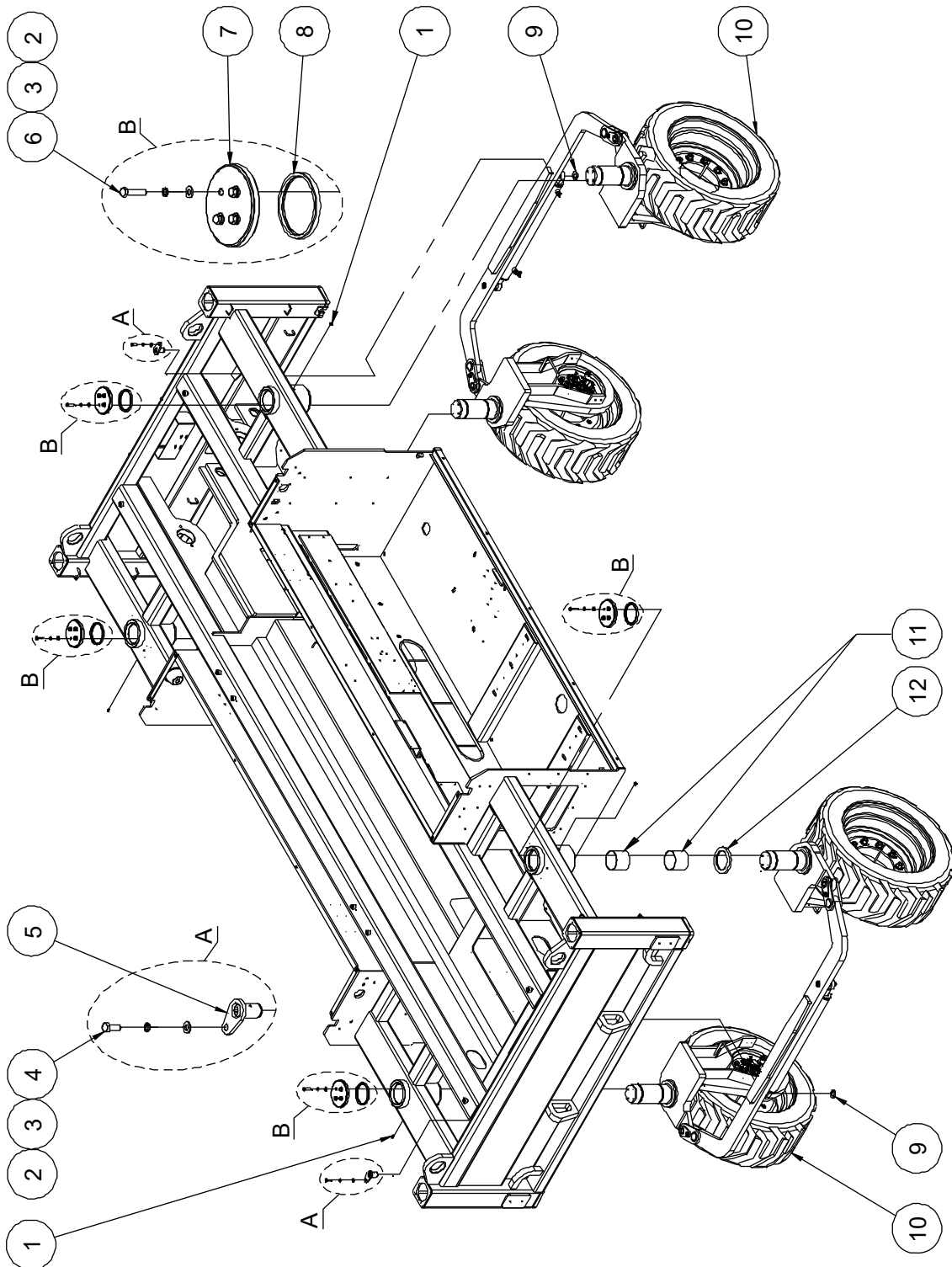
201.1	Scissor Arms Installation.....	66
-------	--------------------------------	----

202.1	Scissor Arm pin joint A	68
203.1	Scissor Arm pin joint B.....	69
204.1	Scissor Arm pin joint C	70
205.1	Scissor Arm pin joint D	71
206.1	Scissor Arm pin joint E.....	72
207.1	Scissor Arm pin joint F.....	73
208.1	Scissor Arm pin joint G	74
209.1	Scissor Arm pin joint H	75
210.1	Platform Slider Assembly	76
211.1	Lift cylinder and Scissor Accessory Installation	77
212.1	Rotary Sensor Assembly	79
Section 3 Platform		
301.1	Main Platform Assembly	82
302.1	Platform Extension Assembly	85
303.1	Platform Control Box Assembly	87
304.1	Top Telescopic Cylinder Assembly	88
Section 4 Hydraulic System		
401.1	Lift Cylinder Assembly	91
402.1	Left Outrigger Cylinder Assembly.....	93
403.1	Right Outrigger Cylinder Assembly	95
404.1	Function Manifold	97
404.2	Function Manifold	100
405.1	Drive Manifold	103
406.1	Counterbalance Manifold Assembly.....	105
407.1	Hydraulic Hoses and Fittings - Drive	106
408.1	Hydraulic Hoses and Fittings - Function.....	110
409.1	Hydraulic Hoses and Fittings - Outrigger.....	113
410.1	Hydraulic Hoses and Fittings - Alternator (Option).....	115
Section 5 Electrical System		
501.1	Electrical Harness	117
502.1	Power to Platform.....	120
Section 6 Decal		
601.1	Decals with Words.....	123
602.1	Decals with Symbols	128
Section 7 Automatic Lubrication Systems		
701.1	Automatic Lubrication Systems - Chassis Components	134

702.1	Automatic Lubrication Systems - Scissor Components.....	136
703.1	Cable Bridge Assembly 1.....	139
704.1	Cable Bridge Assembly 2.....	140
705.1	Automatic Lubrication Systems - Hoses and Fittings.....	141
706.1	Automatic Lubrication Systems - Scissor Arms Installation.....	145
707.1	Automatic Lubrication Systems - Scissor Arm pin joint A.....	147
708.1	Automatic Lubrication Systems - Scissor Arm pin joint B.....	148
709.1	Automatic Lubrication Systems - Scissor Arm pin joint C.....	149
710.1	Automatic Lubrication Systems - Scissor Arm pin joint D.....	150
711.1	Automatic Lubrication Systems - Scissor Arm pin joint E.....	151
712.1	Automatic Lubrication Systems - Scissor Arm pin joint F.....	152
713.1	Automatic Lubrication Systems - Scissor Arm pin joint G.....	153
714.1	Automatic Lubrication Systems - Scissor Arm pin joint H.....	154
715.1	Automatic Lubrication Systems - Lift cylinder and Scissor Accessory Installation.....	155

Section 1 Chassis

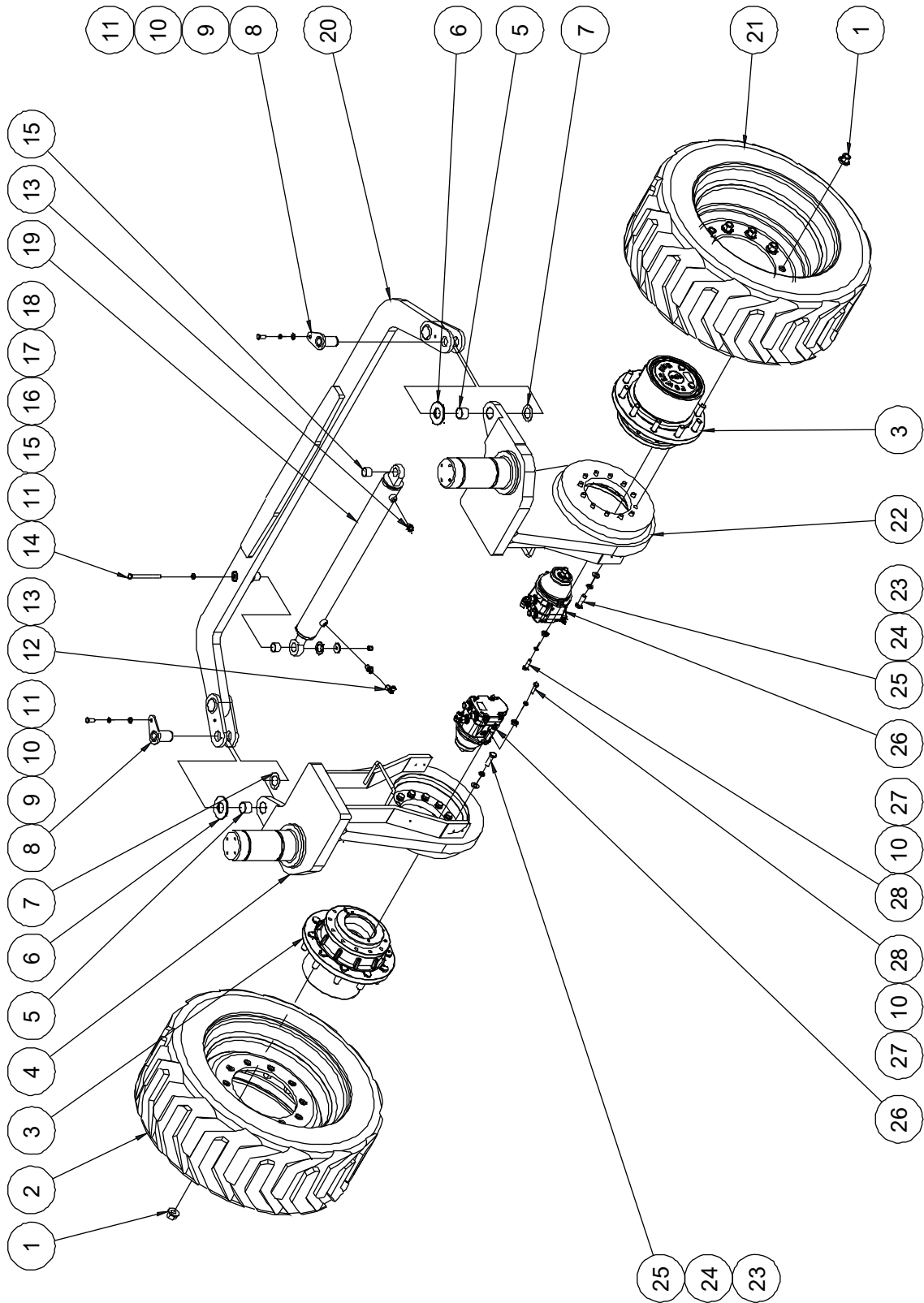
101.1 Steer Linkage and Wheels Installation



101.1 Steer Linkage and Wheels Installation

Item	Part No.	Description	Qty.
1	00004483	Grease nipple GB/T 1152 M10×1	4
2	00000814	Washer GB/T 97.1 12	18
3	00000815	Washer GB/T 93 12	18
4	00002059	Bolt GB/T 5783 M12×30	2
5	10010151	Pin	2
6	00001856	Bolt GB/T 5783 M12×50	16
7	10020129	Cover	4
8	00007841	Seal GB/T 13871.1 FB 120 140 12 III	4
9	00004610	8832-32 Bearing	2
10		Steer linkage and wheels assembly (refer to 102.1)	2
11	00006146	8812-120125100A Bearing	8
12	10015696	Washer	4

102.1 Steer Linkage and Wheels Assembly



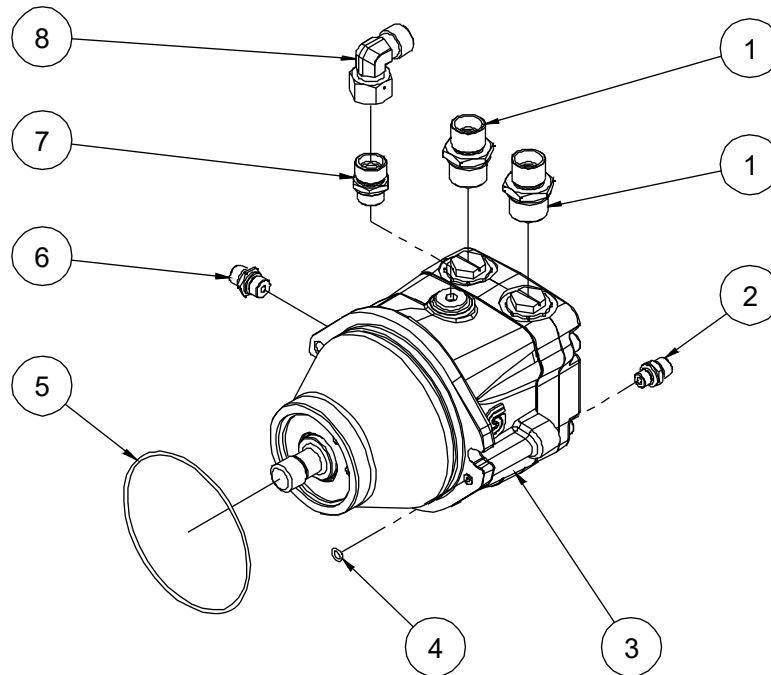
102.1 Steer Linkage and Wheels Assembly

Item	Part No.	Description	Qty.
1	00002650	M22×1.5 Nut	20
2	10004800	Wheel (black)	1
	00006229	Wheel (grey)	1
3	00004024	Drive hub	2
4	10018376	Steer yoke weldment	1
5	00000395	8812-404430 Bearing	3
6	10018510	Washer	2
7	00004779	8832-42 Bearing	2
8	10018511	Pin	2
9	00002059	Bolt GB/T 5783 M12×30	2
10	00000815	Washer GB/T 93 12	6
11	00000814	Washer GB/T 97.1 12	3
12	00001832	Elbow	1
13	00002921	Straight fitting	2
14	00008828	Bolt GB/T 5782 M12×140	1
15	00000376	8812-303425 Bearing	2
16	10013519	Washer	1
17	10010963	Washer	1
18	00001249	Nut GB/T 6182 M12	1
19	10021116	Steer cylinder assembly (without seal kit)	1
--	00008942	Seal kit	1
20	10018504	Tie rod weldment	1
21	10004799	Wheel (black)	1
	00006228	Wheel (grey)	1
22	10018502	Steer yoke weldment	1
23	00000997	Washer GB/T 97.1 16	24
24	00001035	Washer GB/T 93 16	24
25	00001036	Bolt GB/T 5783 M16×50	24
26		Motor assembly (refer to 103.1)	2

102.1 Steer Linkage and Wheels Assembly

Item	Part No.	Description	Qty.
27	50005112	Washer	4
28	00001055	Bolt GB/T 5783 M12×40	4

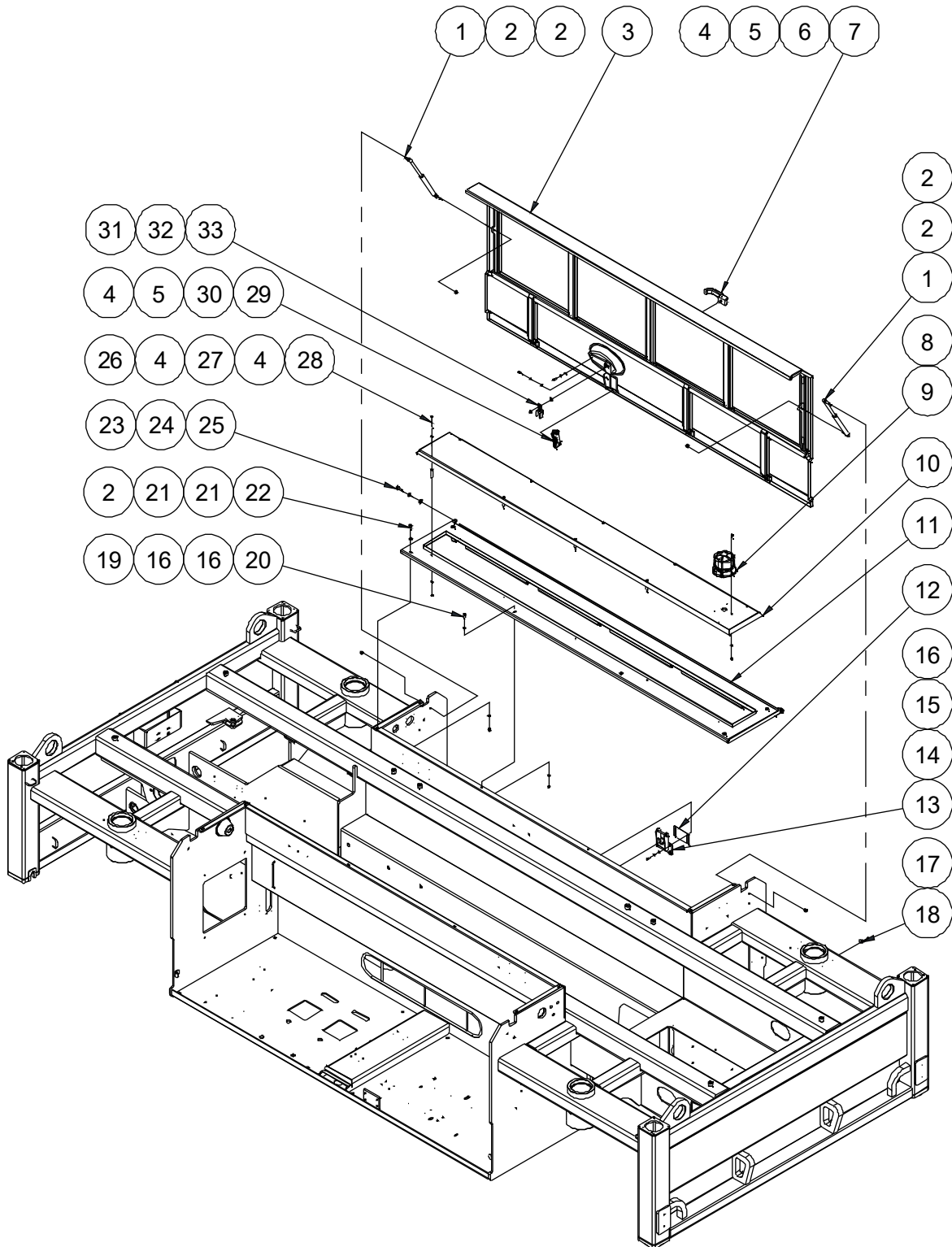
103.1 Motor Assembly



103.1 Motor Assembly

Item	Part No.	Description	Qty.
1	00002073	Straight fitting	2
2	00001769	Straight fitting	1
3	00008612	Motor	1
4	00001387	O-ring GB1235-76 10×1.9	1
5	00001542	O-ring As568A 120.32×2.62	1
6	00002072	Straight fitting	1
7	00001775	Straight fitting	1
8	00001835	Elbow	1

104.1 Right Tray Door Installation



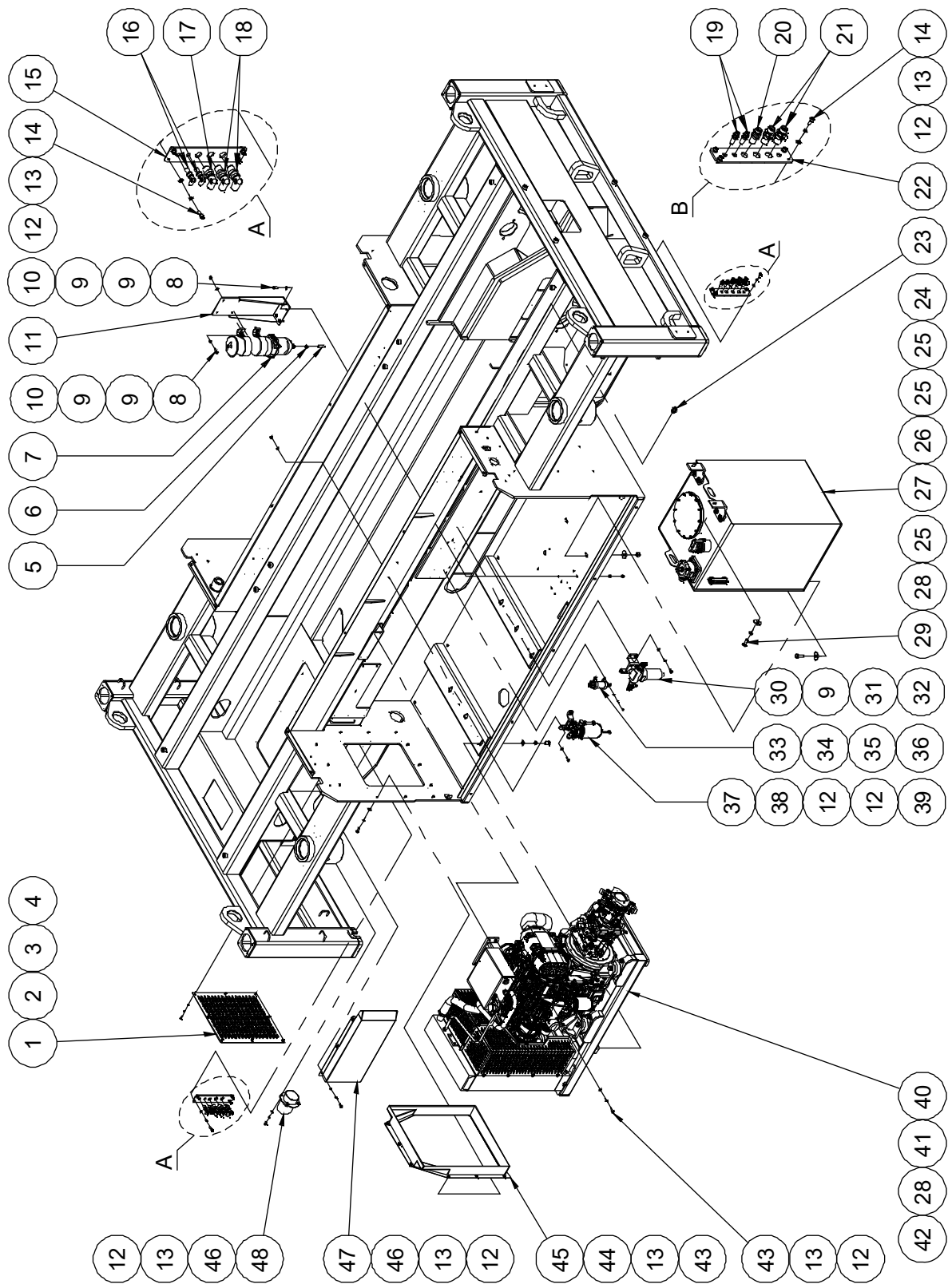
104.1 Right Tray Door Installation

Item	Part No.	Description	Qty.
1	10018398	Gas shock	2
2	00000623	Nut GB/T 6182 M10	8
3	10018361	Right door	1
4	00000620	Washer GB/T 97.1 6	24
5	00000621	Washer GB/T 93 6	5
6	00000743	Bolt GB/T 5783 M6×20	3
7	50000524	Handle	1
8	00000774	Screw GB/T 70.1 M6×20	3
9	00004883	Beacon	1
10	10018543	Cover	1
11	10018366	Top panel	1
12	10010444	Washer	1
13	10010254	Lock clasp	1
14	00000875	Bolt GB/T 5783 M8×20	4
15	00000609	Washer GB/T 93 8	4
16	00000608	Washer GB/T 97.1 8	8
17	00002026	Screw GB/T 818 M4×10 - H	2
18	10000376	Bumper	2
19	00001163	Nut GB/T 6182 M8	2
20	00000993	Bolt GB/T 5783 M8×25	2
21	00000615	Washer GB/T 97.1 10	8
22	00000683	Bolt GB/T 5783 M10×30	4
23	00001043	Washer GB/T 97.1 14	2
24	00001258	Washer GB/T 93 14	2
25	10010215	Pin	2
26	00001033	Nut GB/T 6182 M6	11
27	10010987	Spacer sleeve	8
28	00007023	Bolt GB/T 5782 M6×80	8
29	10000481	Latch (left)	1

104.1 Right Tray Door Installation

Item	Part No.	Description	Qty.
30	00000619	Bolt GB/T 5783 M6×25	2
31	50000479	Nut	1
32	50000478	Threaded sleeve	1
33	10016135	Bracket	1

105.1 Right Tray Assembly



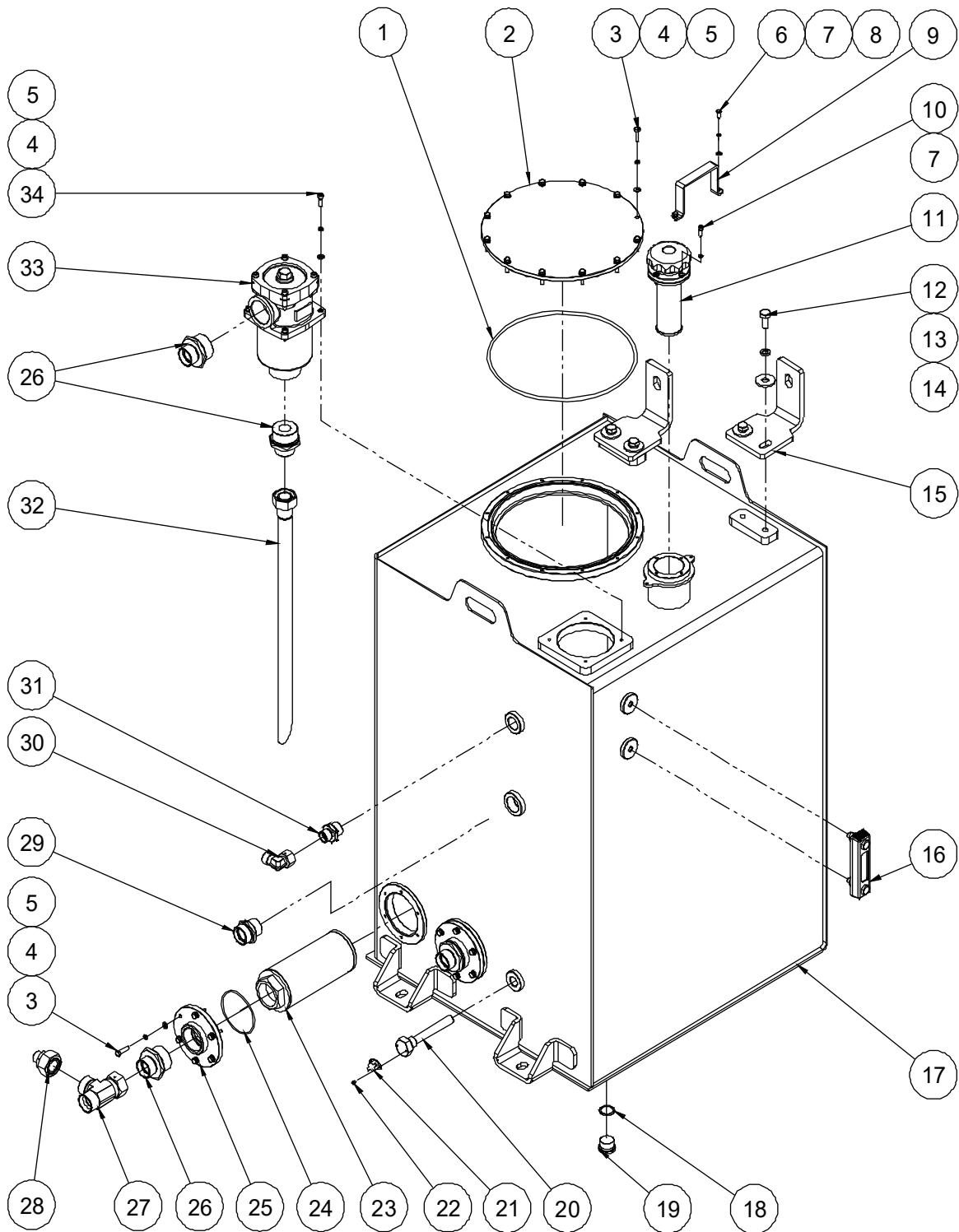
105.1 Right Tray Assembly

Item	Part No.	Description	Qty.
1	10018759	Cooler cover	1
2	00000743	Bolt GB/T 5783 M6×20	8
3	00000621	Washer GB/T 93 6	8
4	00000620	Washer GB/T 97.1 6	8
5	10016487	Hose (option)	1
6	92100158	Clamp (option)	1
7	92000170	Oil-water separator (option)	1
8	00000683	Bolt GB/T 5783 M10×30 (option)	8
9	00000615	Washer GB/T 97.1 10 (option)	16
10	00000623	Nut GB/T 6182 M10 (option)	8
11	10016126	Oil-water separator bracket (option)	1
12	00000608	Washer GB/T 97.1 8	24
13	00000609	Washer GB/T 93 8	22
14	00001061	Screw GB/T 70.1 M8×20	8
15	10018527	Plate	1
16	00003867	Elbow	2
17	00003870	Elbow	1
18	00004349	Elbow	2
19	00002135	Straight fitting	2
20	00002138	Straight fitting	1
21	00002145	Straight fitting	2
22	10018478	Plate	1
23	00001828	Water-proof joint M20	1
24	00001257	Nut GB/T 6182 M16	2
25	00003071	Washer GB/T 96.1 16	6
26	00001036	Bolt GB/T 5783 M16×50	2
27		Hydraulic tank assembly (refer to 106.1)	1
28	00001035	Washer GB/T 93 16	2
29	00001161	Bolt GB/T 5783 M16×40	2

105.1 Right Tray Assembly

Item	Part No.	Description	Qty.
30		Filter assembly (refer to 107.1)	1
31	00000679	Washer GB/T 93 10	4
32	00000674	Bolt GB/T 5783 M10×20	4
33	90029469	Fuel pump	1
34	00003949	Bolt GB/T 5783 M5×16	4
35	00000606	Washer GB/T 93 5	4
36	00000605	Washer GB/T 97.1 5	4
37		Fuel filter assembly (refer to 108.1)	1
38	00000993	Bolt GB/T 5783 M8×25	2
39	00001163	Nut GB/T 6182 M8	2
40		Engine installation assembly (refer to 109.1,110.1, 111.1, 112.1,113.1)	1
41	00006696	Bolt GB/T 5783 M16×25	6
42	00000997	Washer GB/T 97.1 16	6
43	00000995	Bolt GB/T 5783 M8×30	16
44	00002000	Washer GB/T 96.1 8	12
45	10018467	Cooler shroud weldment	1
46	00000875	Bolt GB/T 5783 M8×20	10
47	10018484	Cover	1
48	10013263	Exhaust pipe weldment	1

106.1 Hydraulic Tank Assembly



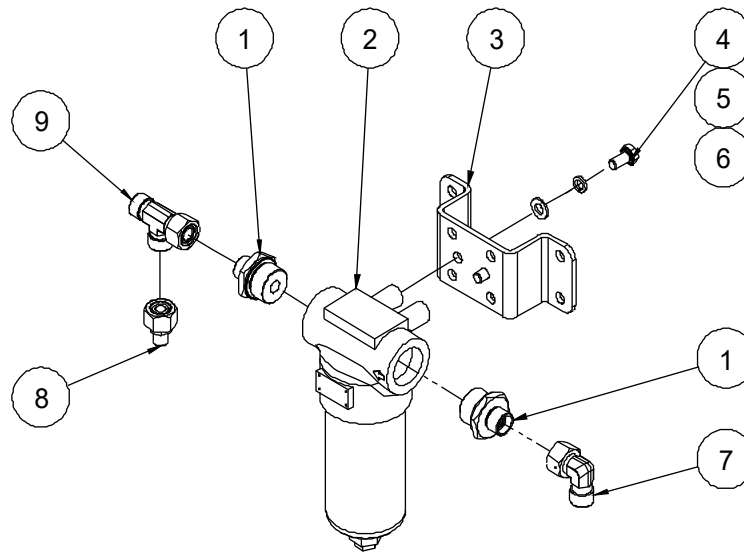
106.1 Hydraulic Tank Assembly

Item	Part No.	Description	Qty.
1	00004412	O-ring GB/T 3452.1-272×5.3	1
2	10011071	Cover weldment	1
3	00000619	Bolt GB/T 5783 M6×25	24
4	00000621	Washer GB/T 93 6	28
5	00000620	Washer GB/T 97.1 6	28
6	00002246	Bolt GB/T 5783 M5×12	2
7	00000606	Washer GB/T 93 5	6
8	00000605	Washer GB/T 97.1 5	2
9	10013558	Keeper bar	1
10	00001246	Screw GB/T 70.1 M5×16	4
11	00000520	Air cleaner	1
12	00000816	Bolt GB/T 5783 M12×25	4
13	00000815	Washer GB/T 93 12	4
14	00002601	Washer GB/T 96.1 12	4
15	10019593	Bracket	2
16	00001873	Level gauge	1
17	10018230	Hydraulic tank weldment	1
18	50000523	Washer	1
19	50000197	G3/4 Plug	1
20	10005917	Plug	1
21	00003376	Temperature switch	1
22	00003548	Screw GB/T 818 M3×6 - H	2
23	00001872	Suction filter	2
24	00001536	O-ring As568A 82.22×2.62	2
25	50001442	Flange	2
26	00003964	Straight fitting	4
27	00001242	Tee fitting	1
28	00003844	Straight fitting	1
29	00002071	Straight fitting	1

106.1 Hydraulic Tank Assembly

Item	Part No.	Description	Qty.
30	00001835	Elbow	1
31	00006556	Straight fitting	1
32	10011561	Pipe	1
33	00001869	Return filter	1
--	00004706	Filter element	1
34	00000774	Screw GB/T 70.1 M6×20	4

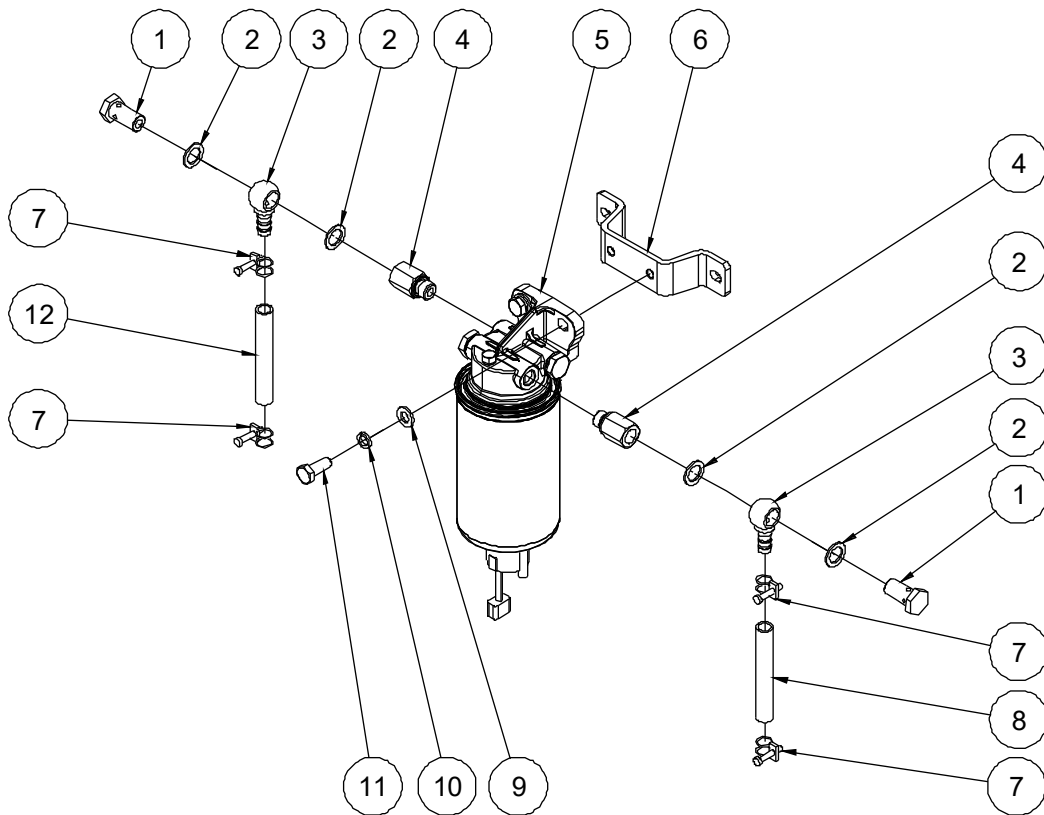
107.1 Filter Assembly



107.1 Filter Assembly

Item	Part No.	Description	Qty.
1	00002069	Straight fitting	2
2	00001870	High pressure line filter	1
--	00004697	Filter element	1
3	50002311	Filter bracket	1
4	00000674	Bolt GB/T 5783 M10×20	2
5	00000679	Washer GB/T 93 10	2
6	00000615	Washer GB/T 97.1 10	2
7	00001835	Elbow	1
8	00005926	Straight fitting	1
9	00001240	Tee fitting	1

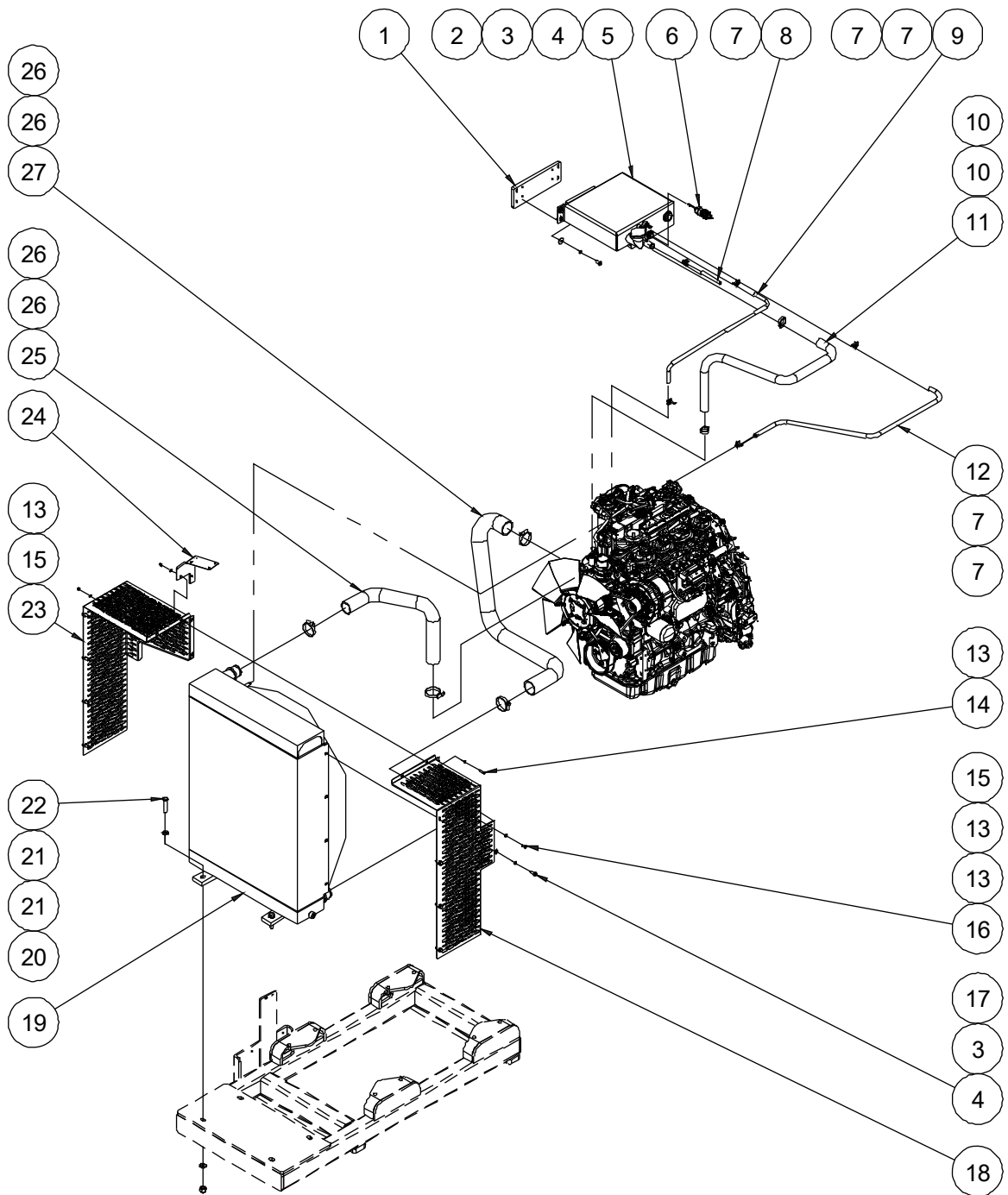
108.1 Fuel Filter Assembly



108.1 Fuel Filter Assembly

Item	Part No.	Description	Qty.
1	90007329	Drilled Screw	2
2	90007331	Washer	4
3	90023862	Fitting	2
4	92100611	Fitting	2
5	90029468	Fuel filter	1
--	90031462	Filter element	1
6	10004734	Fuel filter bracket	1
7	50001592	Clamp	4
8	10004736	Hose	1
9	00000615	Washer GB/T 97.1 10	2
10	00000679	Washer GB/T 93 10	2
11	00000678	Bolt GB/T 5783 M10×25	2
12	10020139	Hose	1

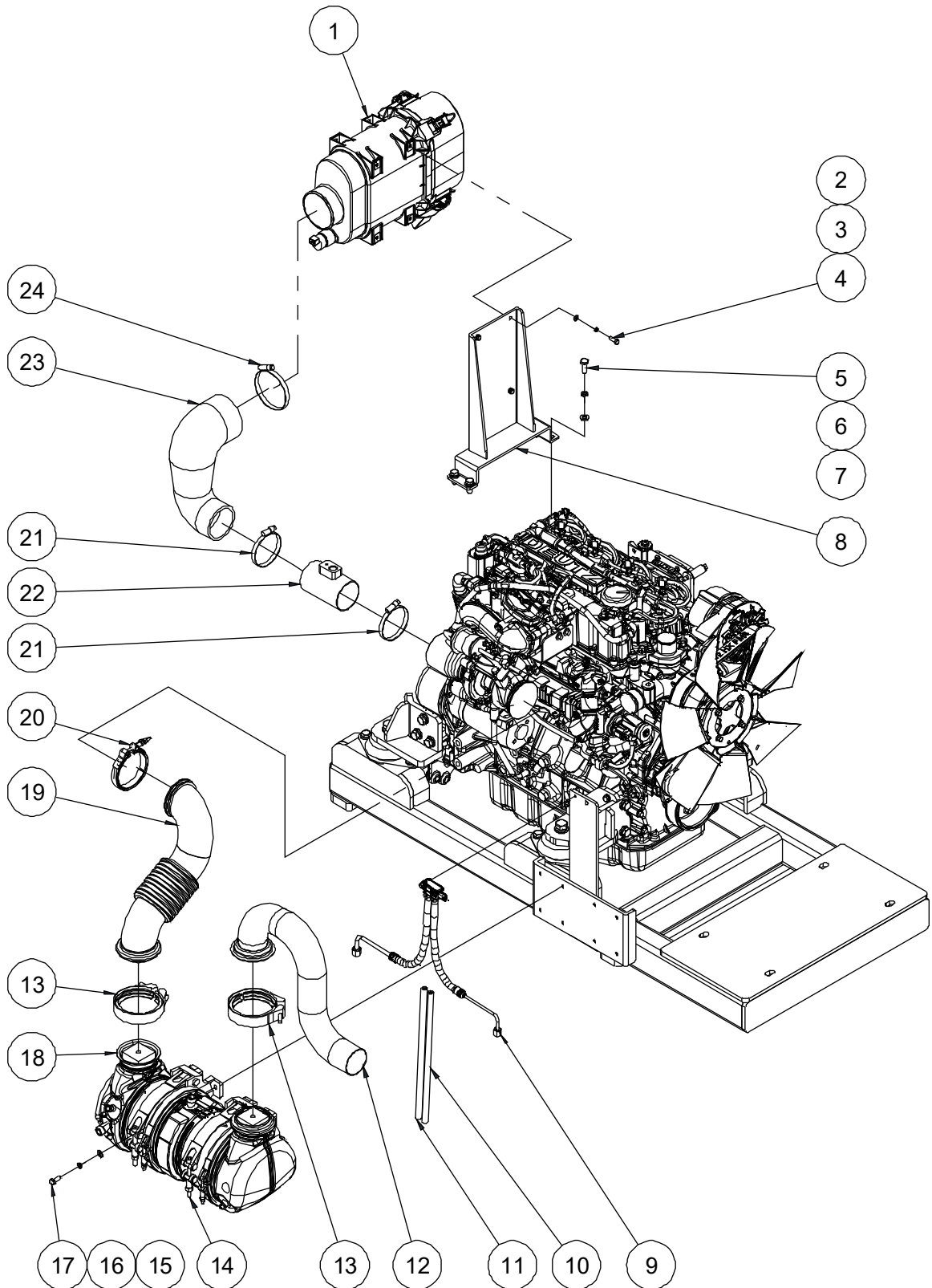
109.1 Cooling System Assembly



109.1 Cooling System Assembly

Item	Part No.	Description	Qty.
1	10014343	Bottle bracket	1
2	00002000	Washer GB/T 96.1 8	4
3	00000609	Washer GB/T 93 8	12
4	00000875	Bolt GB/T 5783 M8×20	12
5	92101233	Coolant recovery bottle	1
6	00002595	Coolant level switch	1
7	50001592	Clamp	5
8	10020394	Hose	1
9	10018385	Hose (Φ12×3)	1
10	90005077	Clamp	2
11	10020344	Hose (Φ32×5)	1
12	10018384	Hose (Φ16×3)	1
13	00000605	Washer GB/T 97.1 5	8
14	00002268	Bolt GB/T 5783 M5×20	2
15	00000613	Nut GB/T 6182 M5	4
16	00003949	Bolt GB/T 5783 M5×16	2
17	00000608	Washer GB/T 97.1 8	8
18	10018389	Cover	1
19	00008671	Cooler	1
20	00001044	Nut GB/T 6182 M14	4
21	00000814	Washer GB/T 97.1 12	8
22	00002923	Bolt GB/T 5783 M12×55	4
23	10018390	Cover	1
24	10023038	Bracket	1
25	10018388	Hose	1
26	90007999	Clamp	4
27	10018387	Hose	1

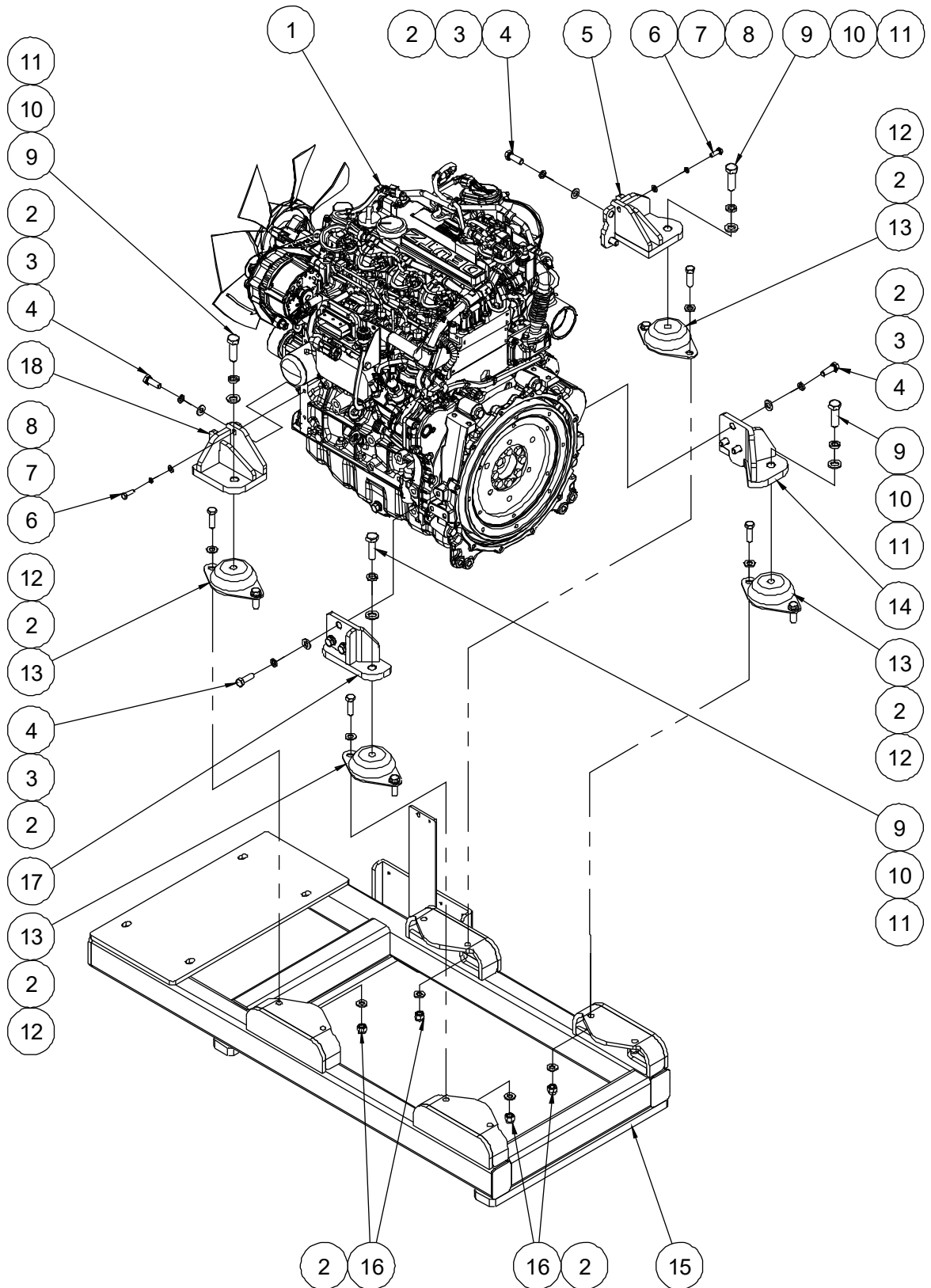
110.1 Intake System and Exhaust System



110.1 Intake System and Exhaust System

Item	Part No.	Description	Qty.
1	90029290	Air cleaner	1
--	00006809	Air Filter Sensor	1
--	90031459	Safety Cartridge	1
--	90031461	Filter Cartridge	1
--	50000112	Nut QC/T 885 M6	4
2	00000620	Washer GB/T 97.1 6	4
3	00000621	Washer GB/T 93 6	4
4	00000743	Bolt GB/T 5783 M6×20	4
5	00000678	Bolt GB/T 5783 M10×25	4
6	00000679	Washer GB/T 93 10	4
7	00000615	Washer GB/T 97.1 10	4
8	10018797	Air cleaner bracket	1
9	00006582	Differential pressure sensor	1
10	10013436	Hose	1
11	10018471	Hose	1
12	10020397	Exhaust pipe weldment	1
13	90029480	Clamp	2
14	10010294	Muffler clip	2
15	00000608	Washer GB/T 97.1 8	8
16	00000609	Washer GB/T 93 8	8
17	00000875	Bolt GB/T 5783 M8×20	8
18	92100267	Muffler	1
19	10018345	Exhaust pipe weldment	1
20	92049045	Clamp	1
21	90015693	Clamp	2
22	10018356	Intake pipe weldment	1
23	10018354	Hose	1
24	90007001	Clamp	1

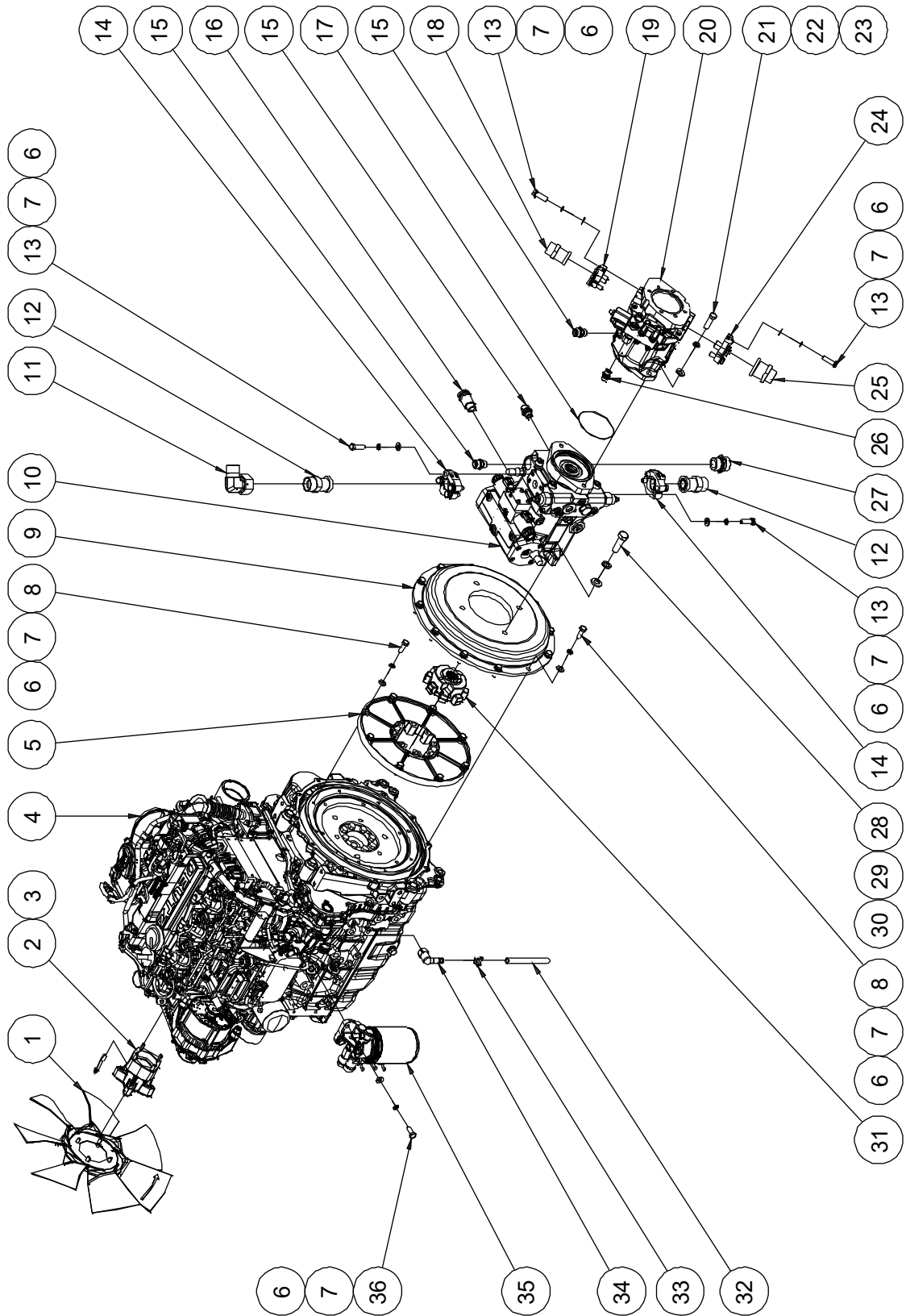
111.1 Engine Assembly Installation



111.1 Engine Assembly Installation

Item	Part No.	Description	Qty.
1		Engine assembly (refer to 112.1)	1
2	00000814	Washer GB/T 97.1 12	26
3	00000815	Washer GB/T 93 12	10
4	00002046	Bolt GB/T 5783 M12×35	10
5	10018464	Engine bracket	1
6	00000993	Bolt GB/T 5783 M8×25	2
7	00000609	Washer GB/T 93 8	2
8	00000608	Washer GB/T 97.1 8	2
9	00001036	Bolt GB/T 5783 M16×50	4
10	00001035	Washer GB/T 93 16	4
11	00000997	Washer GB/T 97.1 16	4
12	00001055	Bolt GB/T 5783 M12×40	8
13	10004820	Absorber	4
14	10004702	Engine bracket	1
15	10020175	Engine tray weldment	1
16	00001249	Nut GB/T 6182 M12	8
17	10004706	Engine bracket	1
18	10018462	Engine bracket	1

112.1 Engine Assembly



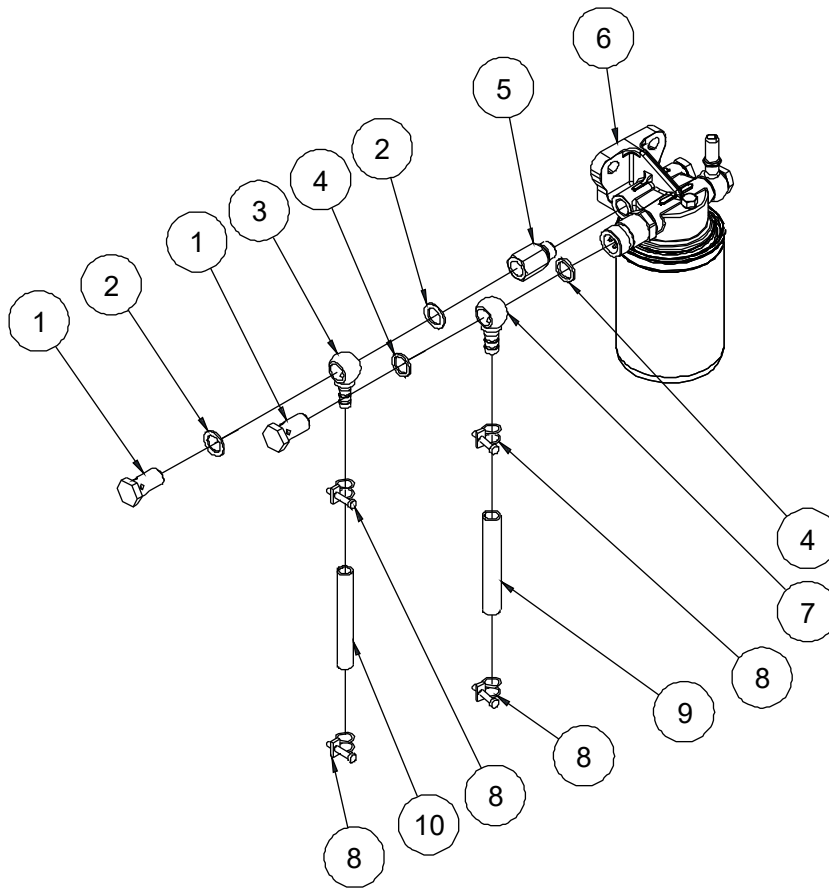
112.1 Engine Assembly

Item	Part No.	Description	Qty.
1	00008667	Fan	1
2	00008666	Adapter	1
3	00008910	Screw	4
4	92100487	Engine	1
--	90031505	V-Belt	1
--	90024289	Filter Cartridge	1
5	92046508	Flange	1
6	00000615	Washer GB/T 97.1 10	38
7	00000679	Washer GB/T 93 10	38
8	00000683	Bolt GB/T 5783 M10×30	20
9	10018383	Protection	1
10	00008670	Piston pump	1
11	00001843	Elbow	1
12	00008673	Flange adapter	2
13	00000684	Bolt GB/T 5783 M10×35	16
14	00008672	Flange	2
15	00001264	Straight fitting	3
16	00003943	Straight fitting	1
17	00001691	O-ring As568A 101.32×1.78	1
18	00006180	Flange adapter	1
19	90003625	Flange	1
20	90028882	Piston pump	1
21	00001055	Bolt GB/T 5783 M12×40	2
22	00000815	Washer GB/T 93 12	4
23	00000814	Washer GB/T 97.1 12	4
24	90009892	Flange	1
25	00009079	Flange adapter	1
26	00001290	Straight fitting	1
27	00002071	Straight fitting	1

112.1 Engine Assembly

Item	Part No.	Description	Qty.
28	00001036	Bolt GB/T 5783 M16×50	2
29	00001035	Washer GB/T 93 16	2
30	00000997	Washer GB/T 97.1 16	2
31	92046507	Spline	1
32	10020385	Hose	1
33	50001592	Clamp	5
34	90023935	Fitting	1
35		Fuel filter assembly (refer to 113.1)	1
36	00000678	Bolt GB/T 5783 M10×25	2

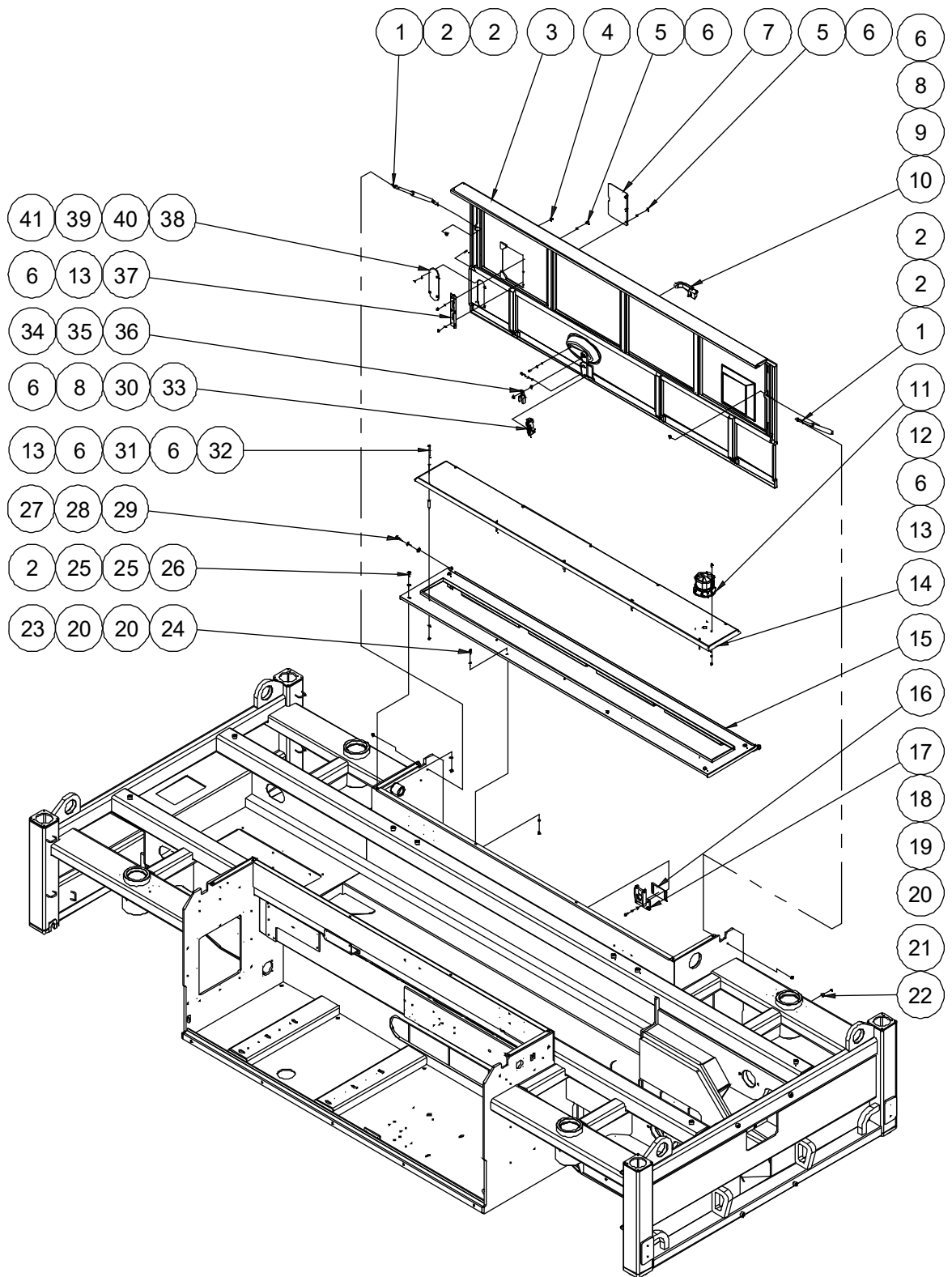
113.1 Fuel Filter Assembly



113.1 Fuel Filter Assembly

Item	Part No.	Description	Qty.
1	90007329	Drilled Screw	2
2	90007331	Washer	2
3	90007330	Fitting	1
4	00001335	Washer JB/T 982 16	2
5	92100611	Fitting	1
6	90029470	Fuel filter	1
--	90031463	Filter element	1
7	90023862	Fitting	1
8	50001592	Clamp	4
9	10004730	Hose	1
10	10020386	Hose	1

114.1 Left Tray Door Installation



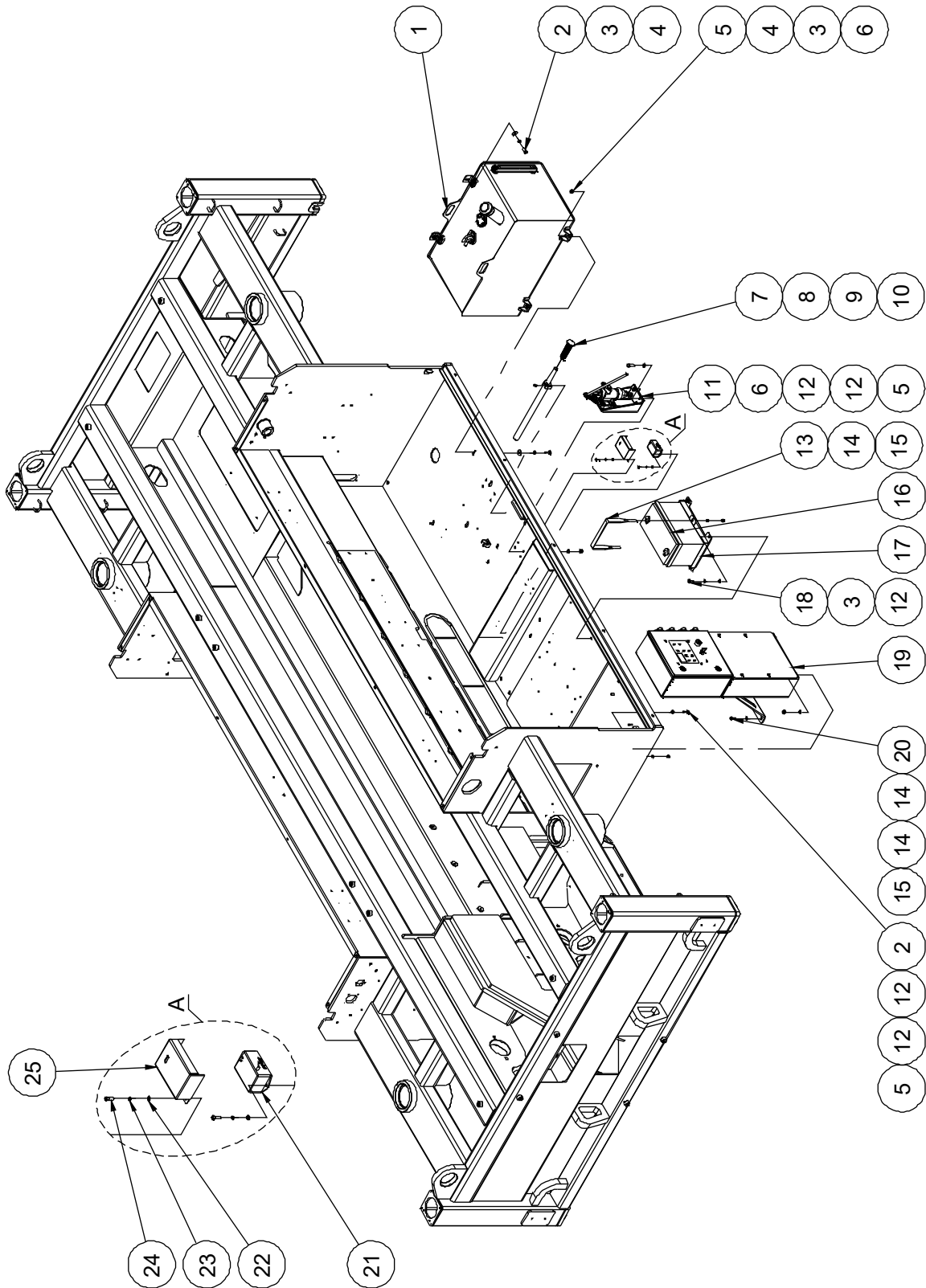
114.1 Left Tray Door Installation

Item	Part No.	Description	Qty.
1	10018398	Gas shock	2
2	00000623	Nut GB/T 6182 M10	8
3	10018393	Left door	1
4	10002550	Magnet	2
5	00001986	Screw GB/T 818 M6×16 - H	6
6	00000620	Washer GB/T 97.1 6	40
7	10010265	Fuel tank door	1
8	00000621	Washer GB/T 93 6	5
9	00000743	Bolt GB/T 5783 M6×20	3
10	50000524	Handle	1
11	00004883	Beacon	1
12	00000774	Screw GB/T 70.1 M6×20	3
13	00001033	Nut GB/T 6182 M6	19
14	10018543	Cover	1
15	10018366	Top panel	1
16	10010444	Washer	1
17	10010254	Lock clasp	1
18	00000875	Bolt GB/T 5783 M8×20	4
19	00000609	Washer GB/T 93 8	4
20	00000608	Washer GB/T 97.1 8	8
21	00002026	Screw GB/T 818 M4×10 - H	2
22	10000376	Bumper	2
23	00001163	Nut GB/T 6182 M8	2
24	00000993	Bolt GB/T 5783 M8×25	2
25	00000615	Washer GB/T 97.1 10	8
26	00000683	Bolt GB/T 5783 M10×30	4
27	00001043	Washer GB/T 97.1 14	2
28	00001258	Washer GB/T 93 14	2
29	10010215	Pin	2

114.1 Left Tray Door Installation

Item	Part No.	Description	Qty.
30	00000619	Bolt GB/T 5783 M6×25	2
31	10010987	Spacer sleeve	10
32	00007023	Bolt GB/T 5782 M6×80	10
33	10000481	Latch	1
34	50000479	Nut	1
35	50000478	Threaded sleeve	1
36	10016135	Bracket	1
37	10002660	Hinge	1
38	10010264	PC plate	1
39	00000778	Washer GB/T 97.1 4	4
40	00001236	Nut GB/T 889.1 M4	4
41	00005259	Screw GB/T 819 M4×14 - H	4

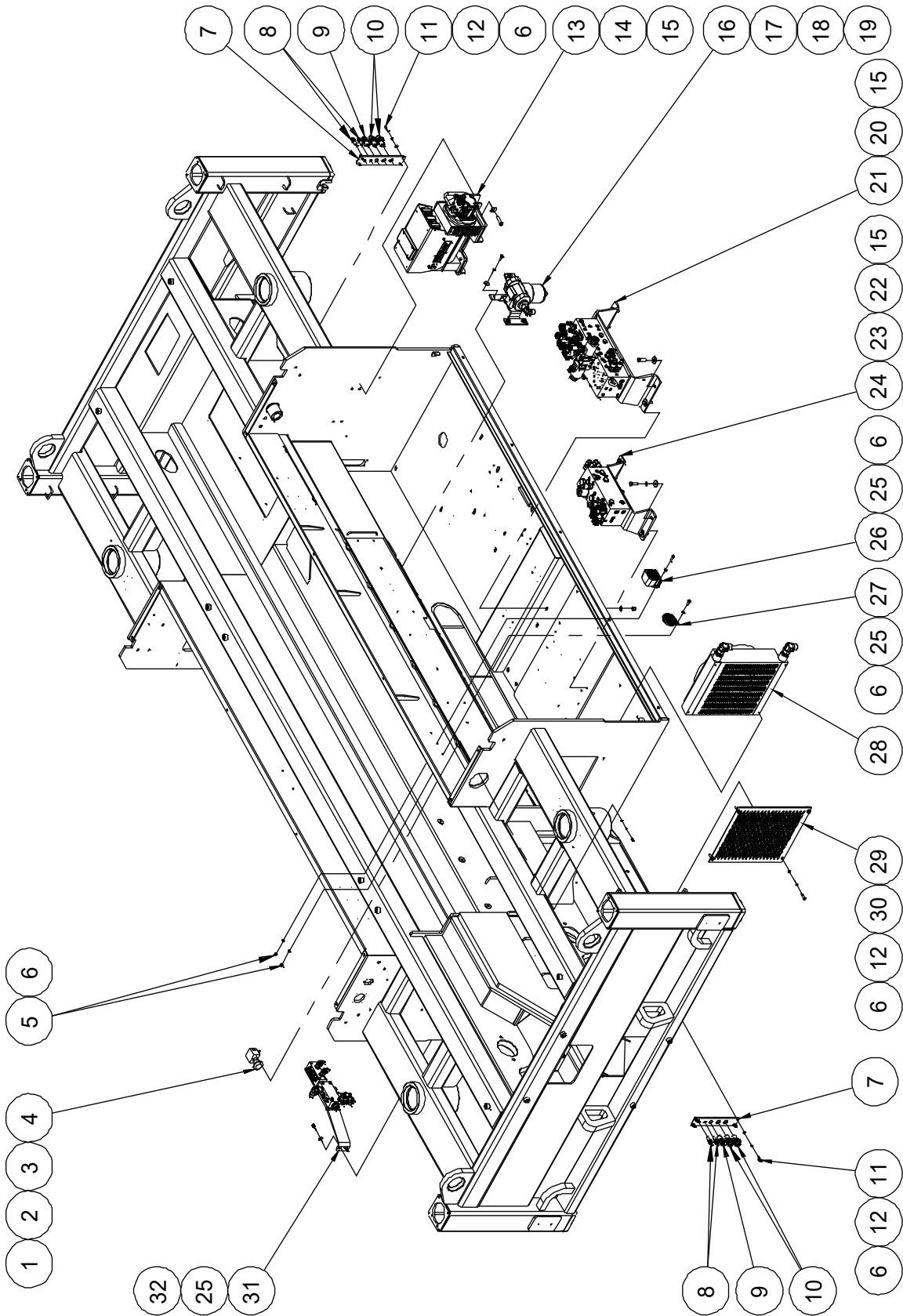
115.1 Left Tray Assembly 1



115.1 Left Tray Assembly 1

Item	Part No.	Description	Qty.
1		Fuel tank assembly (refer to 117.1)	1
2	00000683	Bolt GB/T 5783 M10×30	6
3	00000679	Washer GB/T 93 10	8
4	00001028	Washer GB/T 96.1 10	4
5	00000623	Nut GB/T 6182 M10	10
6	00000684	Bolt GB/T 5783 M10×35	6
7	10004798	Handle grip	1
8	10004795	Handle	1
9	00001824	Clip 32	2
10	00002002	Screw GB/T 70.1 M4×10	2
11		Manual pump assembly (refer to 118.1)	1
12	00000615	Washer GB/T 97.1 10	20
13	10004590	Battery strap	1
14	00000608	Washer GB/T 97.1 8	2
15	00001163	Nut GB/T 6182 M8	4
16	00004485	Battery	1
17	50005157	Battery box weldment	1
18	00000674	Bolt GB/T 5783 M10×20	4
19		Ground control installation (refer to 119.1)	1
20	00000993	Bolt GB/T 5783 M8×25	2
21	00003962	Tilt sensor	1
22	00000605	Washer GB/T 97.1 5	4
23	00000606	Washer GB/T 93 5	4
24	00001246	Screw GB/T 70.1 M5×16	4
25	10003942	Tilt sensor cover	1

116.1 Left Tray Assembly 2



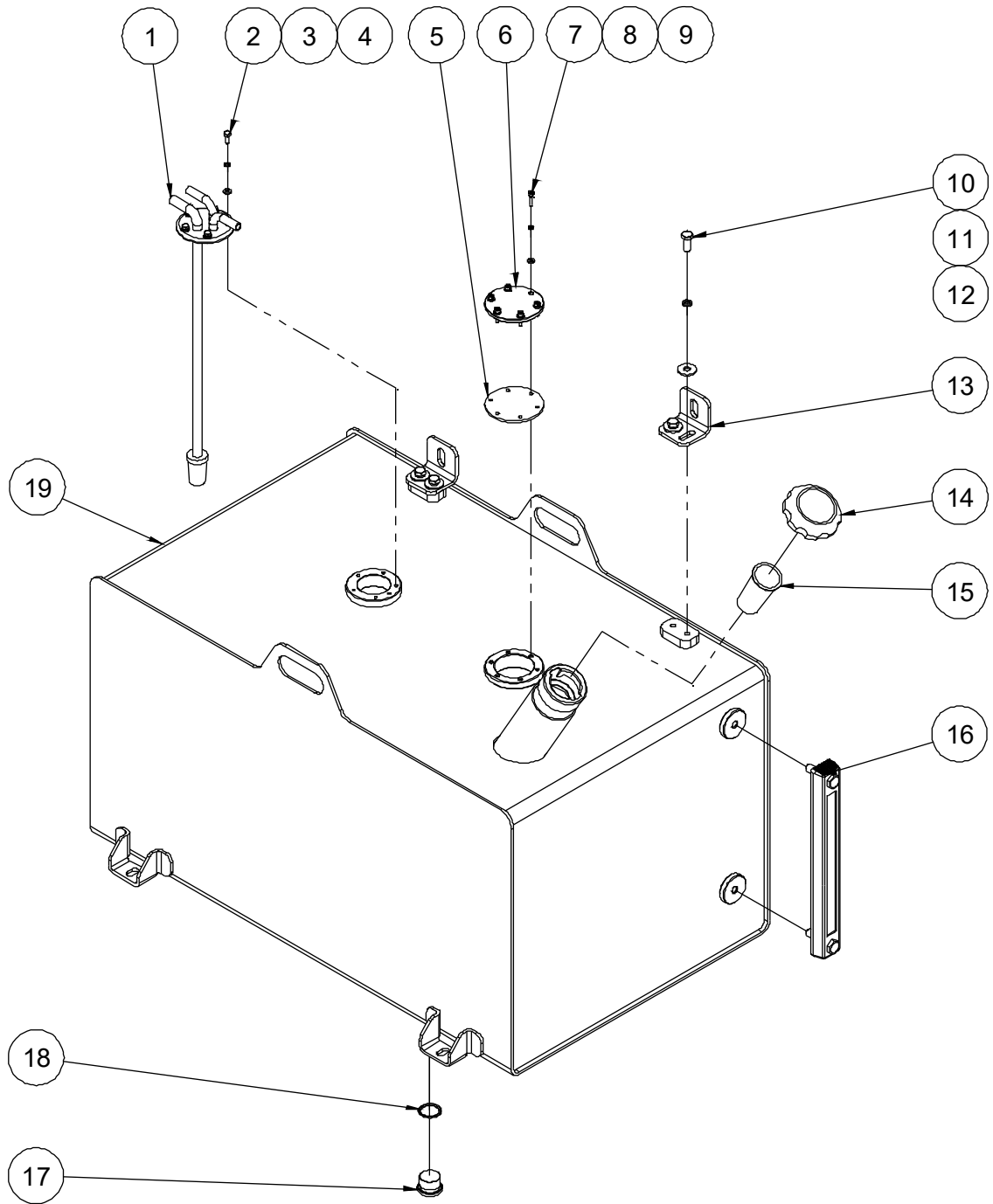
116.1 Left Tray Assembly 2

Item	Part No.	Description	Qty.
1	00000605	Washer GB/T 97.1 5	2
2	00000606	Washer GB/T 93 5	2
3	00000607	Screw GB/T 818 M5×12 - H	2
4	00000655	Power switch	1
5	00001163	Nut GB/T 6182 M8	2
6	00000608	Washer GB/T 97.1 8	17
7	10018527	Plate	2
8	00002135	Straight fitting	4
9	00002138	Straight fitting	2
10	00002145	Straight fitting	4
11	00001061	Screw GB/T 70.1 M8×20	8
12	00000609	Washer GB/T 93 8	12
13		Alternator assembly (option) (refer to 122.1)	1
14	00000602	Bolt GB/T 5782 M12×45	4
15	00002601	Washer GB/T 96.1 12	12
16		High pressure line filter assembly (refer to 123.1)	1
17	00000678	Bolt GB/T 5783 M10×25	4
18	00000679	Washer GB/T 93 10	4
19	00001028	Washer GB/T 96.1 10	4
20	00002452	Bolt GB/T 5783 M12×45	4
21		Function manifold assembly (refer to 124.1)	1
22	00000815	Washer GB/T 93 12	4
23	00001055	Bolt GB/T 5783 M12×40	4
24		Drive manifold assembly (refer to 125.1)	1
25	00000993	Bolt GB/T 5783 M8×25	5
26	00004438	Alarm	1
27	00002212	Horn	1
28		Oil cooler assembly (refer to 126.1)	1
29	10020179	Oil cooler cover	1

116.1 Left Tray Assembly 2

Item	Part No.	Description	Qty.
30	00002488	Bolt GB/T 5783 M8×35	4
31		Hydraulic hoses manifold assembly (refer to 127.1)	1
32	00002000	Washer GB/T 96.1 8	2

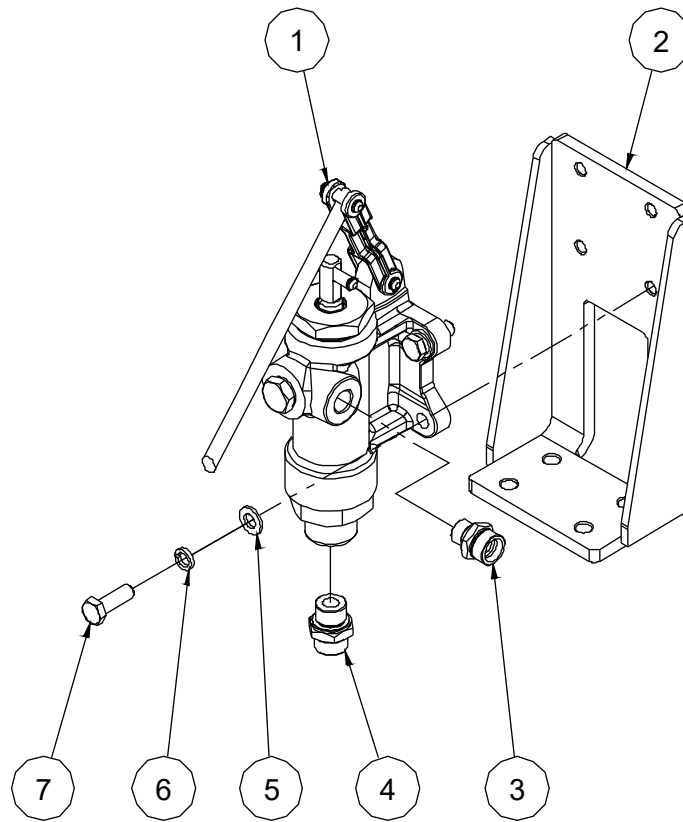
117.1 Fuel Tank Assembly



117.1 Fuel Tank Assembly

Item	Part No.	Description	Qty.
1	10011554	Pipe	1
2	00002246	Bolt GB/T 5783 M5×12	5
3	00000606	Washer GB/T 93 5	5
4	00000605	Washer GB/T 97.1 5	5
5	10004793	Rubber pad	1
6	10004792	Cover	1
7	00000604	Screw GB/T 70.1 M4×16	6
8	00000779	Washer GB/T 93 4	6
9	00000778	Washer GB/T 97.1 4	6
10	00000875	Bolt GB/T 5783 M8×20	4
11	00000609	Washer GB/T 93 8	4
12	00002000	Washer GB/T 96.1 8	4
13	50003005	Bracket	2
14	00002153	Tank cover	1
15	00002154	Filter web	1
16	00008091	Level gauge	1
17	50000197	G3/4 Plug	1
18	50000523	Washer	1
19	10011804	Fuel tank weldment	1

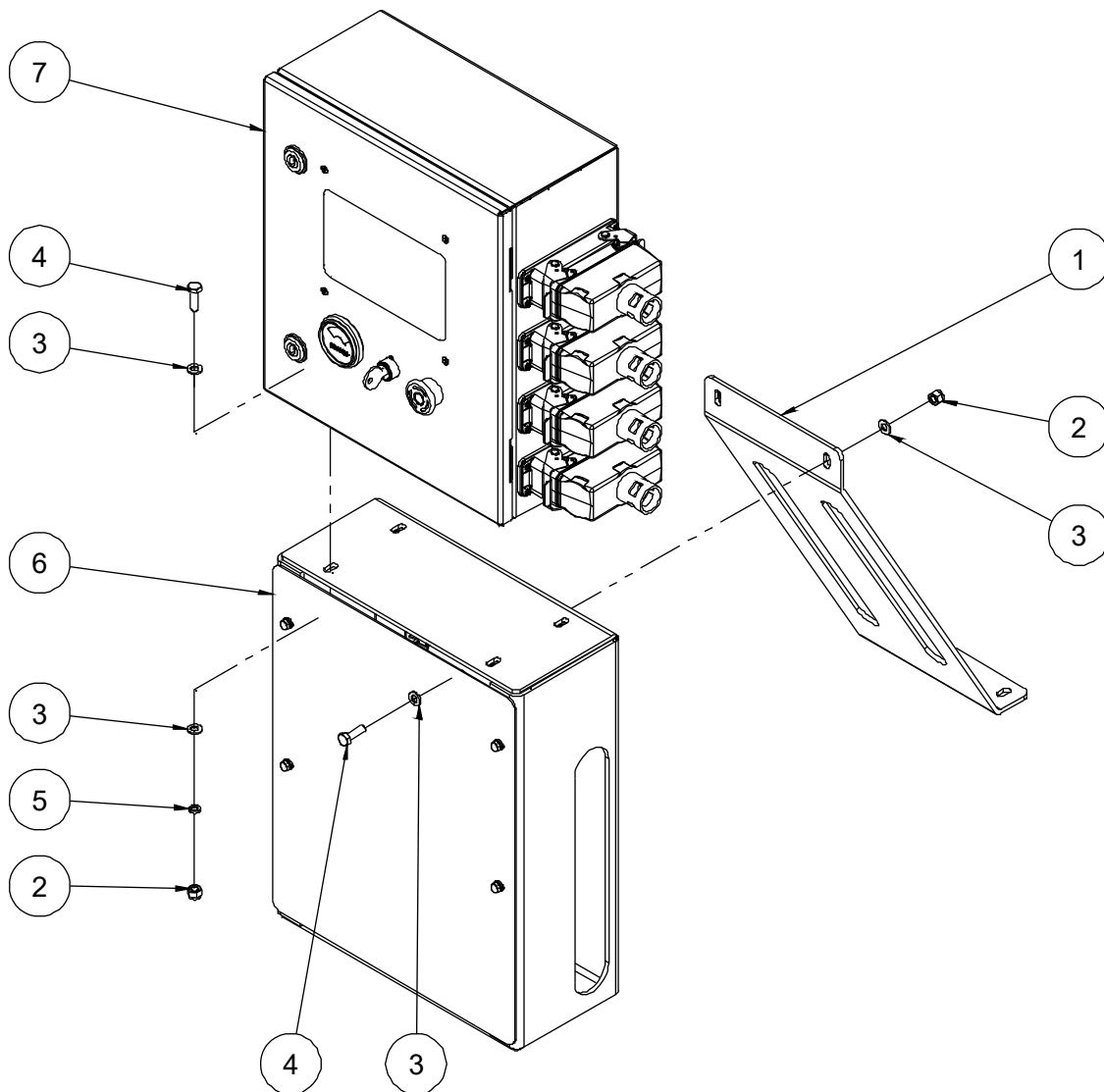
118.1 Manual Pump Assembly



118.1 Manual Pump Assembly

Item	Part No.	Description	Qty.
1	00000315	Manual pump	1
2	10004781	Manual pump bracket	1
3	00001507	Straight fitting	1
4	00001506	Straight fitting	1
5	00000615	Washer GB/T 97.1 10	4
6	00000679	Washer GB/T 93 10	4
7	00000683	Bolt GB/T 5783 M10×30	4

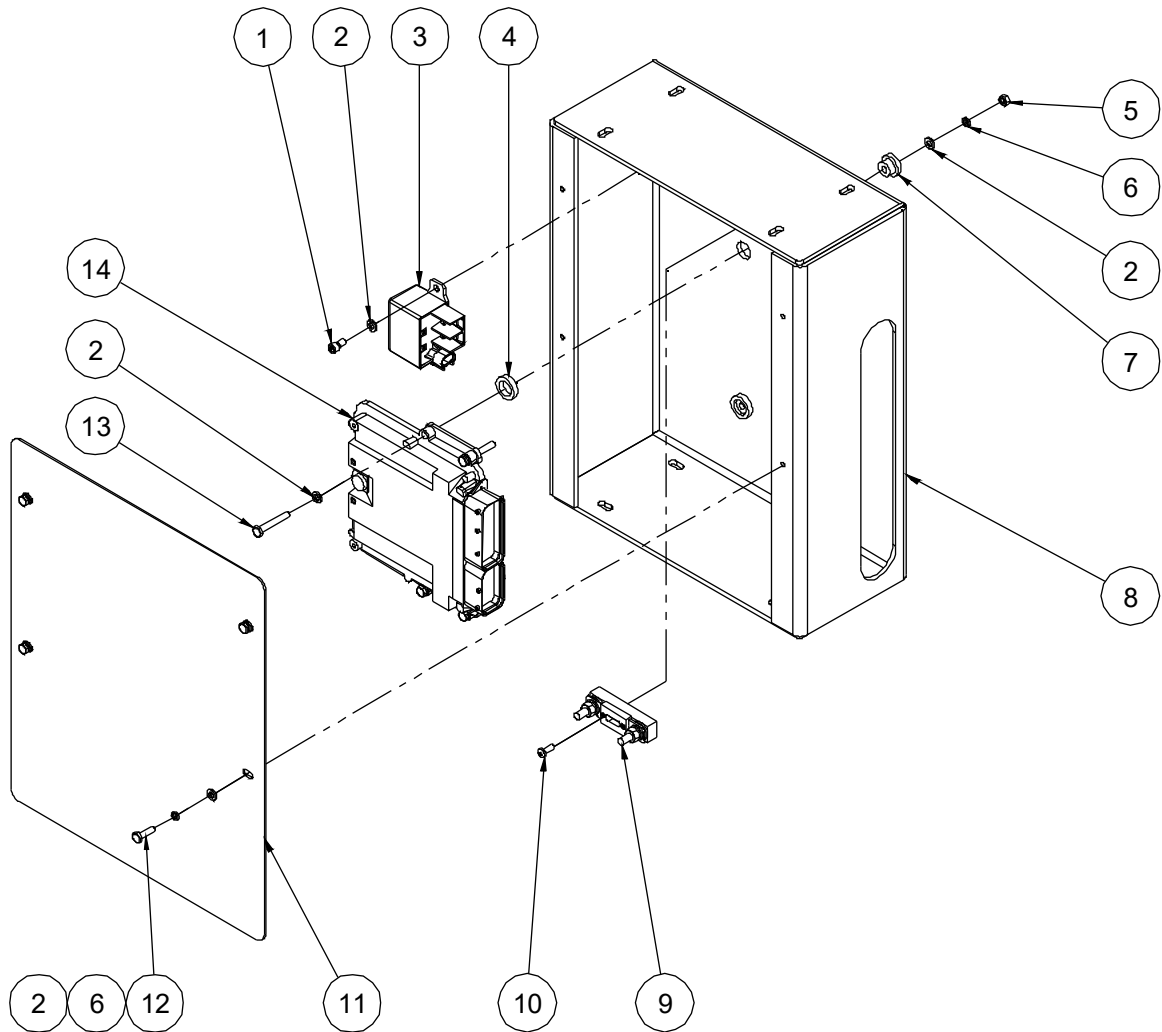
119.1 Ground Control Installation



119.1 Ground Control Installation

Item	Part No.	Description	Qty.
1	10009589	Bracket	1
2	00001163	Nut GB/T 6182 M8	6
3	00000608	Washer GB/T 97.1 8	12
4	00000993	Bolt GB/T 5783 M8×25	6
5	00000609	Washer GB/T 93 8	4
6		Ground control box support assembly (refer to 120.1)	1
7		Ground control box assembly (refer to 121.1)	1

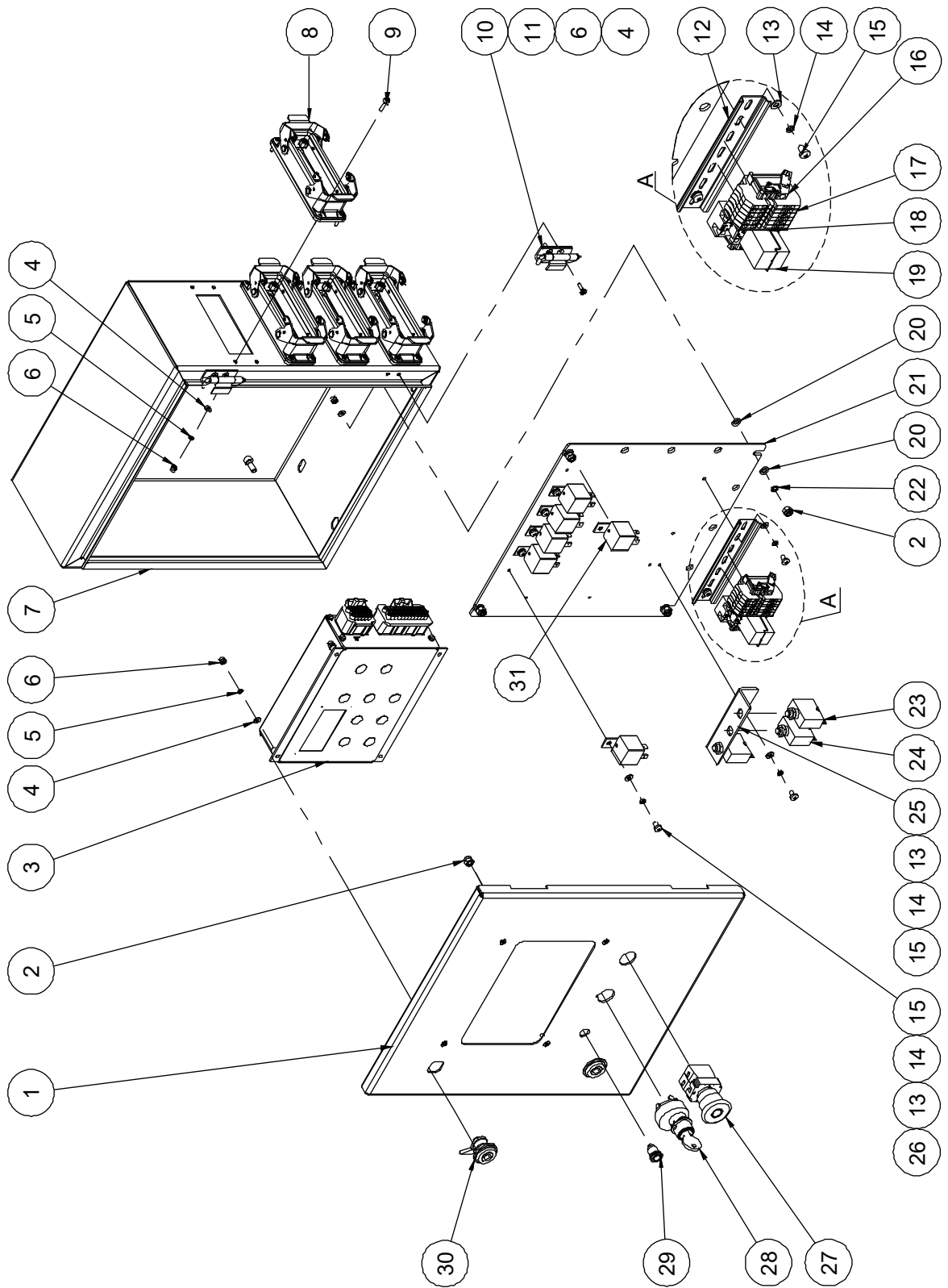
120.1 Ground Control Box Support Assembly



120.1 Ground Control Box Support Assembly

Item	Part No.	Description	Qty.
1	00002029	Screw GB/T 70.1 M6×12	2
2	00000620	Washer GB/T 97.1 6	14
3	00002918	DC Contactor	1
4	50002380	Nylon insulator	4
5	00002247	Nut GB/T 6170 M6	4
6	00000621	Washer GB/T 93 6	8
7	50002379	Nylon insulator	4
8	10013765	Ground control box support	1
9	00002074	150A Fuse assembly	1
--	00000757	Fuse seat	1
--	00002562	150A Fuse	1
10	00002313	Screw GB/T 818 M5×14 - H	2
11	10005205	Cover	1
12	00000743	Bolt GB/T 5783 M6×20	4
13	00002559	Bolt GB/T 5783 M6×40	4
14	00002594	ECU	1

121.1 Ground Control Box Assembly



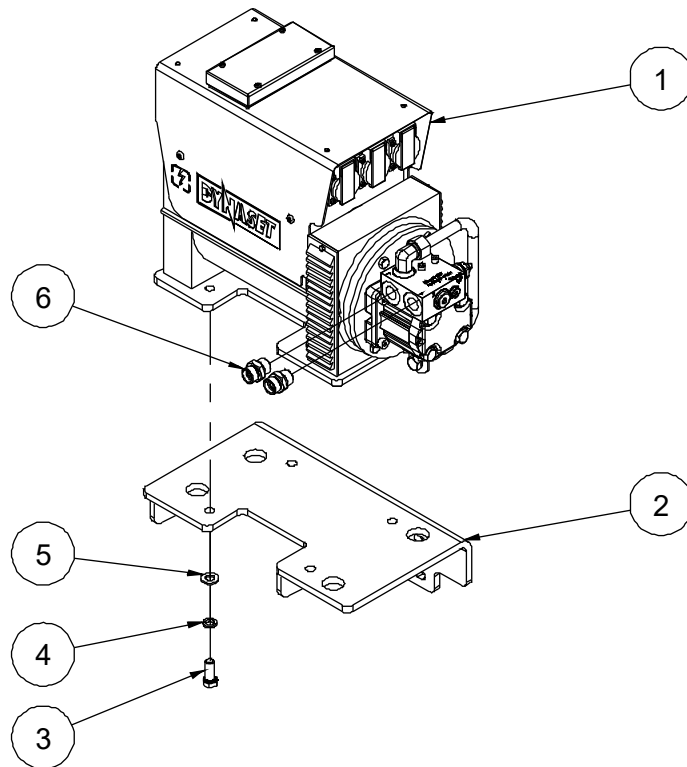
121.1 Ground Control Box Assembly

Item	Part No.	Description	Qty.
1	10020084	Ground control box cover	1
2	00000742	Nut GB/T 889.1 M6	6
3	00007940	Controller	1
4	00000778	Washer GB/T 97.1 4	24
5	00000779	Washer GB/T 93 4	20
6	00001236	Nut GB/T 889.1 M4	24
7	10013771	Ground control box weldment	1
8	00000732	Housing	4
9	00000604	Screw GB/T 70.1 M4×16	16
10	50000217	Hinge	2
11	00005259	Screw GB/T 819 M4×14 - H	4
12	10004977	Terminal rail	1
13	00000605	Washer GB/T 97.1 5	10
14	00000606	Washer GB/T 93 5	10
15	00002391	Screw GB/T 818 M5×8 - H	10
16	00000660	End, Fixation	2
17	00000659	End, Straight	6
18	00002593	End, Plate	1
19	00000647	Relay	1
20	00000620	Washer GB/T 97.1 6	8
21	10013770	Mounting plate	1
22	00000621	Washer GB/T 93 6	4
23	00002597	Circuit breaker	2
24	00002208	Circuit breaker	1
25	10004973	Circuit breaker bracket	1
26	00002206	Relay	5
27	00000923	Emergency stop switch	1
--	00000754	Red mushroom head	1
--	00000752	Base with 1 NC contact	1

121.1 Ground Control Box Assembly

Item	Part No.	Description	Qty.
--	00001245	NC contact	1
28	00001243	Key switch (key removable in off position)	1
	00003356	Key switch (key removable in all position)	1
--	00003050	Key	1
29	00003162	LED (red)	1
30	00001296	Latch, Column	2
31	00005290	Relay	1

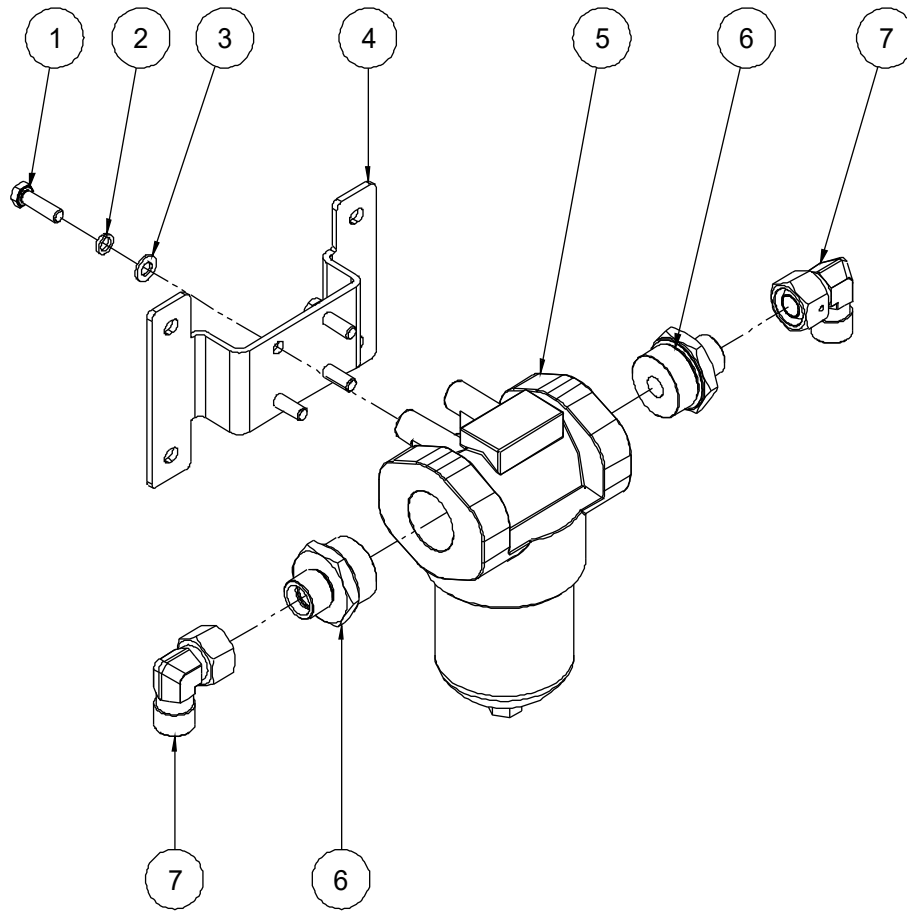
122.1 Alternator Assembly (option)



122.1 Alternator Assembly (option)

Item	Part No.	Description	Qty.
1	00008004	Alternator (110V)	1
	00008094	Alternator (220V)	1
2	10016463	Alternator bracket	1
3	00002059	Bolt GB/T 5783 M12×30	1
4	00000815	Washer GB/T 93 12	1
5	00000814	Washer GB/T 97.1 12	1
6	00001506	Straight fitting	2

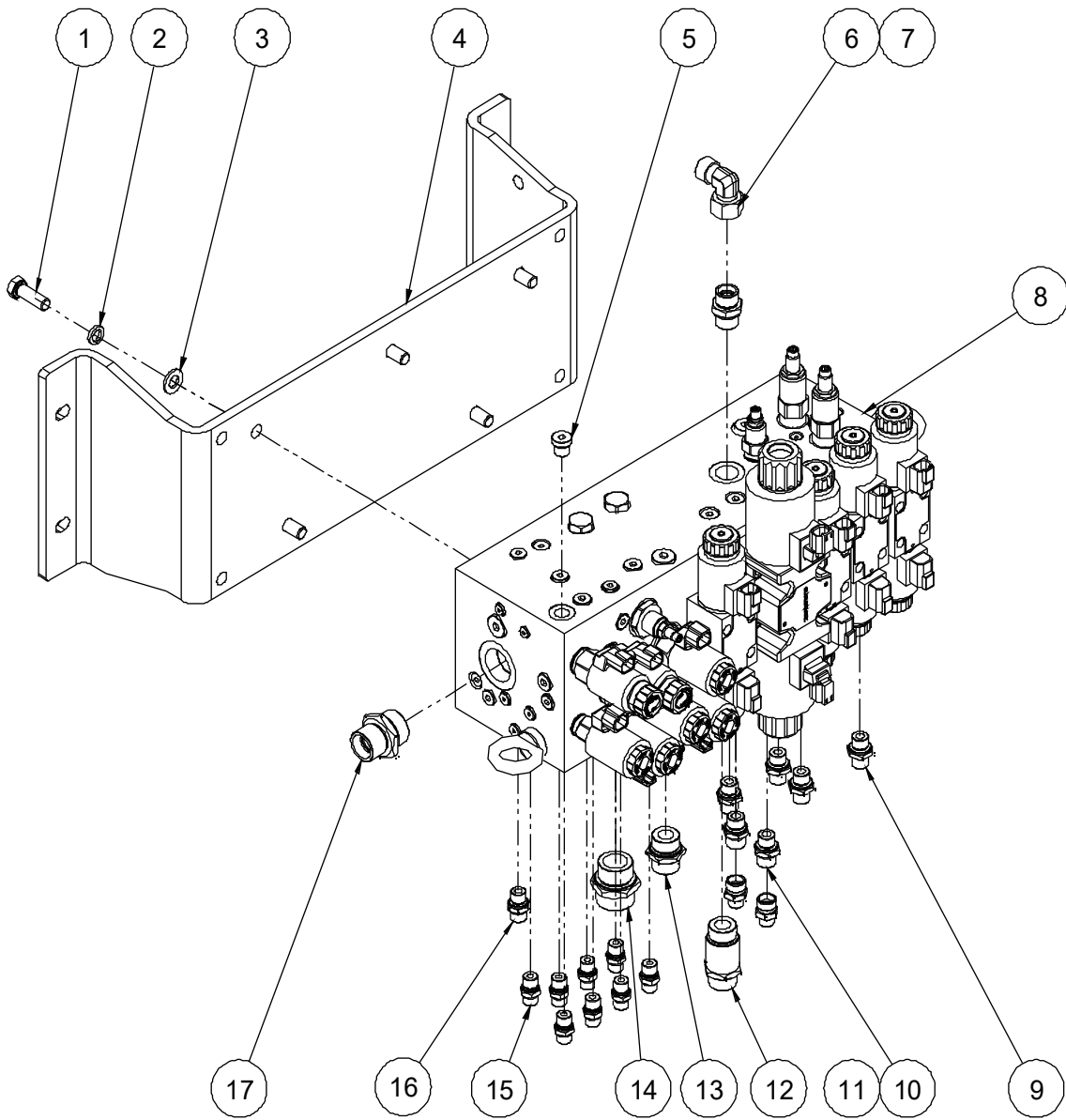
123.1 High Pressure Line Filter Assembly



123.1 High Pressure Line Filter Assembly

Item	Part No.	Description	Qty.
1	00000684	Bolt GB/T 5783 M10×35	4
2	00000679	Washer GB/T 93 10	4
3	00000615	Washer GB/T 97.1 10	4
4	10015671	Filter bracket	1
5	00001871	High pressure line filter	1
--	00004696	Filter element	1
6	00003963	Straight fitting	2
7	00001842	Elbow	2

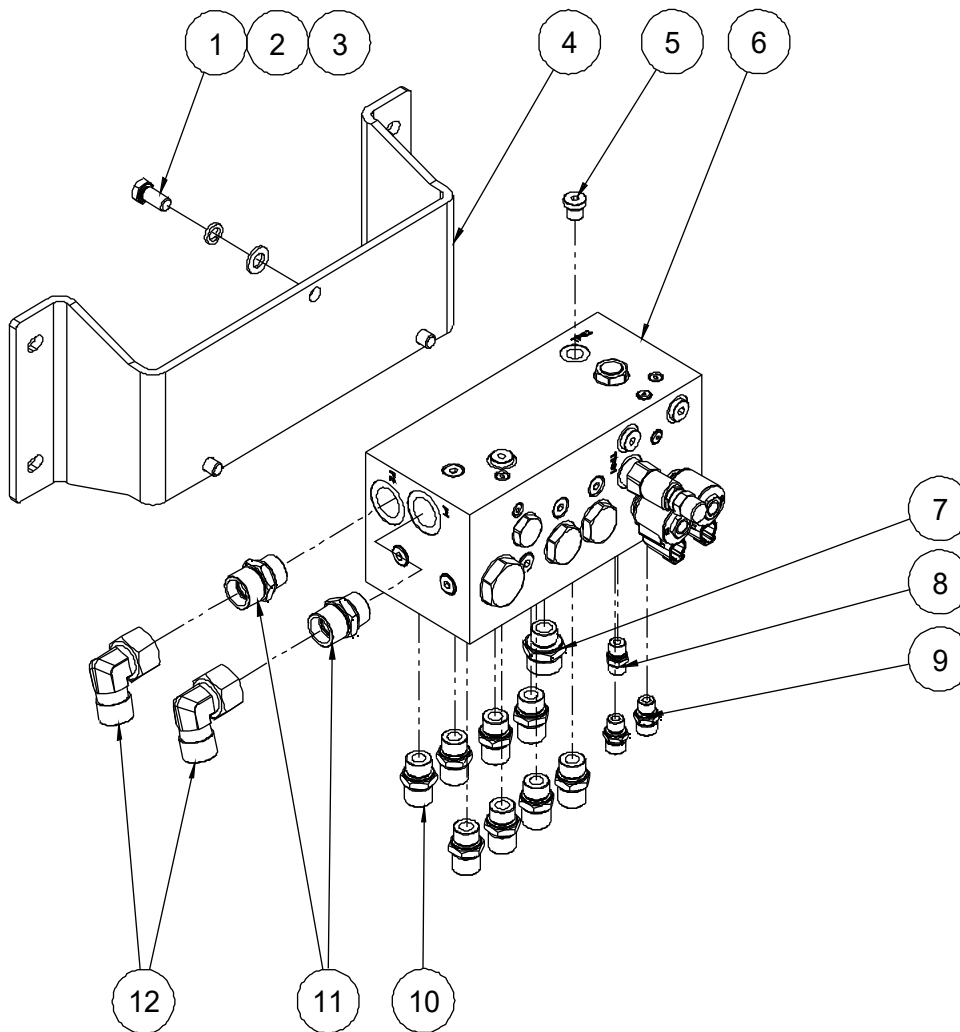
124.1 Function Manifold Assembly



124.1 Function Manifold Assembly

Item	Part No.	Description	Qty.
1	00002046	Bolt GB/T 5783 M12×35	5
2	00000815	Washer GB/T 93 12	5
3	00000814	Washer GB/T 97.1 12	9
4	10018235	Bracket	1
5	00001073	Plug VSTI14×1.5ED	1
6	00001835	Elbow	1
7	00001266	Straight fitting	2
8		Function manifold (refer to 404.1, 404.2)	1
9	00002921	Straight fitting	4
10	00001294	Straight fitting	2
11	00009112	Straight fitting	2
12	00008831	Straight fitting	1
13	00008469	Straight fitting	1
14	00002071	Straight fitting	1
15	00001282	Straight fitting	8
16	00001290	Straight fitting	1
17	00003692	Straight fitting	1

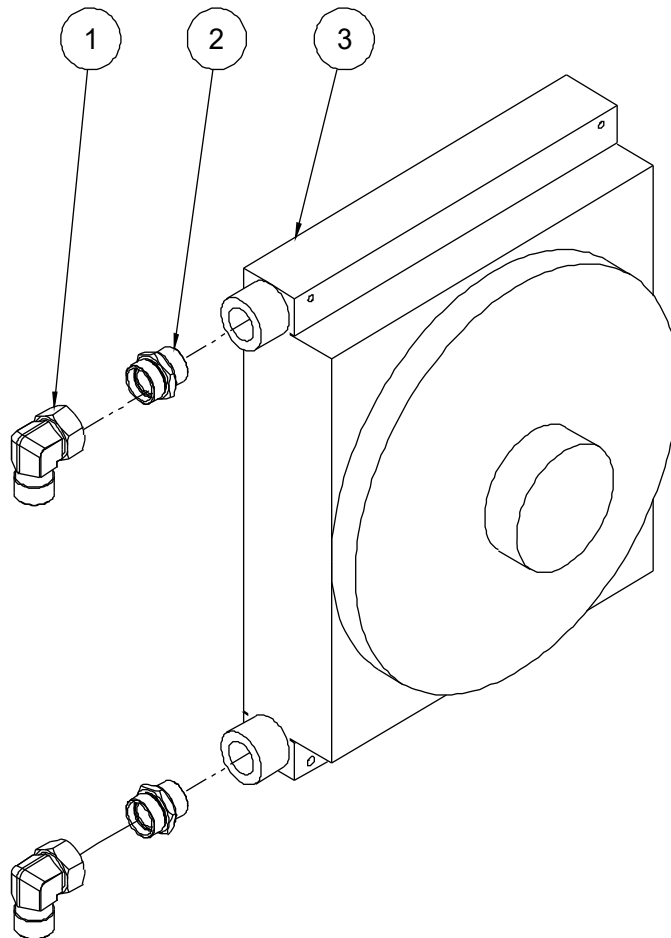
125.1 Drive Manifold Assembly



125.1 Drive Manifold Assembly

Item	Part No.	Description	Qty.
1	00000816	Bolt GB/T 5783 M12×25	3
2	00000815	Washer GB/T 93 12	3
3	00000814	Washer GB/T 97.1 12	3
4	10018086	Drive manifold bracket	1
5	00001073	Plug VST114×1.5ED	2
6		Drive manifold (refer to 405.1)	1
7	00001270	Straight fitting	1
8	00001282	Straight fitting	1
9	00001261	Straight fitting	2
10	00001283	Straight fitting	8
11	00001285	Straight fitting	2
12	00001842	Elbow	2

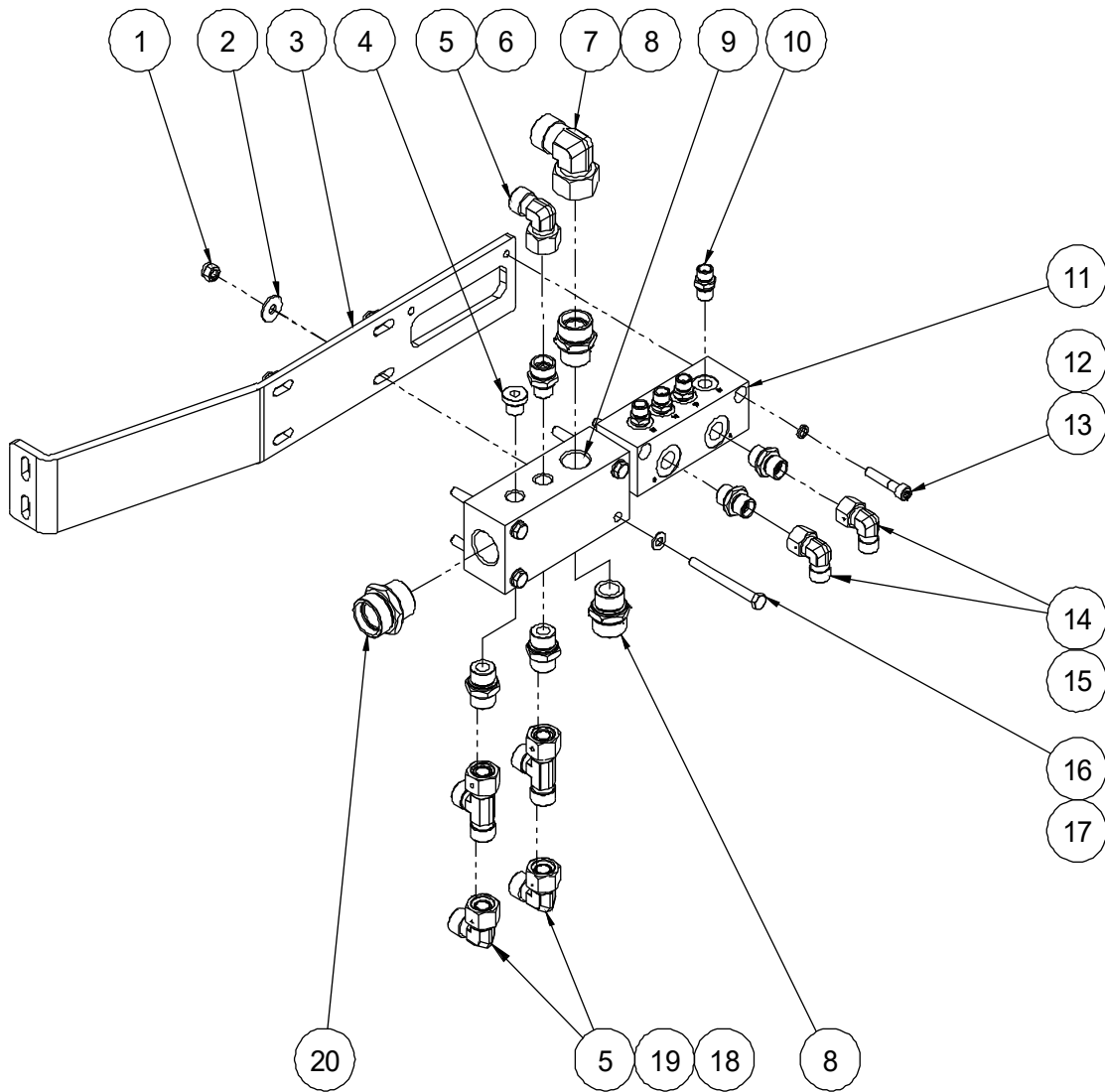
126.1 Oil Cooler Assembly



126.1 Oil Cooler Assembly

Item	Part No.	Description	Qty.
1	00001837	Elbow	2
2	00002071	Straight fitting	2
3	00003941	Oil cooler	1

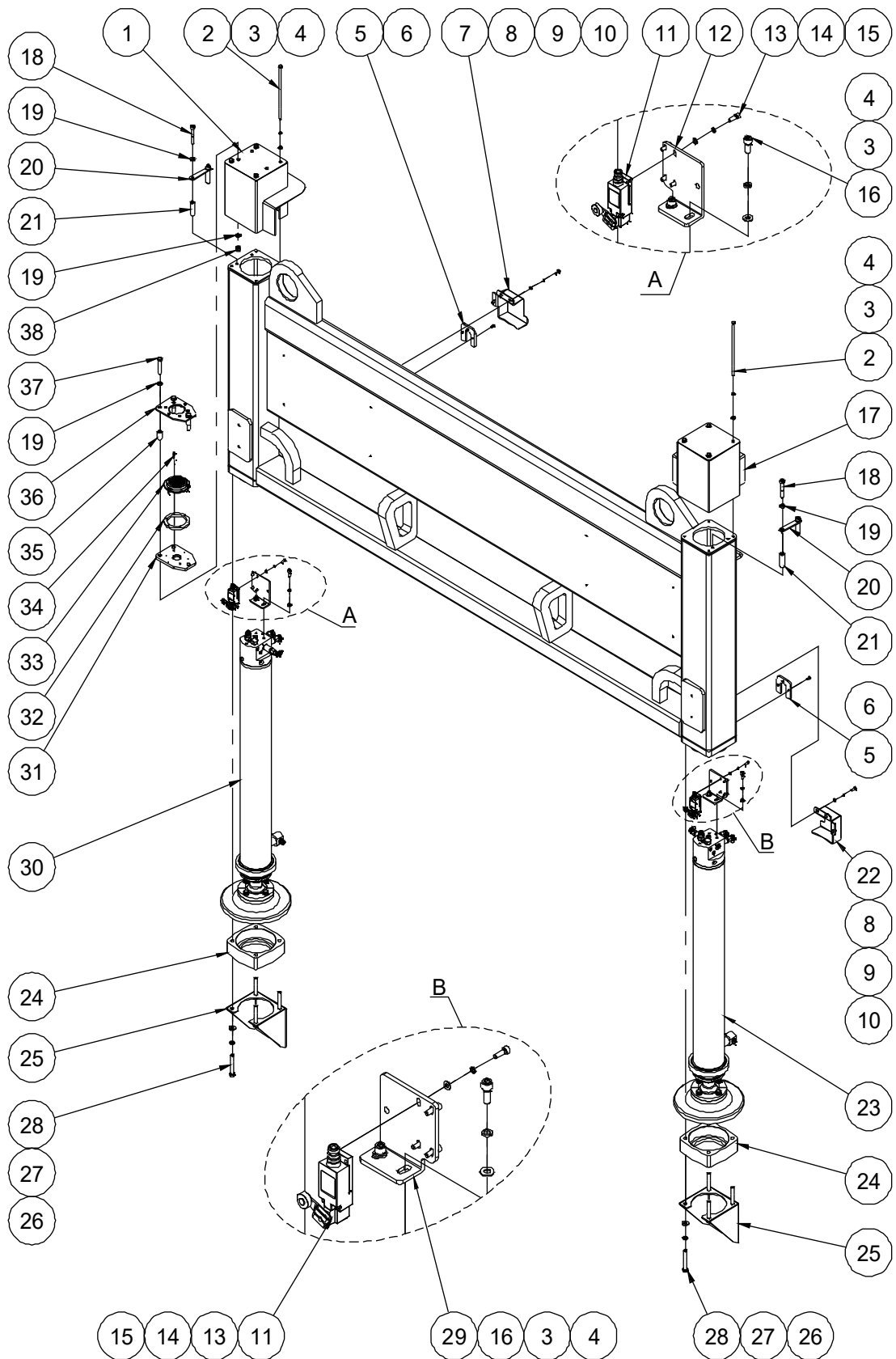
127.1 Hydraulic Hoses Manifold Assembly



127.1 Hydraulic Hoses Manifold Assembly

Item	Part No.	Description	Qty.
1	00001163	Nut GB/T 6182 M8	4
2	00002000	Washer GB/T 96.1 8	4
3	10017983	Manifold bracket	1
4	00001074	Plug VST116×1.5ED	1
5	00001835	Elbow	3
6	00001265	Straight fitting	1
7	00001836	Elbow	1
8	00001269	Straight fitting	2
9	00002183	Manifold	1
10	00001282	Straight fitting	8
11	00009110	Transition manifold	1
12	00000609	Washer GB/T 93 8	2
13	00000744	Screw GB/T 70.1 M8×40	2
14	00001834	Elbow	2
15	00001262	Straight fitting	2
16	00001026	Bolt GB/T 5782 M8×80	4
17	00000608	Washer GB/T 97.1 8	4
18	00001266	Straight fitting	2
19	00001240	Tee fitting	2
20	00002071	Straight fitting	1

128.1 Outriggers Assembly



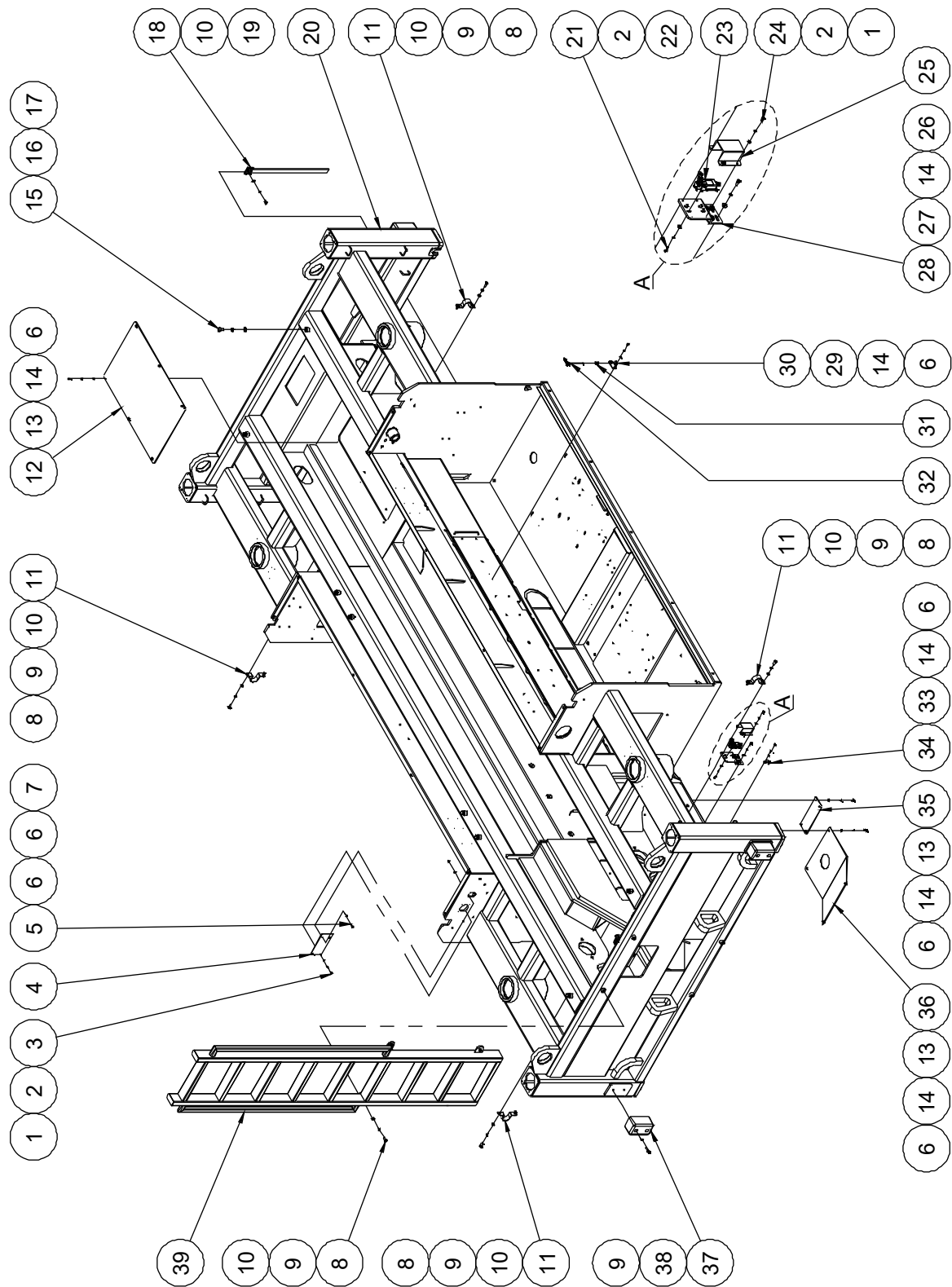
128.1 Outriggers Assembly

Item	Part No.	Description	Qty.
1	10012159	Outrigger cover	1
2	00007660	Bolt GB/T 5782 M8×220	8
3	00000609	Washer GB/T 93 8	12
4	00000608	Washer GB/T 97.1 8	12
5	10010273	Rubber block	2
6	00000829	Screw GB/T 70.3 M6×12	6
7	10021581	Cover	1
8	00000620	Washer GB/T 97.1 6	6
9	00000621	Washer GB/T 93 6	6
10	00000818	Bolt GB/T 5783 M6×16	6
11	00000748	Limit switch	2
12	10010155	Switch bracket	1
13	00001246	Screw GB/T 70.1 M5×16	8
14	00000606	Washer GB/T 93 5	8
15	00000605	Washer GB/T 97.1 5	8
16	00001061	Screw GB/T 70.1 M8×20	4
17	10010981	Outrigger cover	1
18	00002563	Screw GB/T 70.1 M10×65	4
19	00000615	Washer GB/T 97.1 10	4
20	10010158	Signal plate	2
21	10010173	Spacer sleeve	4
22	10021582	Cover	1
23		Left outrigger cylinder assembly (without seal kit) (refer to 402.1)	1
24	10010132	Outrigger seat	2
25	10012523	Outrigger support frame	2
26	00000814	Washer GB/T 97.1 12	8
27	00000815	Washer GB/T 93 12	8
28	00002527	Bolt GB/T 5782 M12×80	8

128.1 Outriggers Assembly

Item	Part No.	Description	Qty.
29	10010157	Switch bracket	1
30		Right outrigger cylinder assembly (without seal kit) (refer to 403.1)	1
31	10012155	Bubble level mount plate	1
32	10004271	Rubber pad	1
33	10004259	Bubble level	1
34	00000817	Screw GB/T 70.1 M5×20	3
35	10012156	Spacer sleeve	3
36	10012157	Bubble level cover	1
37	00002508	Bolt GB/T 5783 M10×60	3
38	00000623	Nut GB/T 6182 M10	3

129.1 Ladder and Chassis Accessory Installation



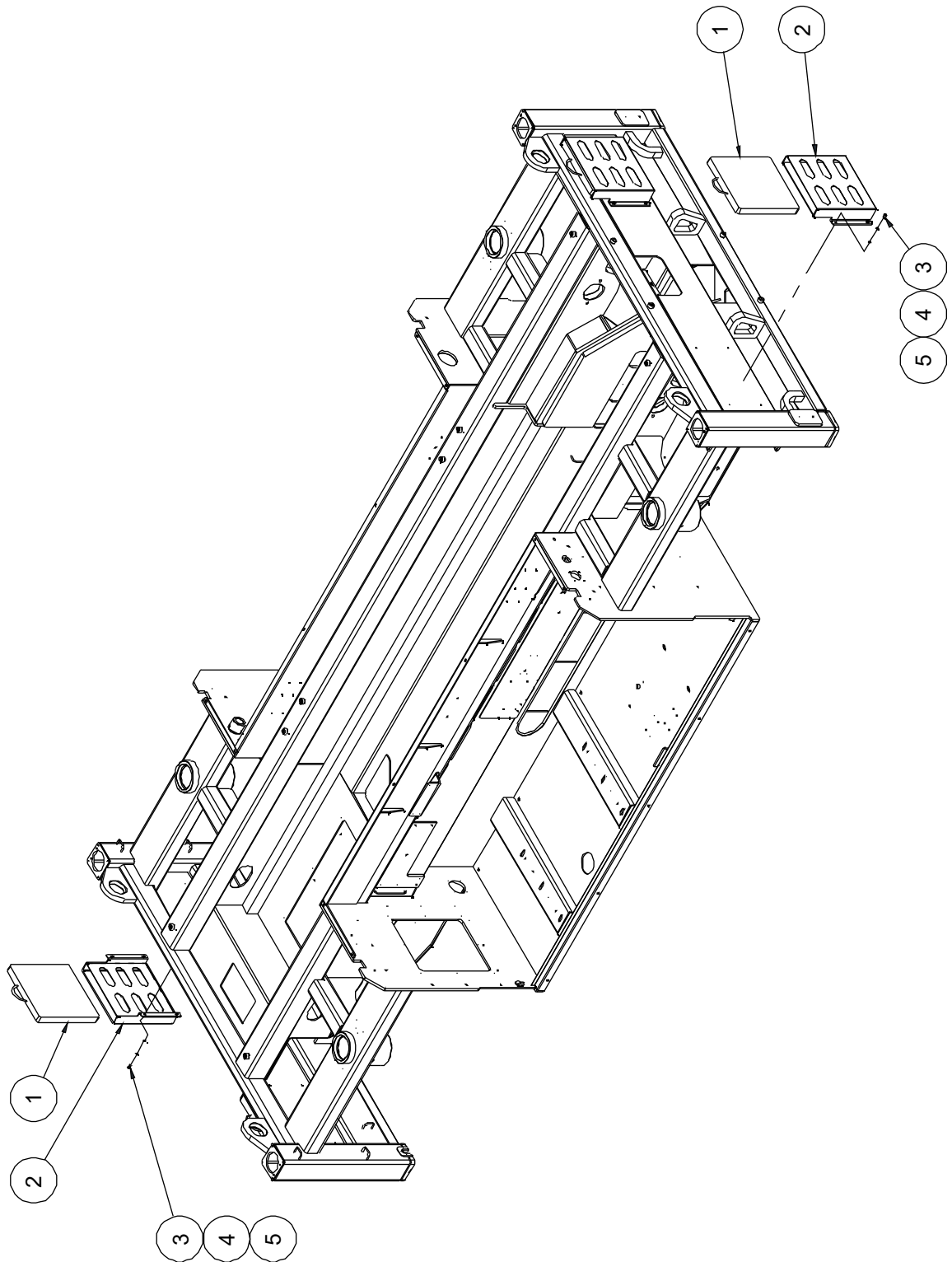
129.1 Ladder and Chassis Accessory Installation

Item	Part No.	Description	Qty.
1	00000605	Washer GB/T 97.1 5	10
2	00000606	Washer GB/T 93 5	18
3	00002246	Bolt GB/T 5783 M5×12	2
4	10018521	Cover	1
5	00000775	Bolt GB/T 5783 M6×30	2
6	00000620	Washer GB/T 97.1 6	24
7	00001033	Nut GB/T 6182 M6	2
8	00000678	Bolt GB/T 5783 M10×25	12
9	00000679	Washer GB/T 93 10	21
10	00000615	Washer GB/T 97.1 10	13
11	10014075	Clamp	4
12	10018476	Cover	1
13	00000818	Bolt GB/T 5783 M6×16	14
14	00000621	Washer GB/T 93 6	28
15	00006696	Bolt GB/T 5783 M16×25	12
16	00001035	Washer GB/T 93 16	12
17	00000997	Washer GB/T 97.1 16	12
18	00000669	Ground strap	1
19	00000674	Bolt GB/T 5783 M10×20	1
20	10018303	Frame weldment	1
21	00001246	Screw GB/T 70.1 M5×16	8
22	00003545	Washer GB/T 96.1 5	8
23	00000748	Limit switch	2
24	00001252	Screw GB/T 70.1 M5×12	8
25	10011485	Switch cover	2
26	00002583	Washer GB/T 96.1 6	8
27	00000876	Screw GB/T 70.1 M6×16	8
28	10017502	Switch bracket	2
29	00000745	Bolt GB/T 5783 M6×12	2

129.1 Ladder and Chassis Accessory Installation

Item	Part No.	Description	Qty.
30	10012522	Bracket	1
31	00001825	Water-proof joint M12	1
32	00006828	Wrench GB/T 5356-3	1
33	00000743	Bolt GB/T 5783 M6×20	4
34	00002727	Clamp 16 JB/ZQ 4492-2006	2
35	10020444	Cover	1
36	10018482	Cover	1
37	10010171	Bumper	4
38	00001059	Screw GB/T 70.1 M10×30	8
39	10018516	Ladder	1

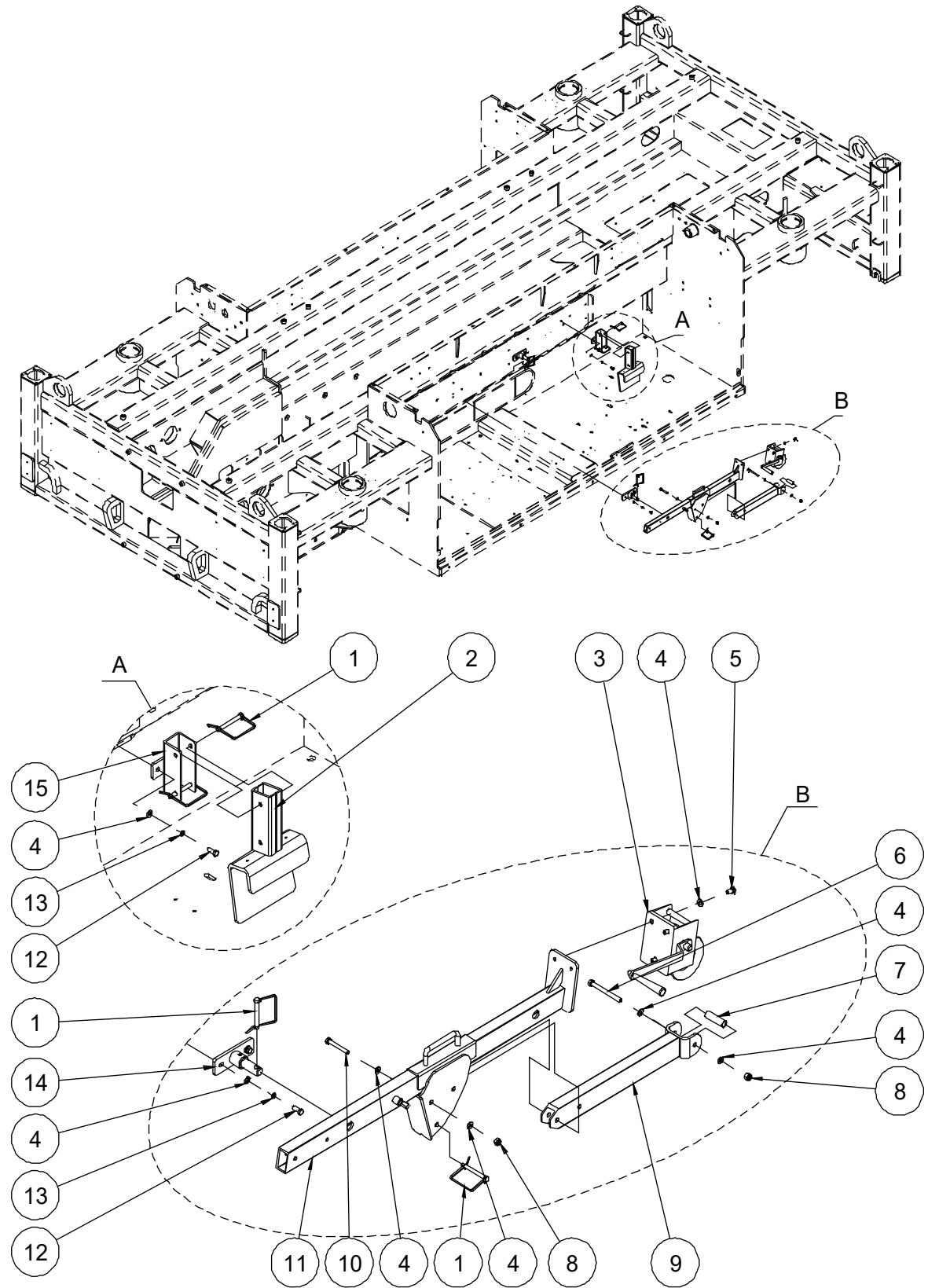
130.1 Outrigger Plate (Option)



130.1 Outrigger Plate (Option)

Item	Part No.	Description	Qty.
1	10018531	Outrigger plate	4
2	10018534	Plate box weldment	4
3	00001063	Bolt GB/T 5783 M8×16	16
4	00000609	Washer GB/T 93 8	16
5	00000608	Washer GB/T 97.1 8	16

131.1 Guardrail turning device

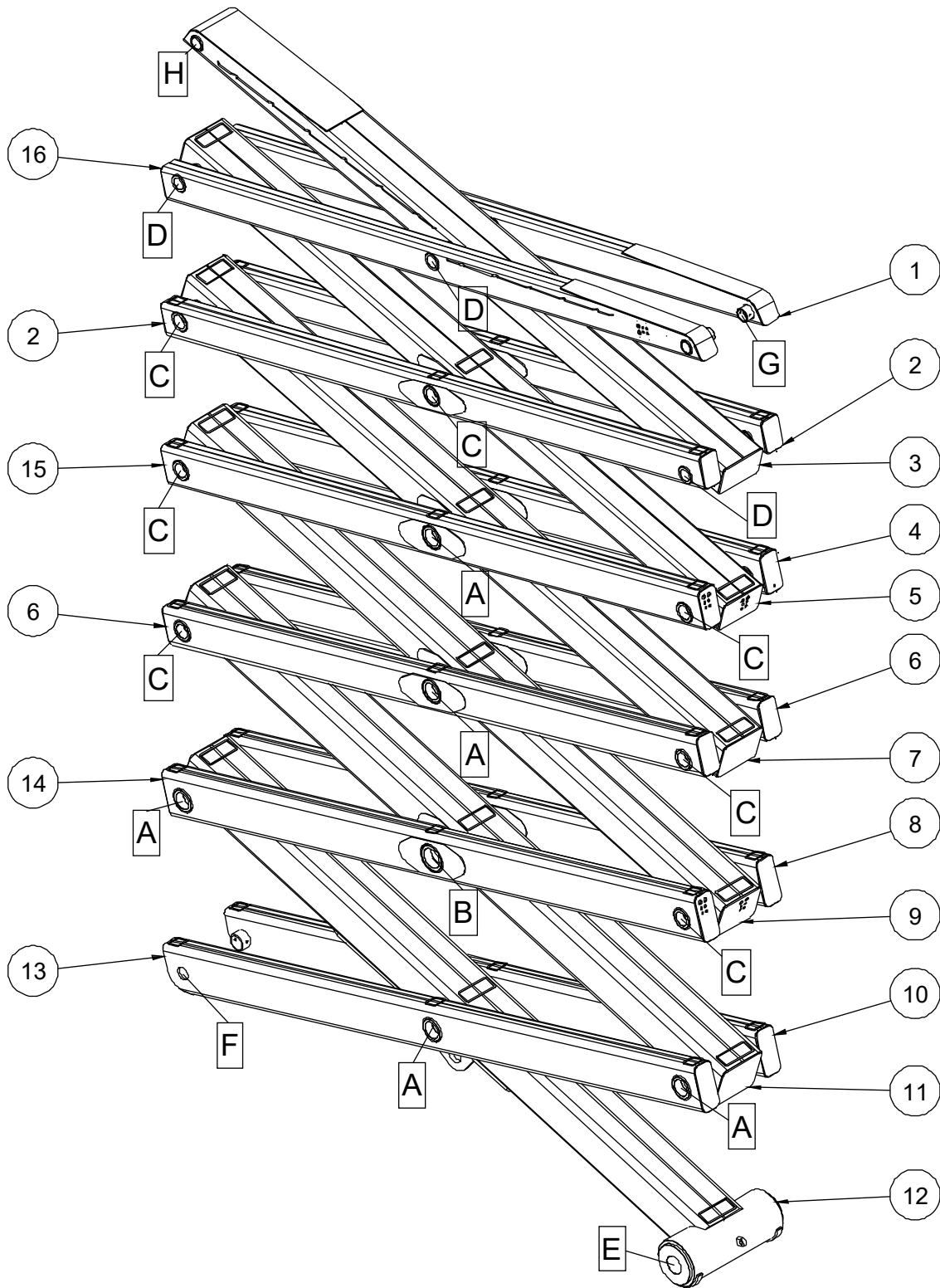


131.1 Guardrail turning device

Item	Part No.	Description	Qty.
1	10023014	Fixed mount weldment	1
2	10023019	Link plate	1
3	00002892	Bolt GB/T 5782 M8×90	1
4	00000608	Washer GB/T 97.1 8	11
5	00001163	Nut GB/T 6182 M8	6
6	00001162	Bolt GB/T 5782 M8×60	1
7	10012090	Inserted pin	5
8	10023024	Capstan	1
9	00001063	Bolt GB/T 5783 M8×16	3
10	10023079	Spacer sleeve	1
11	10023075	Bayonet weldment	1
12	10023174	Fixed mount weldment	2
13	00002488	Bolt GB/T 5783 M8×35	4
14	00002000	Washer GB/T 96.1 8	4

Section 2 Scissor

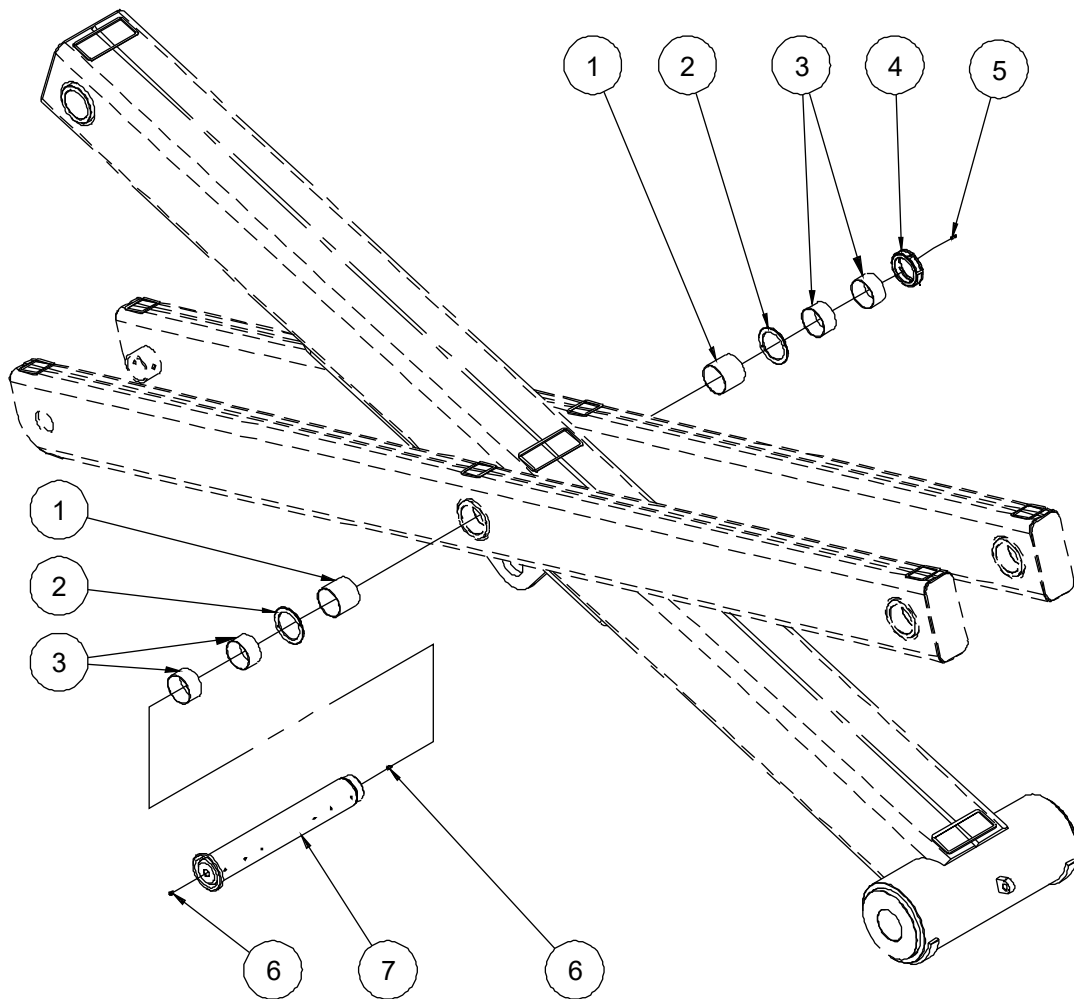
201.1 Scissor Arms Installation



201.1 Scissor Arms Installation

Item	Part No.	Description	Qty.
1	10020429	Outer arm 6, right	1
2	10020425	Outer arm 5	2
3	10020412	Inner arm 6	1
4	10020424	Outer arm 4, right	1
5	10020410	Inner arm 5	1
6	10020420	Outer arm 3	2
7	10020408	Inner arm 4	1
8	10020419	Outer arm 2, right	1
9	10020406	Inner arm 3	1
10	10020416	Outer arm 1, right	1
11	10020404	Inner arm 2	1
12	10020401	Inner arm 1	1
13	10020414	Outer arm 1, left	1
14	10020417	Outer arm 2, left	1
15	10020422	Outer arm 4, left	1
16	10020426	Outer arm 6, left	1

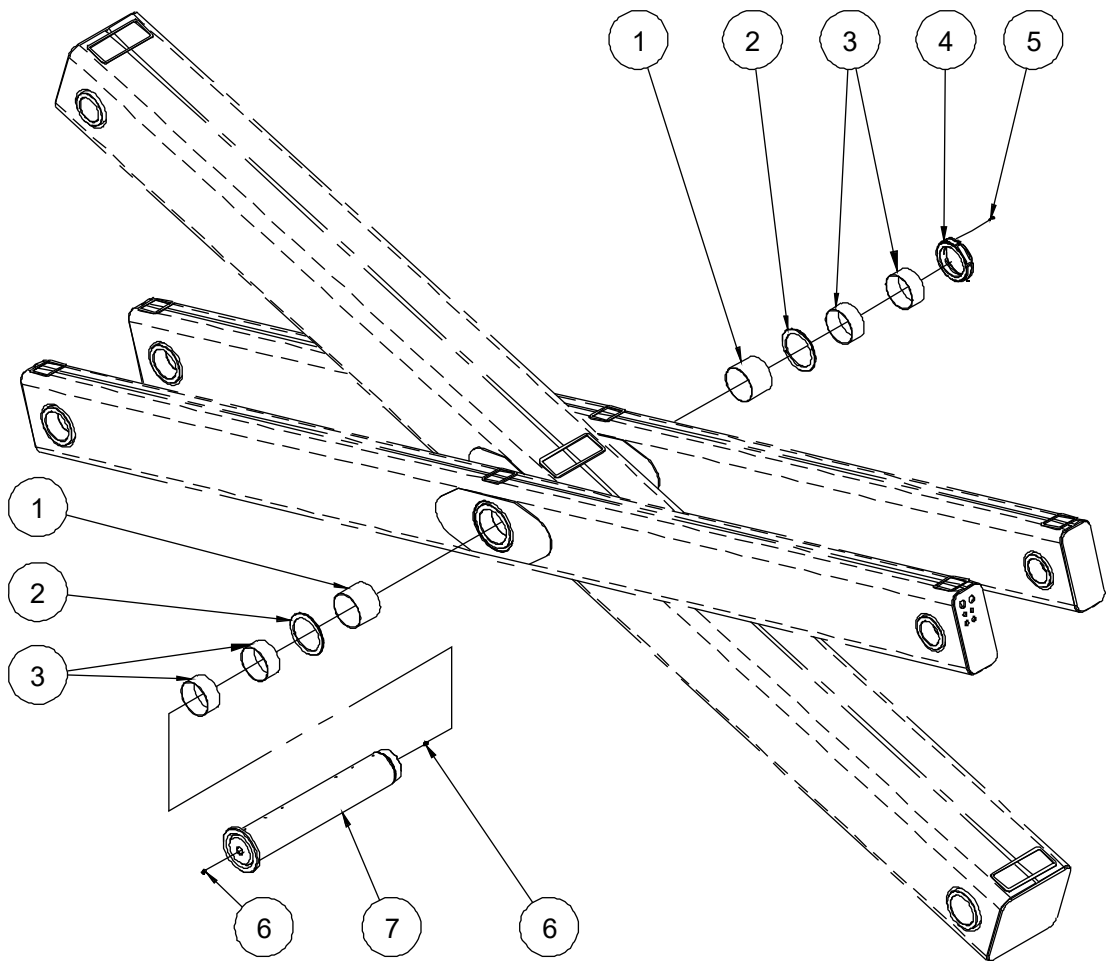
202.1 Scissor Arm pin joint A



202.1 Scissor Arm pin joint A

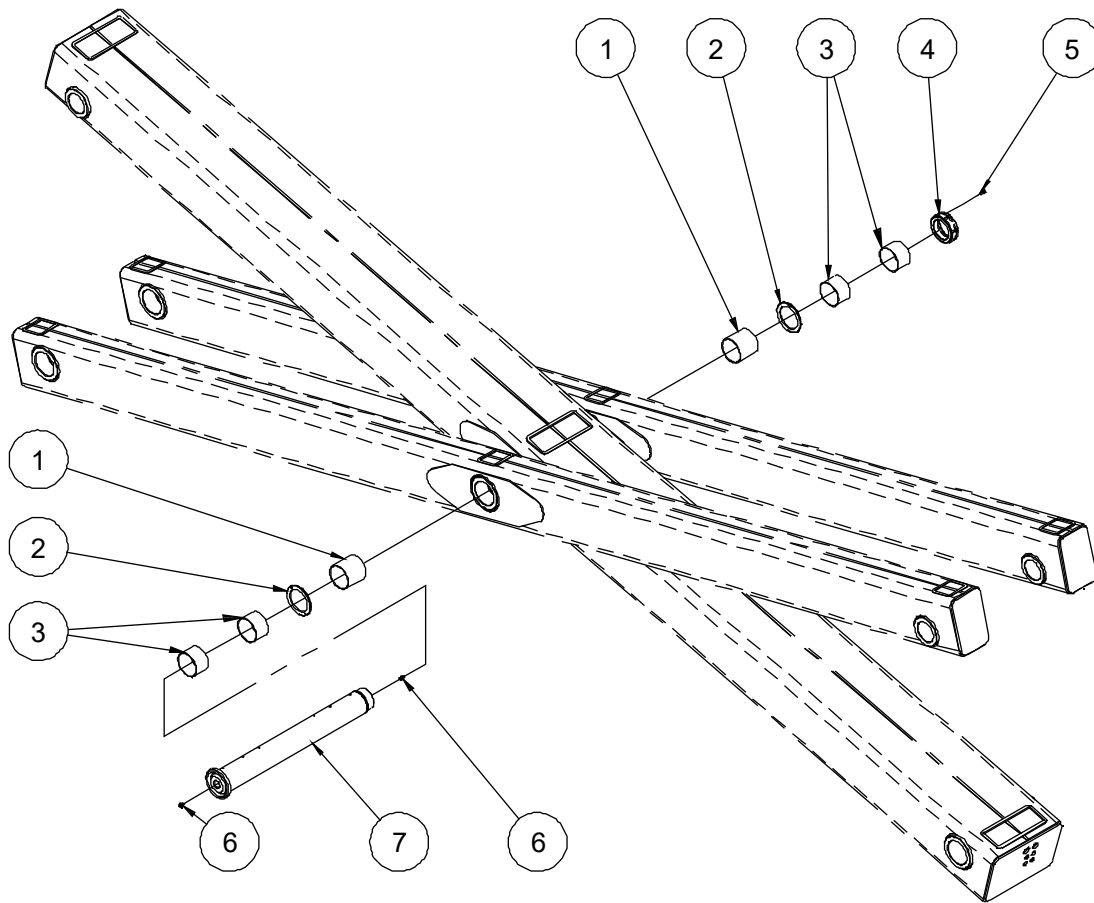
Item	Part No.	Description	Qty.
1	00007872	8812-110115100A Bearing	2
2	10016087	Washer 110	2
3	00007873	8812-11011560A Bearing	4
4	10017509	Nut M100	1
5	00000876	Screw GB/T 70.1 M6×16	6
6	00004483	Grease nipple GB/T 1152 M10×1	2
7	10016056	Pin 110	1

203.1 Scissor Arm pin joint B



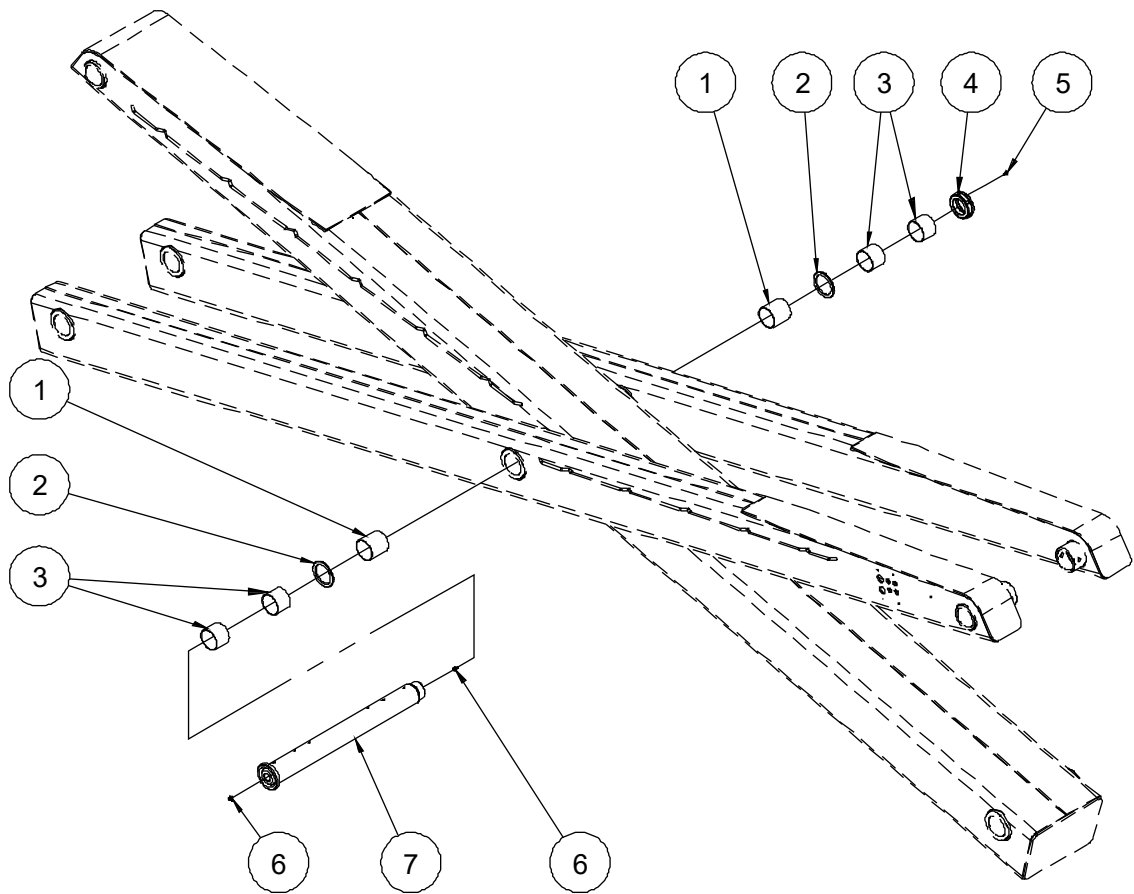
203.1 Scissor Arm pin joint B

Item	Part No.	Description	Qty.
1	00007850	8812-130135100A Bearing	2
2	10016755	Washer 130	2
3	00007851	8812-13013560A Bearing	4
4	10017510	Nut M120	1
5	00000876	Screw GB/T 70.1 M6×16	6
6	00004483	Grease nipple GB/T 1152 M10×1	2
7	10016739	Pin 130	1

204.1 Scissor Arm pin joint C**204.1 Scissor Arm pin joint C**

Item	Part No.	Description	Qty.
1	00006140	8812-909590A Bearing	2
2	10009382	Washer 90	2
3	00006149	8812-909560A Bearing	4
4	10017506	Nut M80	1
5	00000876	Screw GB/T 70.1 M6×16	4
6	00004483	Grease nipple GB/T 1152 M10×1	2
7	10016063	Pin 90-1	1

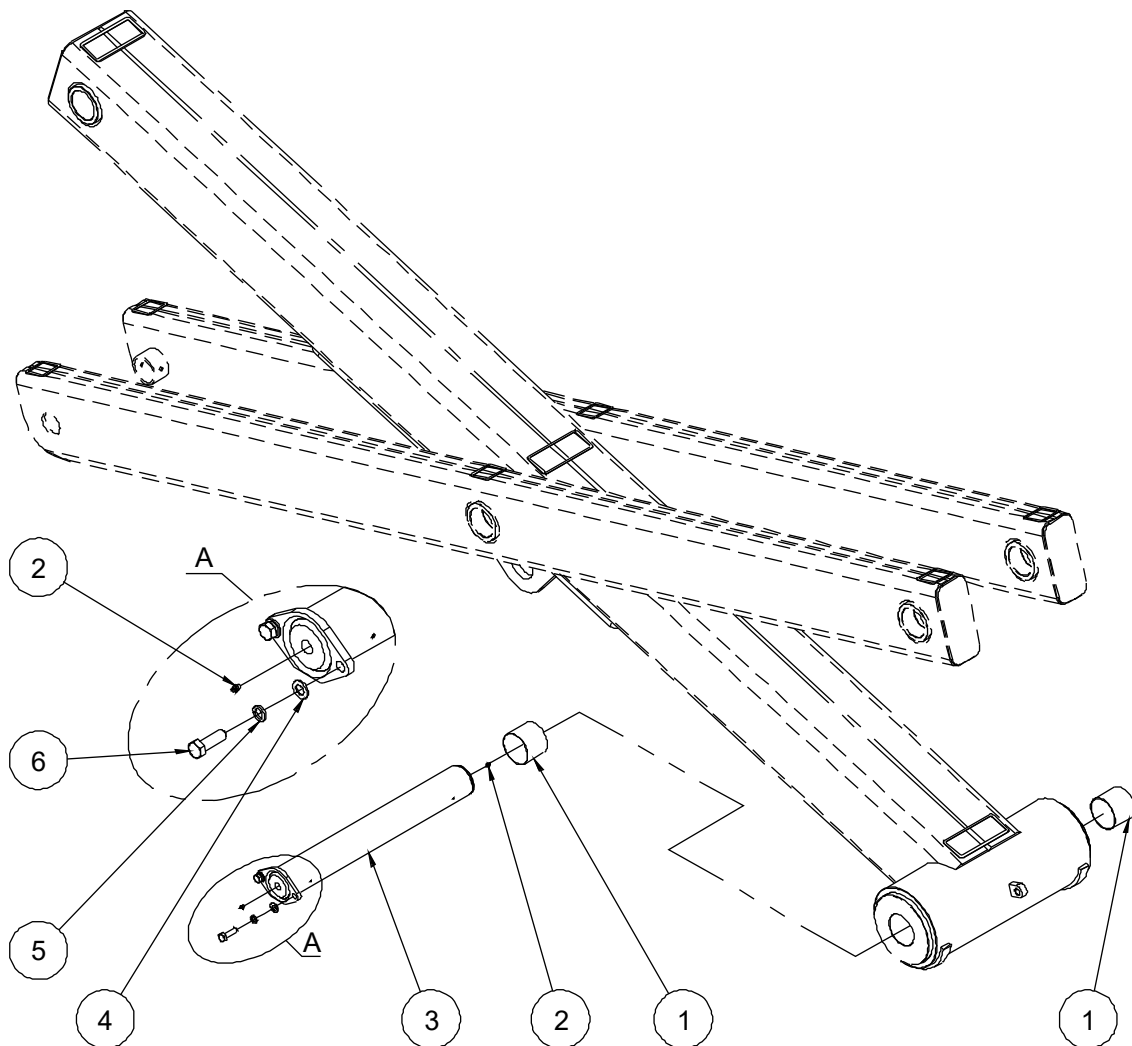
205.1 Scissor Arm pin joint D



205.1 Scissor Arm pin joint D

Item	Part No.	Description	Qty.
1	00006144	8812-758080A Bearing	2
2	10009374	Washer 75	2
3	00006143	8812-758060A Bearing	4
4	10017507	Nut M64	1
5	00002029	Screw GB/T 70.1 M6×12	4
6	00004483	Grease nipple GB/T 1152 M10×1	2
7	10016061	Pin 75	1

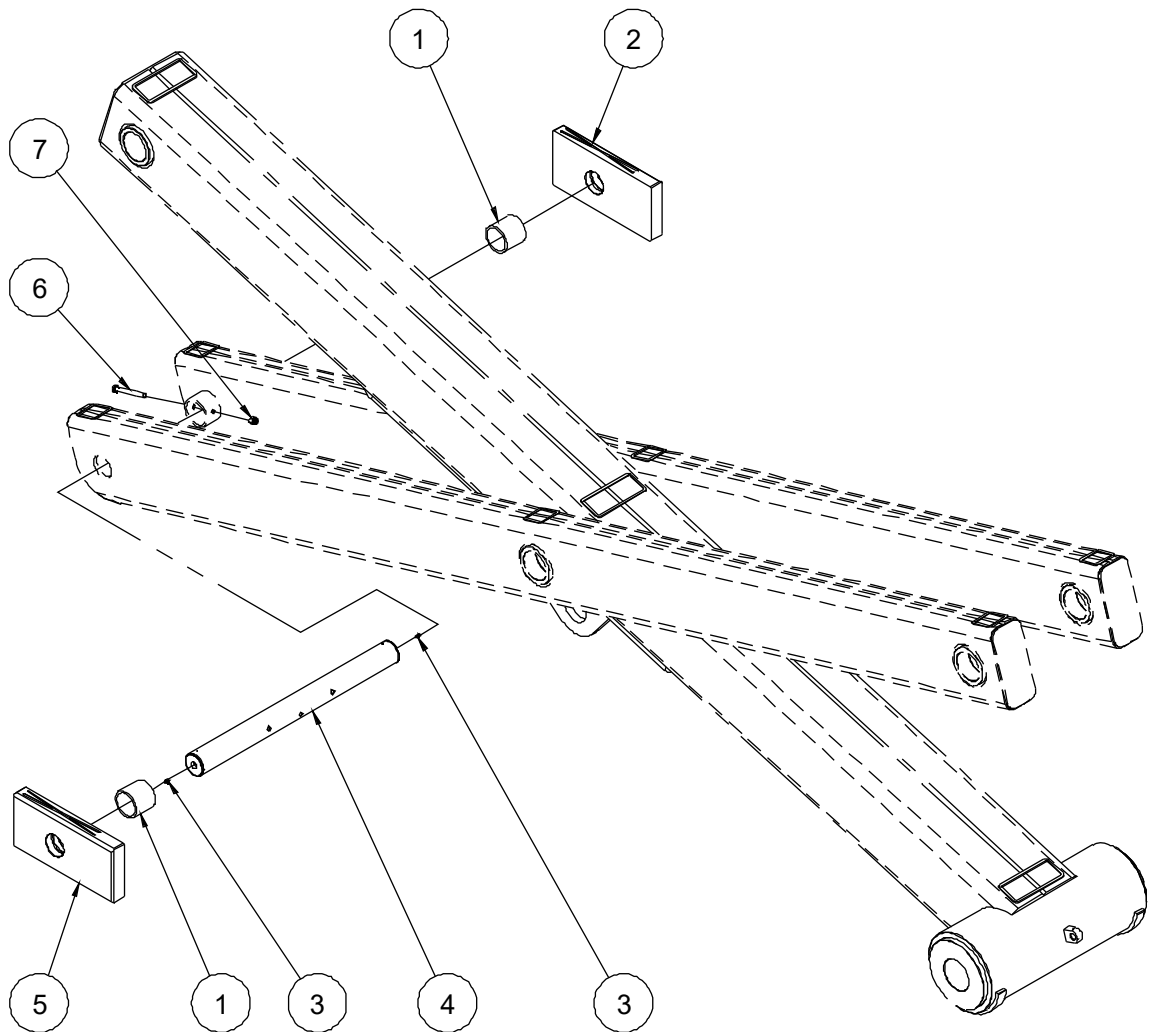
206.1 Scissor Arm pin joint E



206.1 Scissor Arm pin joint E

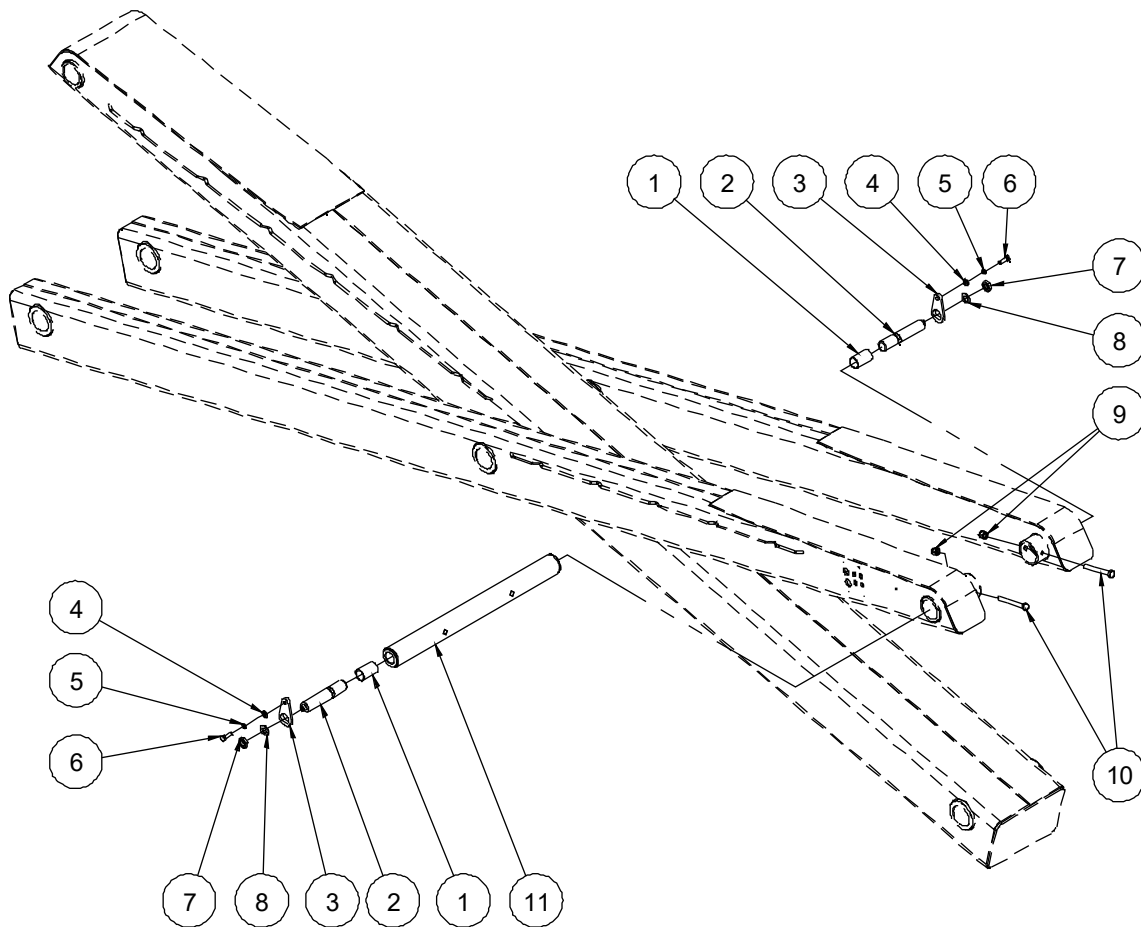
Item	Part No.	Description	Qty.
1	00006146	8812-120125100A Bearing	2
2	00004483	Grease nipple GB/T 1152 M10×1	2
3	10015873	Pin	1
4	00001050	Washer GB/T 97.1 20	2
5	00002219	Washer GB/T 93 20	2
6	00006443	Bolt GB/T 5783 M20×60	2

207.1 Scissor Arm pin joint F



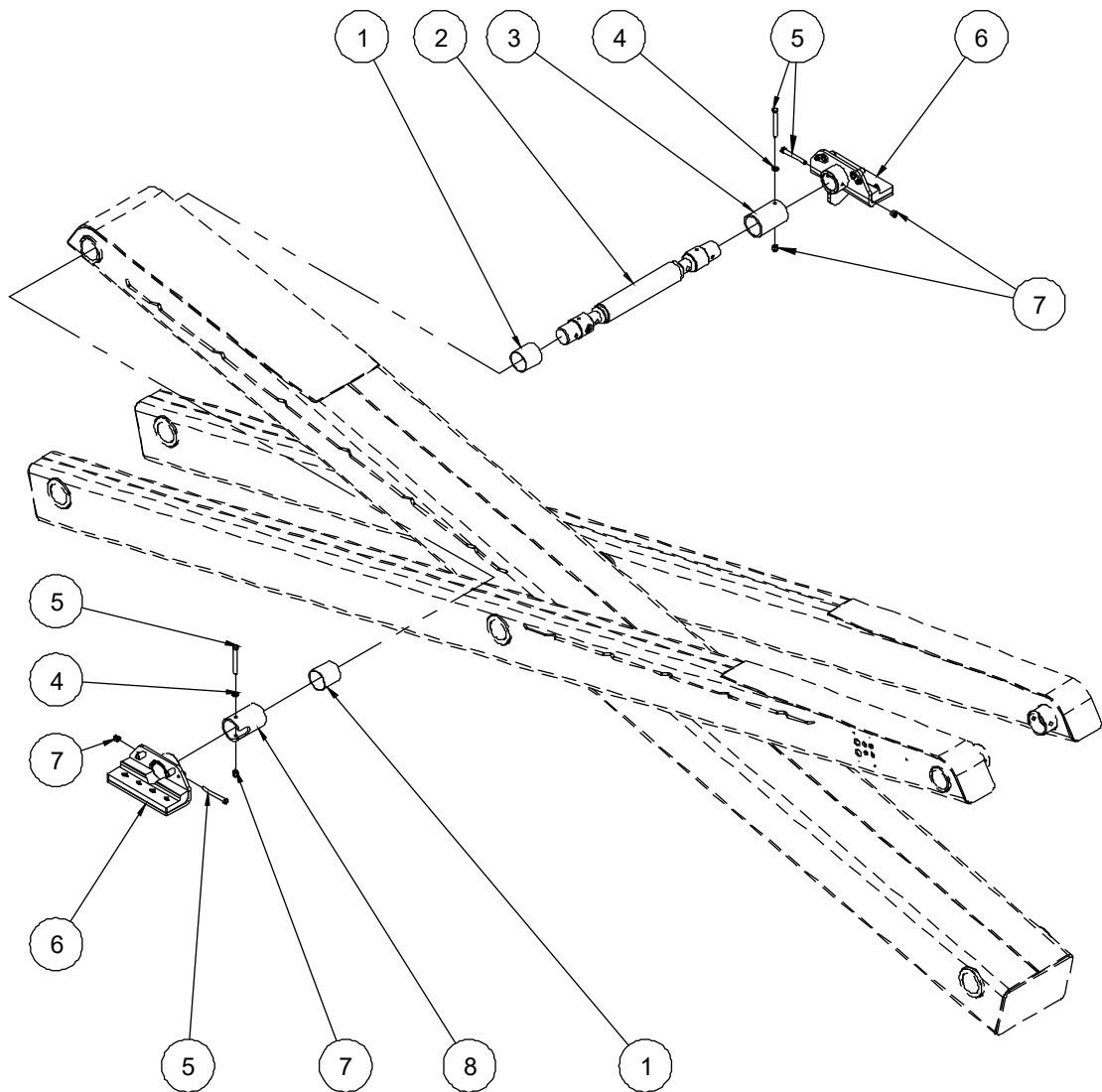
207.1 Scissor Arm pin joint F

Item	Part No.	Description	Qty.
1	10018277	Spacer sleeve	2
2	10016066	Chassis slider	1
3	00004483	Grease nipple GB/T 1152 M10×1	2
4	10018276	Pin	1
5	10017868	Chassis slider	1
6	00005163	Bolt GB/T 5782 M16×150	2
7	00001257	Nut GB/T 6182 M16	2

208.1 Scissor Arm pin joint G**208.1 Scissor Arm pin joint G**

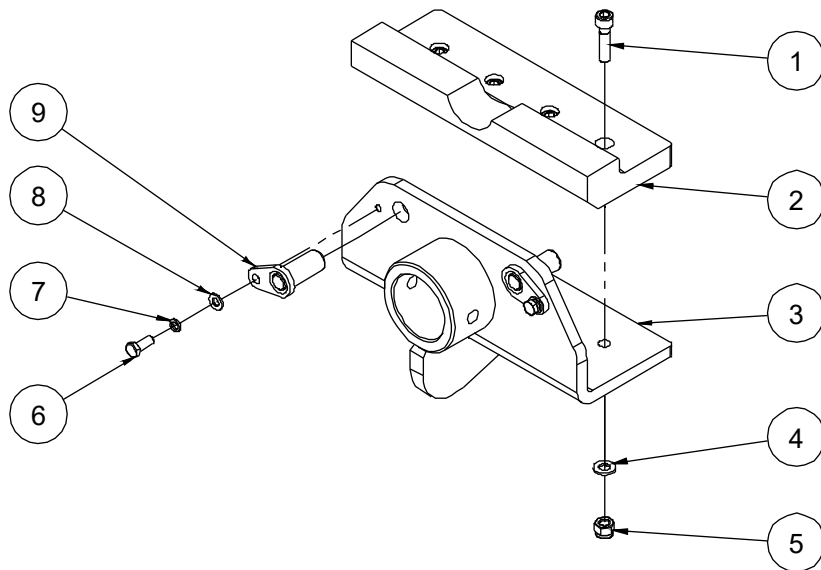
Item	Part No.	Description	Qty.
1	00006165	8812-404470 Bearing	2
2	10009398	Pin	2
3	10009399	Pin fixing plate	2
4	00000814	Washer GB/T 97.1 12	2
5	00000815	Washer GB/T 93 12	2
6	00002046	Bolt GB/T 5783 M12×35	2
7	00001998	Nut GB/T 6173 M22×1.5	2
8	00002550	Washer GB/T 97.1 22	2
9	00001257	Nut GB/T 6182 M16	2
10	00001109	Bolt GB/T 5782 M16×130	2
11	10018243	Pin	1

209.1 Scissor Arm pin joint H



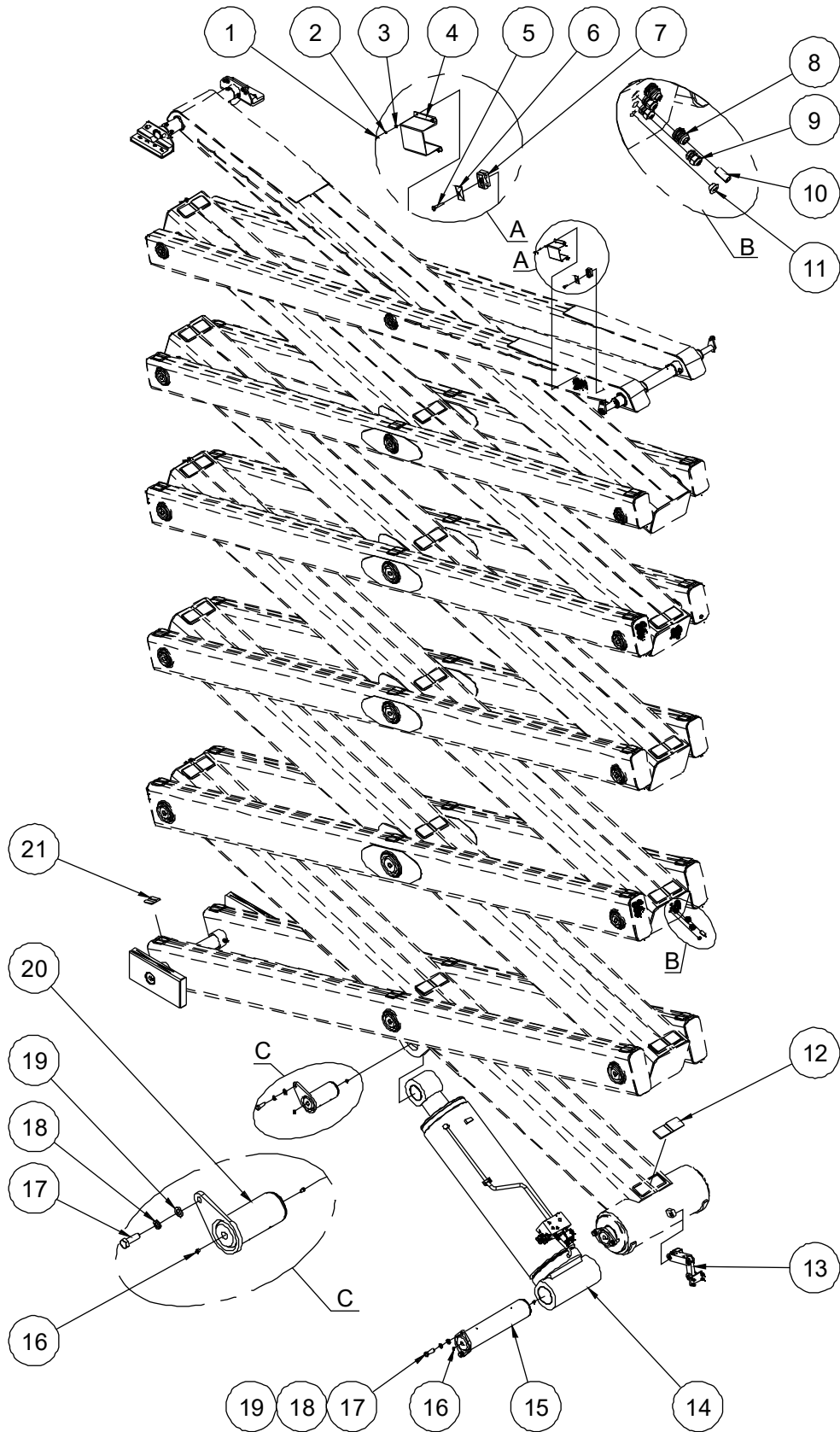
209.1 Scissor Arm pin joint H

Item	Part No.	Description	Qty.
1	00006166	8812-758080 Bearing	2
2	10018244	Pin	1
3	10018249	Spacer sleeve	1
4	00000814	Washer GB/T 97.1 12	2
5	00006174	Bolt GB/T 5782 M12×110	4
6		Platform slider assembly (refet to 210.1)	2
7	00001249	Nut GB/T 6182 M12	4
8	10018258	Spacer sleeve	1

210.1 Platform Slider Assembly**210.1 Platform Slider Assembly**

Item	Part No.	Description	Qty.
1	00002050	Screw GB/T 70.1 M10×40	4
2	10009349	Platform slider	1
3	10009348	Slider bracket	1
4	00000615	Washer GB/T 97.1 10	4
5	00000623	Nut GB/T 6182 M10	4
6	00000875	Bolt GB/T 5783 M8×20	2
7	00000609	Washer GB/T 93 8	2
8	00000608	Washer GB/T 97.1 8	2
9	10009353	Pin	2

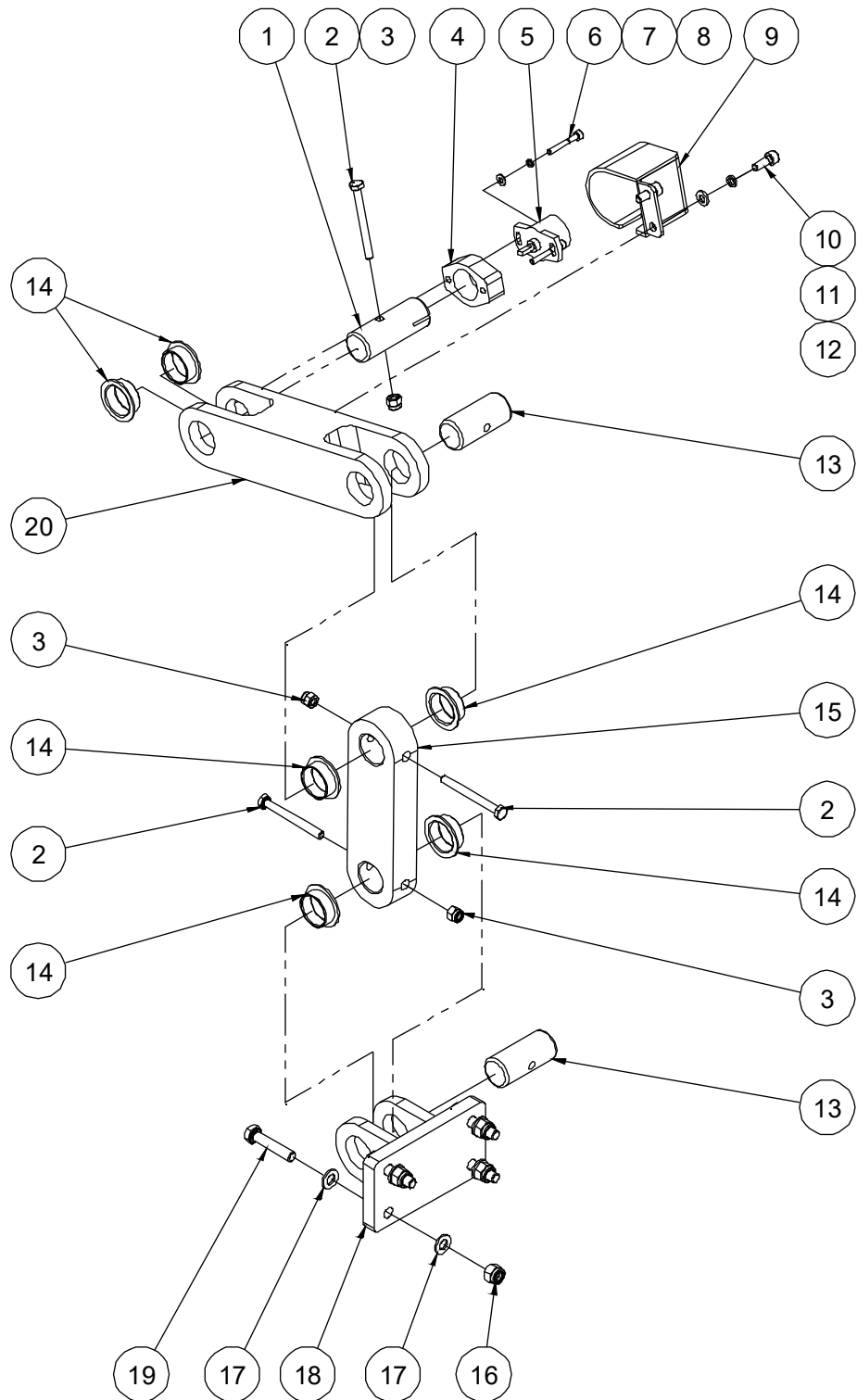
211.1 Lift cylinder and Scissor Accessory Installation



211.1 Lift cylinder and Scissor Accessory Installation

Item	Part No.	Description	Qty.
1	00001252	Screw GB/T 70.1 M5×12	4
2	00000606	Washer GB/T 93 5	4
3	00000605	Washer GB/T 97.1 5	4
4	10017530	Cover	1
5	00002604	Bolt GB/T 5783 M8×40	1
6	10000047	Base plate	1
7	00000538	Hose clamp	1
8	00001829	Water-proof joint M30×1.5	24
9	00006128	Water-proof joint M20×1.5	36
10	10009675	Sheath	24
11	00006177	Cover	14
12	10020437	Block	15
13		Rotary sensor assembly (refer to 212.1)	1
14		Lift cylinder assembly (without seal kit) (refer to 401.1)	1
15	10015876	Pin	1
16	00004483	Grease nipple GB/T 1152 M10×1	40
17	00006443	Bolt GB/T 5783 M20×60	5
18	00002219	Washer GB/T 93 20	5
19	00001050	Washer GB/T 97.1 20	5
20	10016744	Pin	1
21	10020438	Block	30

212.1 Rotary Sensor Assembly

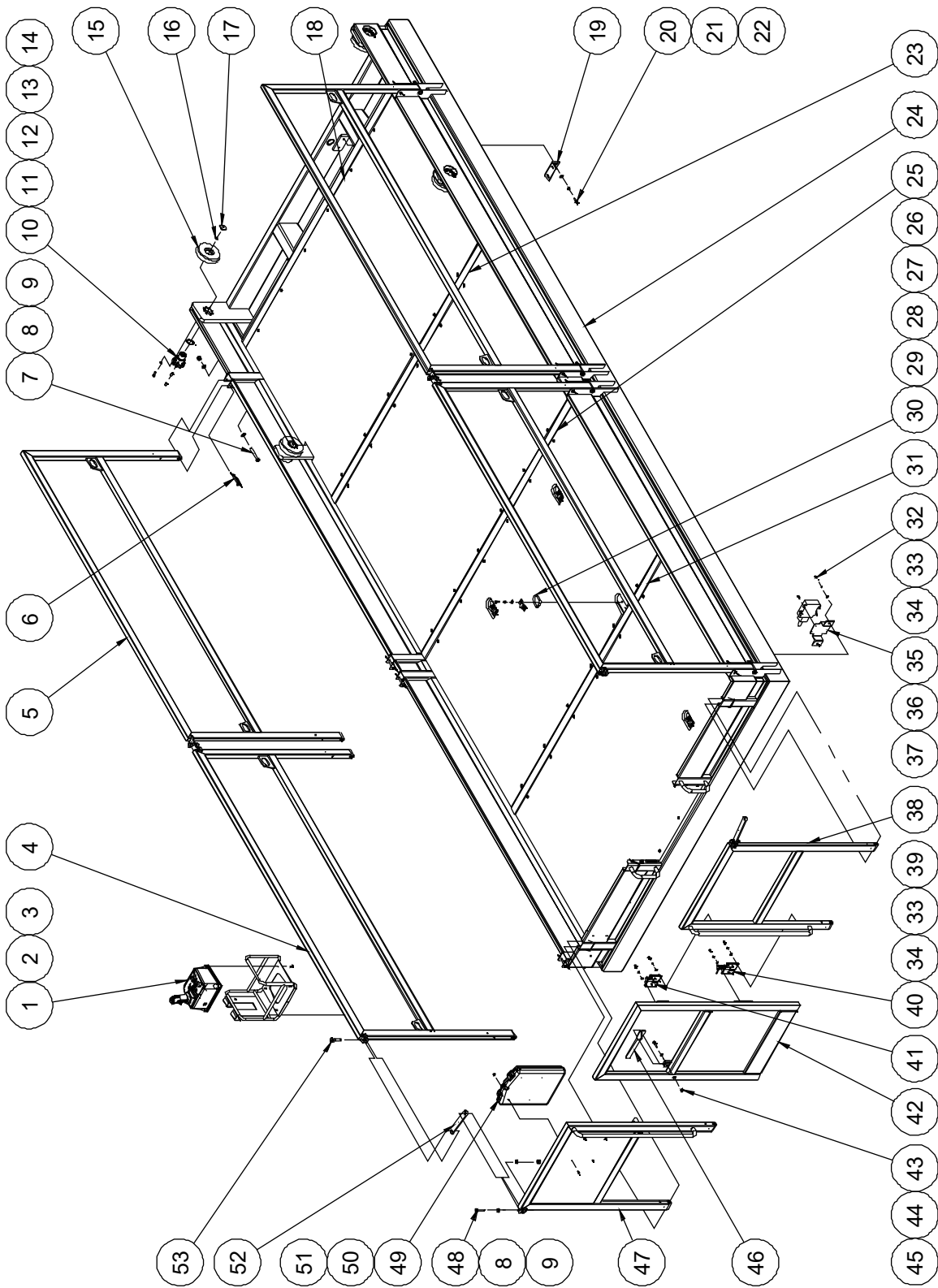


212.1 Rotary Sensor Assembly

Item	Part No.	Description	Qty.
1	10009584	Pin	1
2	00002335	Bolt GB/T 5782 M6×60	3
3	00001033	Nut GB/T 6182 M6	3
4	10001569	Sensor bracket	1
5	00000644	Rotary sensor	1
6	00002415	Screw GB/T 70.1 M4×30	2
7	00000779	Washer GB/T 93 4	2
8	00000778	Washer GB/T 97.1 4	2
9	10016634	Protect cover	1
10	00000876	Screw GB/T 70.1 M6×16	2
11	00000621	Washer GB/T 93 6	2
12	00000620	Washer GB/T 97.1 6	2
13	00006176	8942-2555 Pin	2
14	00006178	8822-2511 Bearing	6
15	10009583	Link plate	1
16	00001163	Nut GB/T 6182 M8	4
17	00000608	Washer GB/T 97.1 8	8
18	10009587	Bracket	1
19	00002604	Bolt GB/T 5783 M8×40	4
20	10009582	Link plate	1

Section 3 Platform

301.1 Main Platform Assembly



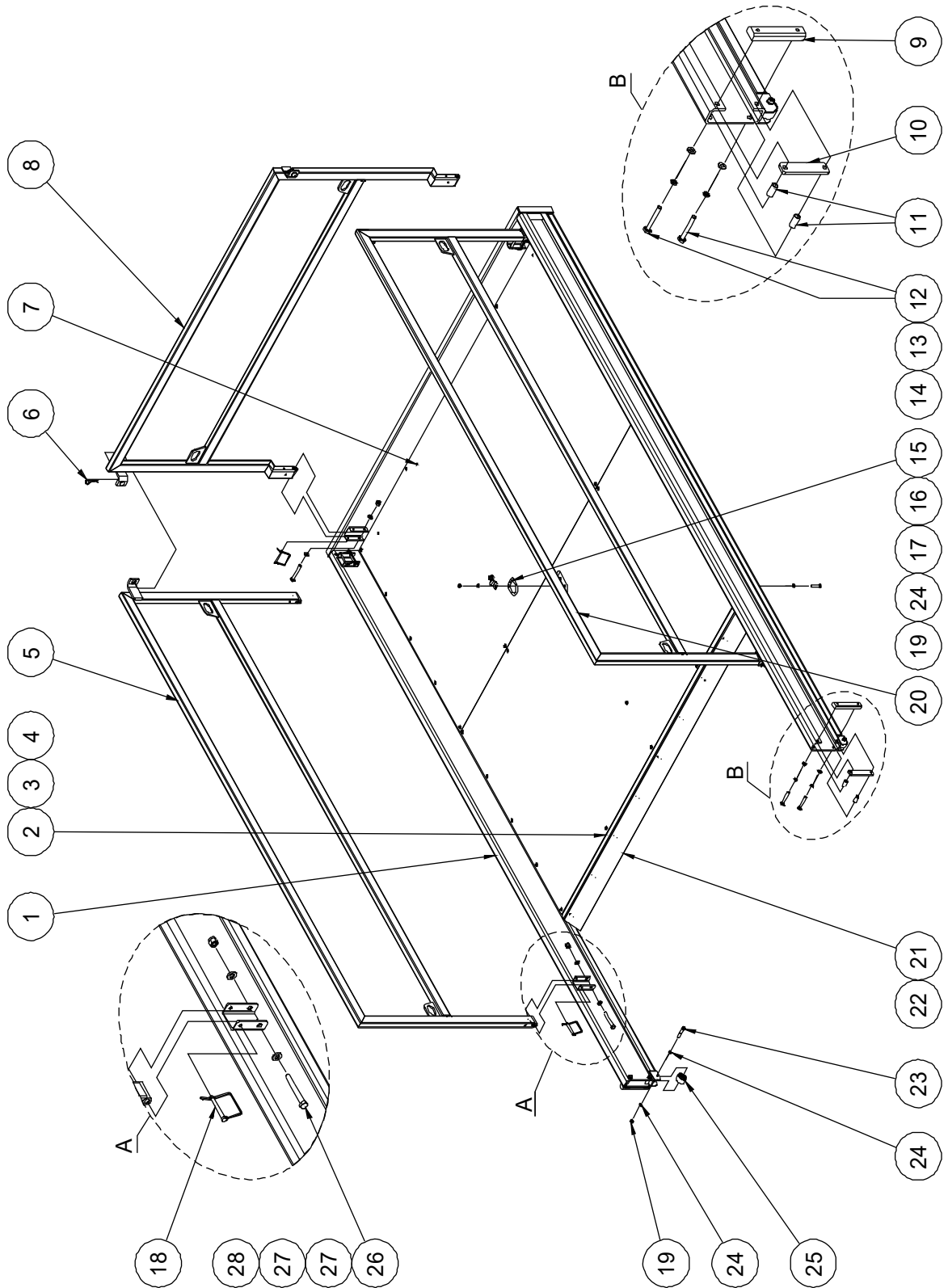
301.1 Main Platform Assembly

Item	Part No.	Description	Qty.
1		Platform control box assembly (refer to 303.1)	1
2	10011382	Platform control box mount bracket (without cover)	1
	10017028	Platform control box mount bracket (with cover)	1
3	00001986	Screw GB/T 818 M6×16 - H	4
4	10022561	Right main rail	2
5	10022564	Right main rail	2
6	10012090	Inserted pin	12
7	00001300	Bolt GB/T 5782 M12×90	12
8	00000814	Washer GB/T 97.1 12	28
9	00001249	Nut GB/T 6182 M12	14
10	10014045	Pin	4
11	00005165	Screw GB/T 79 M10×20	8
12	00002555	Screw GB/T 70.1 M8×25	32
13	00000609	Washer GB/T 93 8	40
14	00000944	Circlips GB/T 894.1-40	4
15	10011328	Roller	4
16	10006579	Washer	4
17	10006578	Block	4
18	10018430	Main platform deck plate 3	1
19	10011326	Cylinder seat	1
20	00002249	Screw GB/T 70.1 M10×20	2
21	00000679	Washer GB/T 93 10	2
22	00000615	Washer GB/T 97.1 10	2
23	10018429	Main platform deck plate 2	1
24	10022556	Main deck weldment (standard)	1
	10022578	Main deck weldment (option)	1
25	10024423	Main platform deck plate 4 (standard)	1
	10024424	Main platform deck plate 4 (option)	1
26	00006322	Rivet GB/T 12618.4 4.8×30	56

301.1 Main Platform Assembly

Item	Part No.	Description	Qty.
27	00003545	Washer GB/T 96.1 5	56
28	00000875	Bolt GB/T 5783 M8×20	8
29	10018899	Ring bracket	4
30	10018898	Ring	4
31	10024422	Main platform deck plate 1	1
32	00002029	Screw GB/T 70.1 M6×12	2
33	00000621	Washer GB/T 93 6	14
34	00000620	Washer GB/T 97.1 6	14
35	10018459	Bracket	1
36	00008341	Load sensor amplifier	1
37	00000876	Screw GB/T 70.1 M6×16	4
38	10018423	Front rail 1	1
39	00000818	Bolt GB/T 5783 M6×16	12
40	10000302	Hinge B	1
41	10000299	Hinge A	1
42	10011318	Entry gate	1
43	00001163	Nut GB/T 6182 M8	1
44	00000608	Washer GB/T 97.1 8	10
45	00002604	Bolt GB/T 5783 M8×40	1
46	10011325	Latch handle	1
47	10018426	Front rail 2	1
48	00001856	Bolt GB/T 5783 M12×50	2
49	50000555	Manual box	1
50	00002523	Screw GB/T 973 M5×16	4
51	00002573	Nut GB/T 6183.1 M5	4
52	10018433	Plate	2
53	10012192	Inserted pin	4

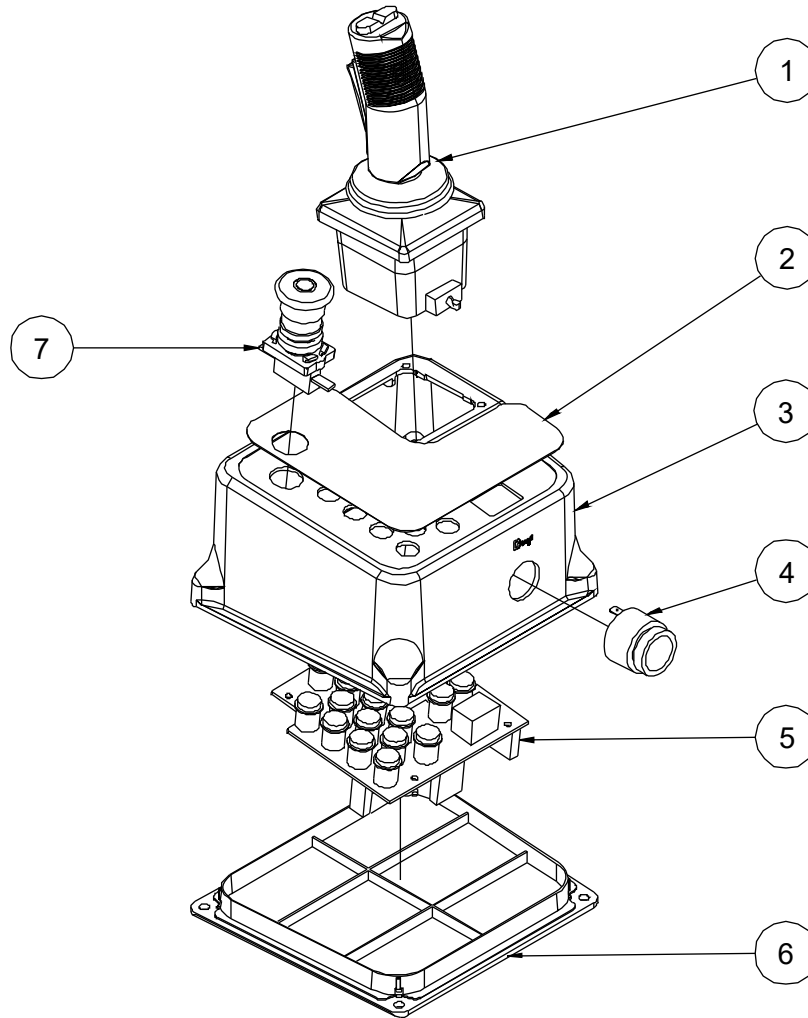
302.1 Platform Extension Assembly



302.1 Platform Extension Assembly

Item	Part No.	Description	Qty.
1	10018436	Extension deck weldment	1
2	10019676	Platform extension deck plate 2	1
3	00006322	Rivet GB/T 12618.4 4.8×30	38
4	00003545	Washer GB/T 96.1 5	38
5	10018446	Right extension rail	1
6	10011337	Cotter pin	2
7	10018454	Platform extension deck plate	1
8	10018450	Rear rail	1
9	10011376	Baffle plate	2
10	10011377	Baffle plate	2
11	10011378	Spacer sleeve	4
12	00002512	Bolt GB/T 5782 M10×70	4
13	00000679	Washer GB/T 93 10	4
14	00000615	Washer GB/T 97.1 10	4
15	10018898	Ring	1
16	10018899	Ring bracket	1
17	00003607	Bolt GB/T 5783 M8×50	2
18	10012090	Inserted pin	6
19	00001163	Nu GB/T 6182 M8	4
20	10018449	Left extension rail	1
21	10018453	Rubber plate	1
22	00001991	Rivet GB/T 12618.4 4.8×16	18
23	00003136	Screw GB/T 70.1 M8×55	2
24	00000608	Washer GB/T 97.1 8	8
25	10011379	Roller	2
26	00001300	Bolt GB/T 5782 M12×90	6
27	00000814	Washer GB/T 97.1 12	12
28	00001249	Nut GB/T 6182 M12	6

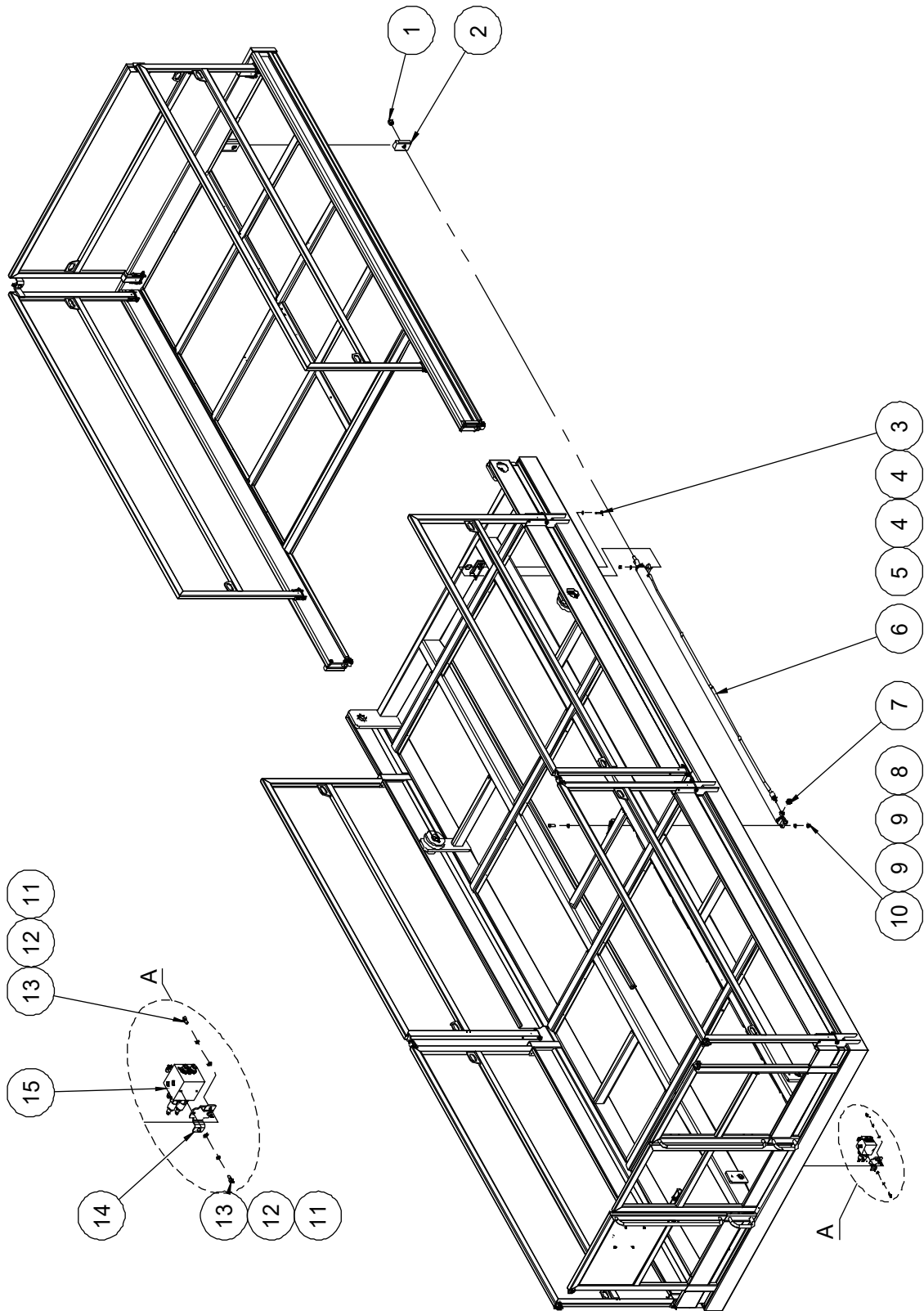
303.1 Platform Control Box Assembly



303.1 Platform Control Box Assembly

Item	Part No.	Description	Qty.
1	00004358	Joystick	1
2	09140043	Decal, Platform control panel	1
3	00004356	Enclosure	1
4	00000712	Alarm	1
5	00004357	Main board	1
6	00004355	Cover bottom	1
7	00000713	Emergency stop switch	1

304.1 Top Telescopic Cylinder Assembly

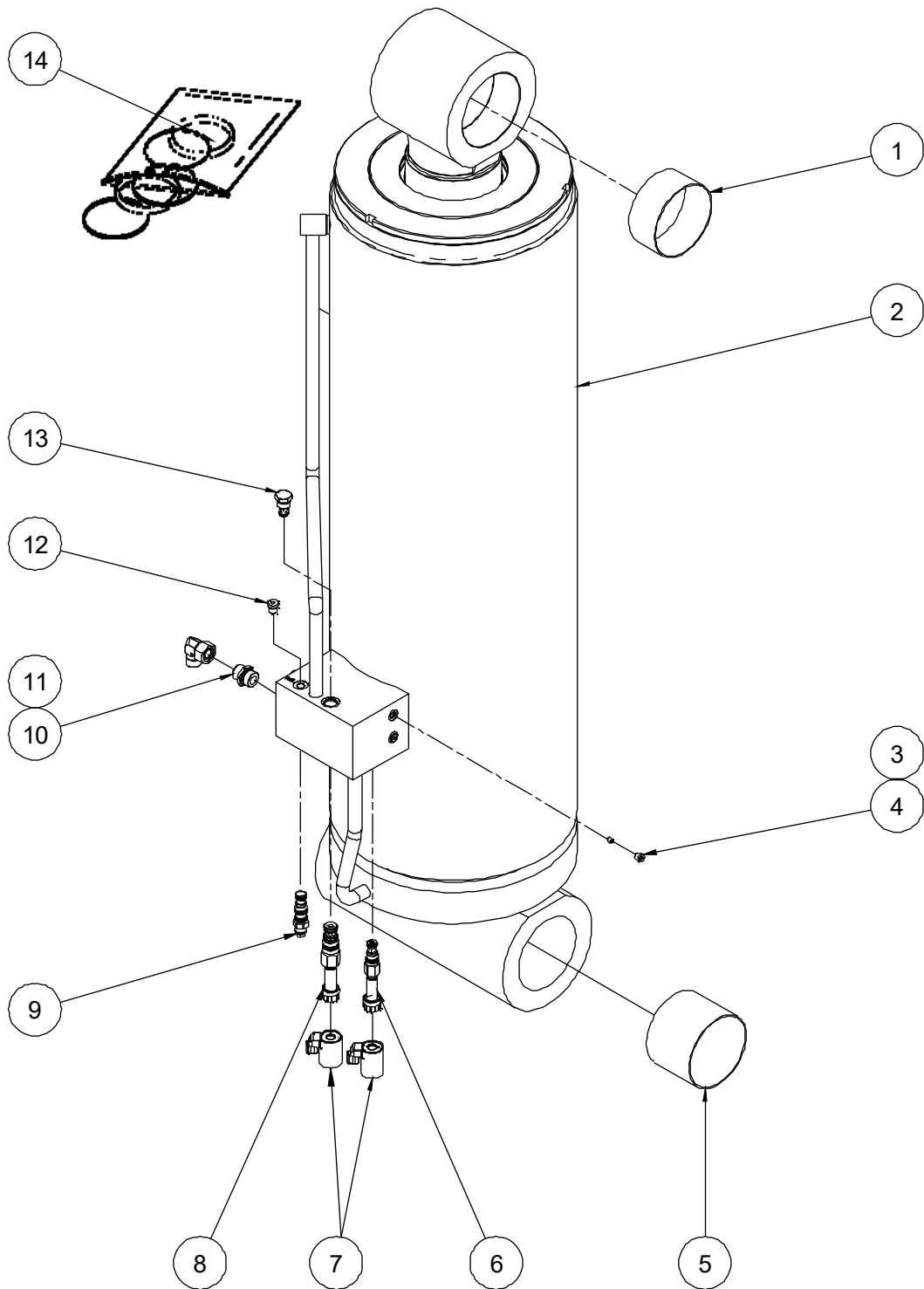


304.1 Top Telescopic Cylinder Assembly

Item	Part No.	Description	Qty.
1	00001051	Nut GB/T 6182 M20	1
2	10018458	Locating plate	1
3	00002411	Bolt GB/T 5783 M10×45	2
4	00000615	Washer GB/T 97.1 10	4
5	00000623	Nut GB/T 6182 M10	2
6	10018225	Extension cylinder	1
--	00006645	Seal kit	1
7	00001294	Straight fitting	2
8	00001055	Bolt GB/T 5783 M12×40	2
9	00000814	Washer GB/T 97.1 12	4
10	00001249	Nut GB/T 6182 M12	2
11	00000608	Washer GB/T 97.1 8	4
12	00000609	Washer GB/T 93 8	4
13	00002051	Screw GB/T 70.1 M8×16	4
14	10011369	Bracket	1
15		Counterbalance manifold assembly (refer to 406.1)	1

Section 4 Hydraulic System

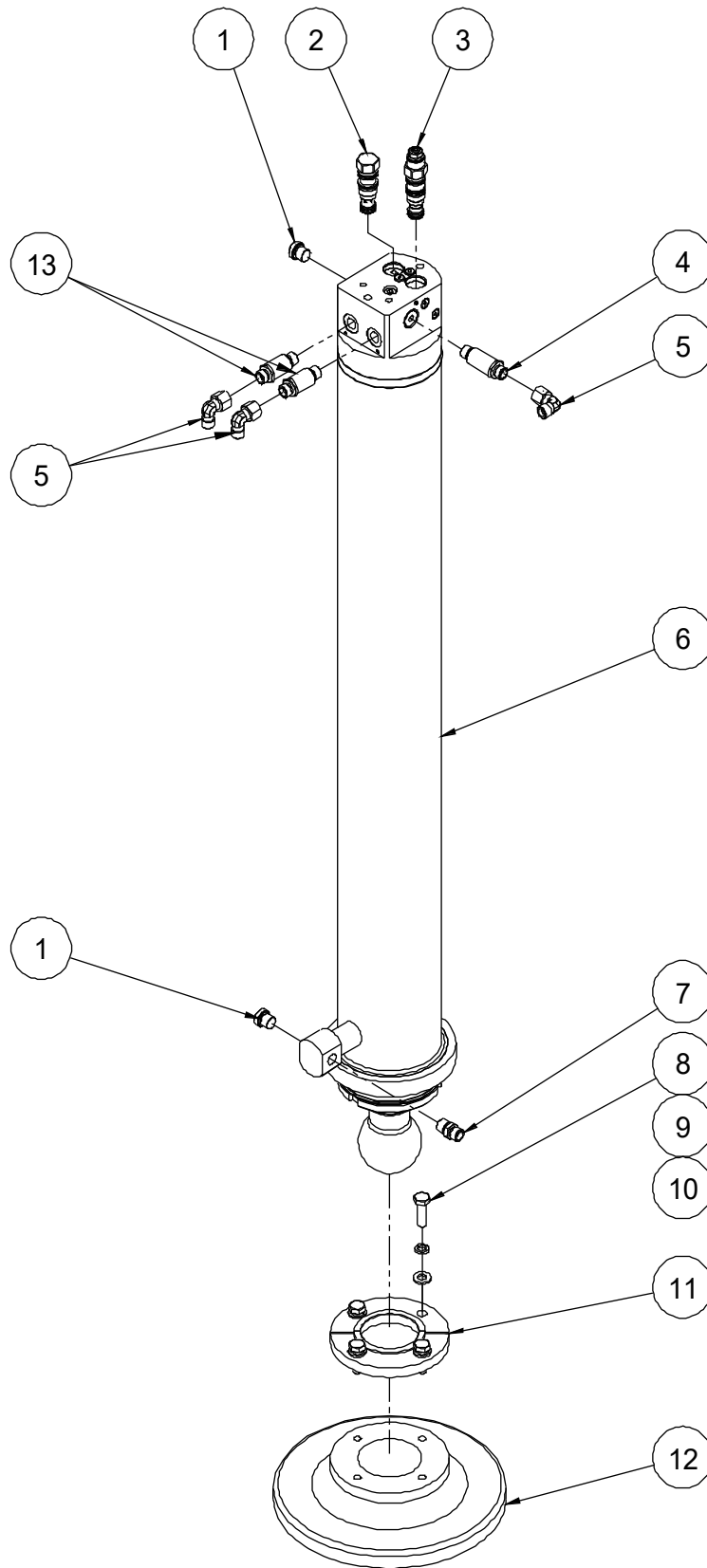
401.1 Lift Cylinder Assembly



401.1 Lift Cylinder Assembly

Item	Part No.	Description	Qty.
1	00008943	8812-13013575A Bearing	2
2	10019316	Lift cylinder	1
3	00009549	Orifice M8_Φ3.7	1
4	00002998	Plug SAE4	3
5	00008948	8812-130135120A Bearing	2
6	00007901	Solenoid valve spool (A)	1
7	00004592	Coil	2
8	00009548	Proportional valve (D)	1
9	00004587	Counterbalance valve spool	1
10	00008469	Straight fitting	2
11	00006447	Elbow	2
12	00001073	Plug VST114×1.5ED	1
13	00007840	Check valve	1
14	00008611	Seal kit	1

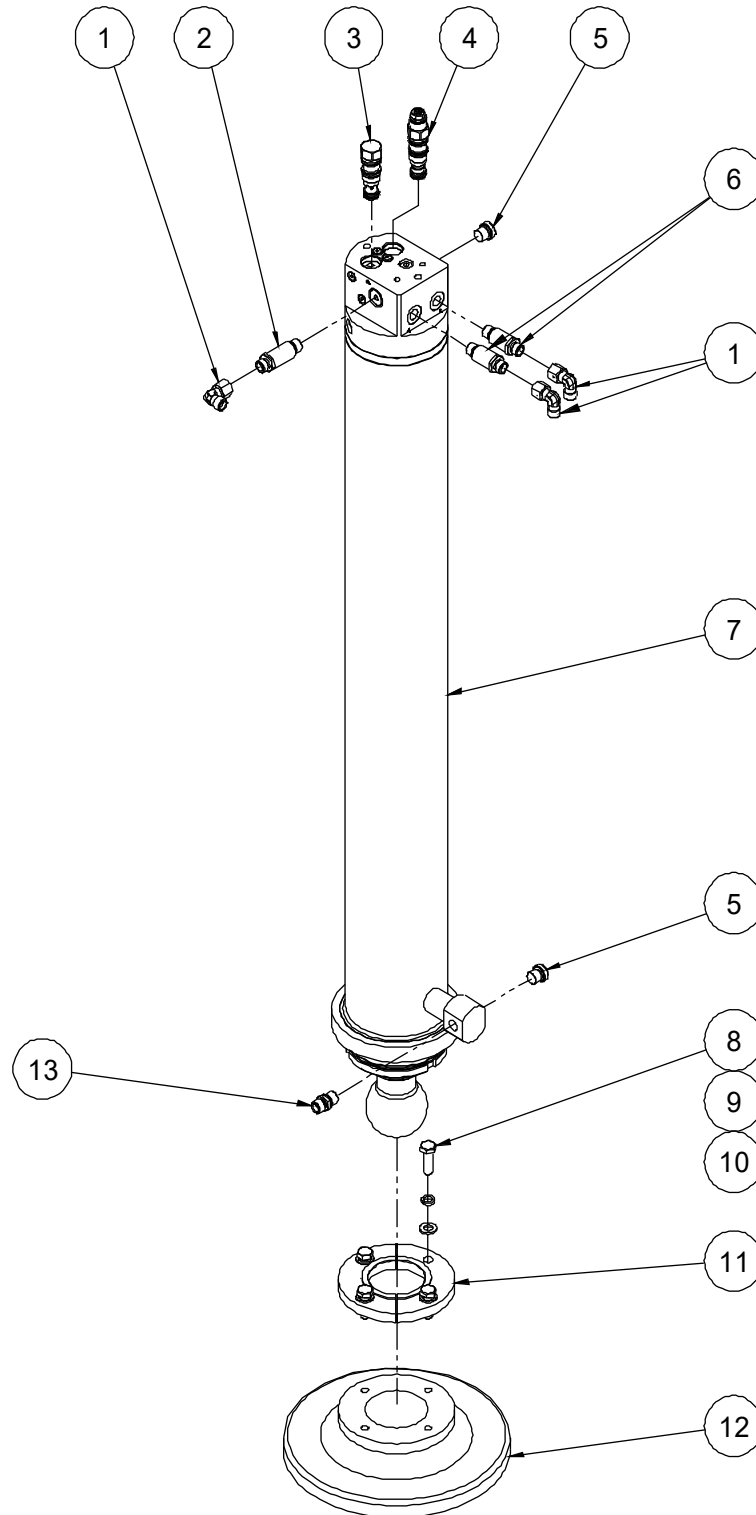
402.1 Left Outrigger Cylinder Assembly



402.1 Left Outrigger Cylinder Assembly

Item	Part No.	Description	Qty.
1	00001073	Plug VST114×1.5ED	2
2	00009693	Pilot-operated check valve (CK1, CK2, CK3, CK4)	1
3	00009755	Counterbalance valve spool (CB1, CB2, CB3, CB4)	1
4	00010021	Straight fitting	1
5	00001832	Elbow	3
6	10022640	Outrigger cylinder	1
--	00009694	Seal kit	1
6	10025171	Outrigger cylinder	1
--	00010865	Seal kit	1
7	00001282	Straight fitting	1
8	00000683	Bolt GB/T 5783 M10×30	4
9	00000679	Washer GB/T 93 10	4
10	00000615	Washer GB/T 97.1 10	4
11	10011095	Retainer	1
12	10011094	Outrigger footpad	1
13	00003758	Elbow	2

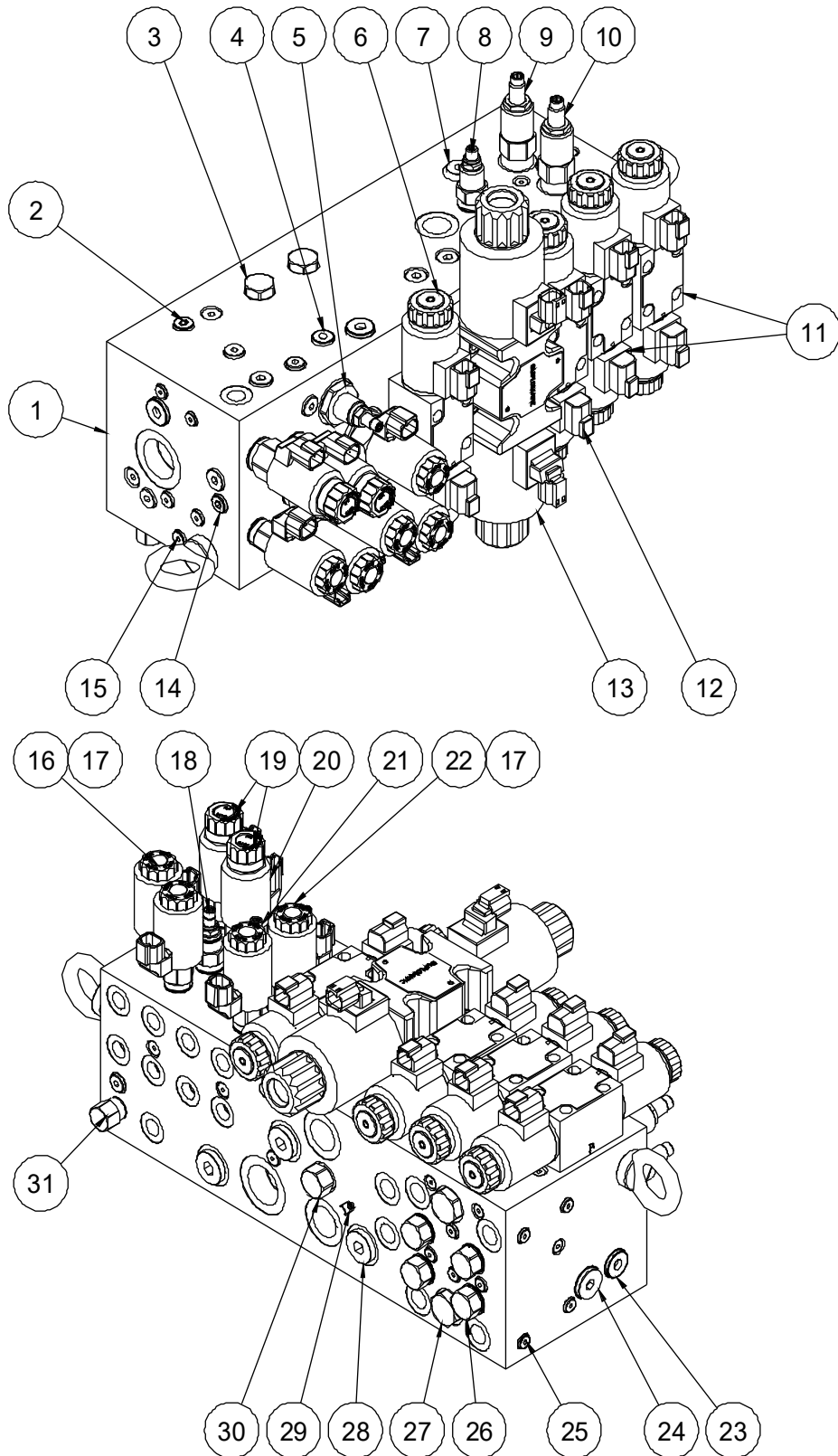
403.1 Right Outrigger Cylinder Assembly



403.1 Right Outrigger Cylinder Assembly

Item	Part No.	Description	Qty.
1	00001832	Elbow	3
2	00010021	Straight fitting	1
3	00009693	Pilot-operated check valve (CK1, CK2, CK3, CK4)	1
4	00009755	Counterbalance valve spool (CB1, CB2, CB3, CB4)	1
5	00001073	Plug VST114×1.5ED	2
6	00003758	Straight fitting	2
7	10022640	Outrigger cylinder	1
--	00009694	Seal kit	1
7	10025171	Outrigger cylinder	1
--	00010865	Seal kit	1
8	00000683	Bolt GB/T 5783 M10×30	4
9	00000679	Washer GB/T 93 10	4
10	00000615	Washer GB/T 97.1 10	4
11	10011095	Retainer	1
12	10011094	Outrigger footpad	1
13	00001282	Straight fitting	1

404.1 Function Manifold



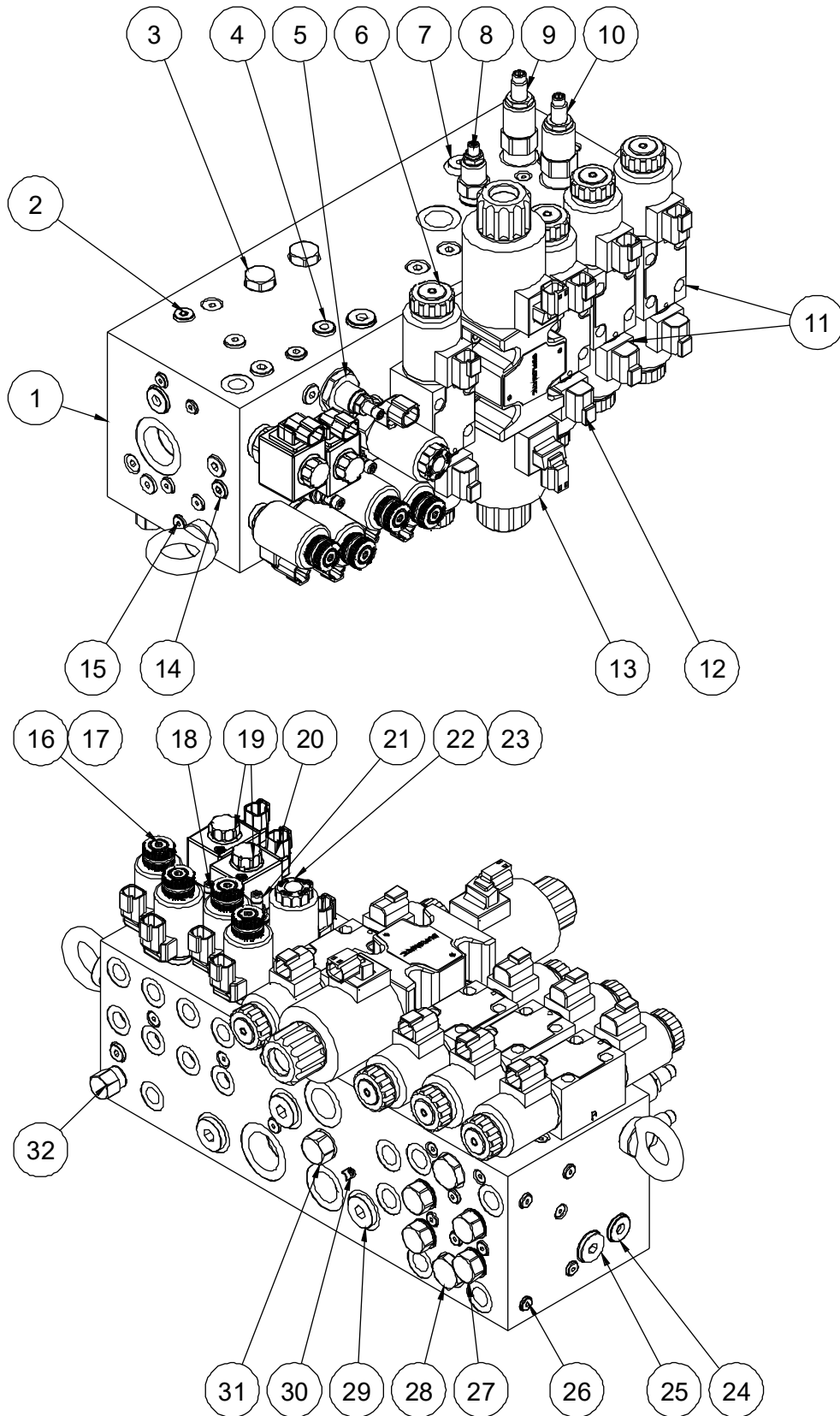
404.1 Function Manifold

Item	Part No.	Description	Qty.
1	00009392	Valve body	1
2	00004383	Plug SAE5	7
3	00009338	Check valve (CX1.1, CX1.2)	2
4	00003361	Plug SAE6	11
5	00008558	Flow control valve (FR3) (matching with Alternator 110V)	1
	00009434	Flow control valve (FR3) (matching with Alternator 220V)	1
6	00008189	Solenoid valve (DS1)	1
7	00001073	Plug VST114×1.5ED	1
8	00009336	Flow control valve (FD1)	1
9	00007826	Relief valve (RV4)	1
10	00007825	Relief valve (RV3)	1
11	00009418	Solenoid valve (SP1.1, SP1.2)	2
12	00008370	Solenoid valve (SV3)	1
13	00009341	Solenoid valve (DS2)	1
14	00002998	Plug SAE4	13
15	00002997	Plug SAE3	10
16	00009455	Solenoid valve spool (SV2.1, SV2.2, SV2.3, SV2.4)	4
17	00004592	Coil	5
18	00009419	Relief valve (RV2)	1
19	00009377	Solenoid valve spool (SV1,SV4)	2
20	00009378	Coil	2
21	00009379	Relief valve (RV1)	1
22	00009334	Proportional valve (FRE1)	1
23	00003351	Plug SAE8	5
24	00004332	Plug SAE10	1
25	00002999	Plug SAE2	28
26	00009339	Pilot-operated check valve (CO1.1, CO1.2, CO1.3, CO1.4)	4
27	00003921	Shuttle valve (LS1.1, LS1.2)	2
28	00001077	Plug VST122×1.5ED	3

404.1 Function Manifold

Item	Part No.	Description	Qty.
29	00009332	Orifice 3/8-16-Φ4.4	1
30	00009335	Check valve (CX2)	1
31	00009337	Flow control valve (FX1)	1

404.2 Function Manifold



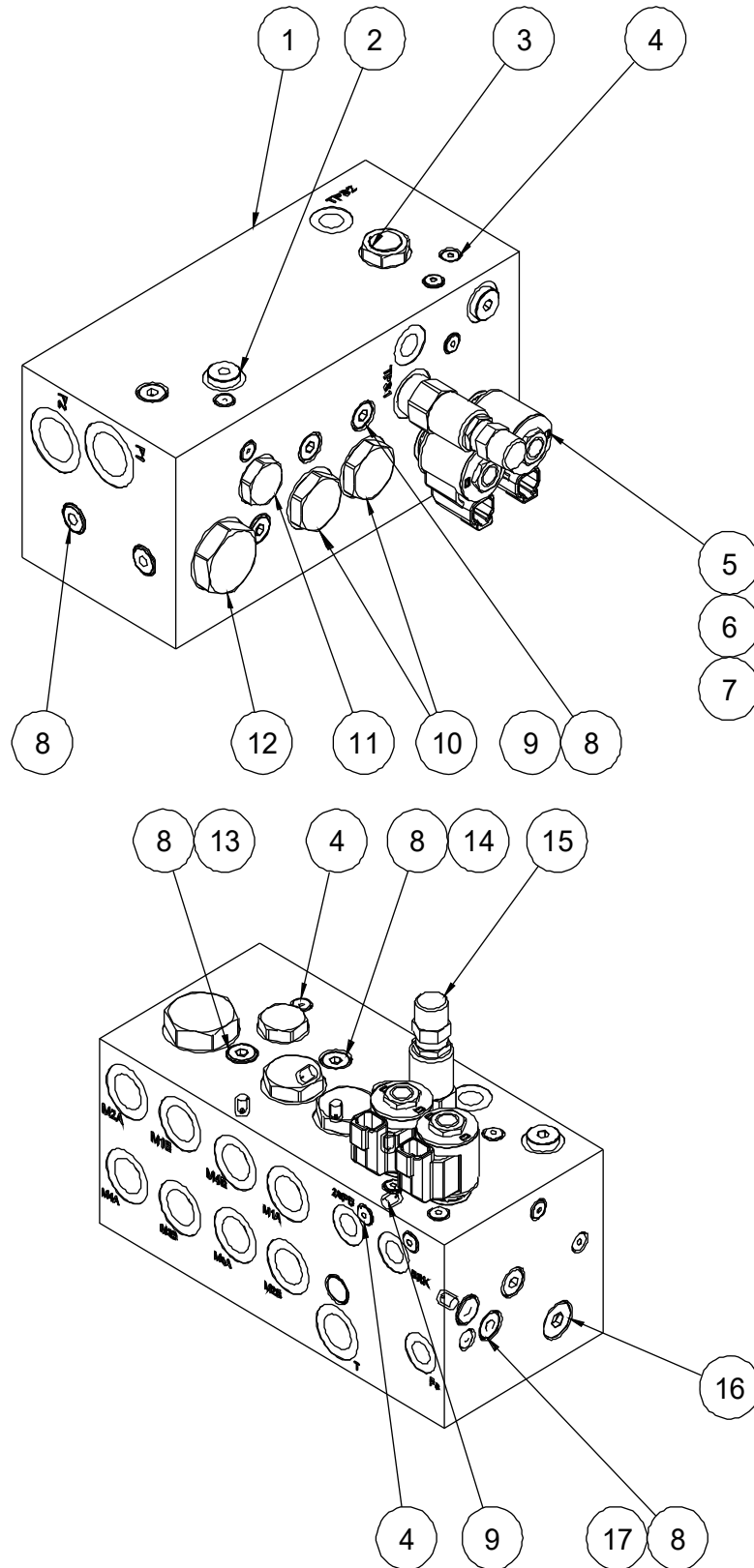
404.2 Function Manifold

Item	Part No.	Description	Qty.
1	00009392	Valve body	1
2	00004383	Plug SAE5	7
3	00009338	Check valve (CX1.1, CX1.2)	2
4	00003361	Plug SAE6	11
5	00008558	Flow control valve (FR3) (matching with Alternator 110V)	1
	00009434	Flow control valve (FR3) (matching with Alternator 220V)	1
6	00008189	Solenoid valve (DS1)	1
7	00001073	Plug VST114×1.5ED	1
8	00009336	Flow control valve (FD1)	1
9	00007826	Relief valve (RV4)	1
10	00007825	Relief valve (RV3)	1
11	00009418	Solenoid valve (SP1.1, SP1.2)	2
12	00008370	Solenoid valve (SV3)	1
13	00009341	Solenoid valve (DS2)	1
14	00002998	Plug SAE4	13
15	00002997	Plug SAE3	10
16	00009640	Solenoid valve spool (SV2.1, SV2.2, SV2.3, SV2.4)	4
17	00009642	Coil	5
18	00009419	Relief valve (RV2)	1
19	00009639	Solenoid valve spool (SV1,SV4)	2
20	00009641	Coil	2
21	00009379	Relief valve (RV1)	1
22	00009334	Proportional valve (FRE1)	1
23	00004592	Coil	1
24	00003351	Plug SAE8	5
25	00004332	Plug SAE10	1
26	00002999	Plug SAE2	28
27	00009339	Pilot-operated check valve (CO1.1, CO1.2, CO1.3, CO1.4)	4
28	00003921	Shuttle valve (LS1.1, LS1.2)	2

404.2 Function Manifold

Item	Part No.	Description	Qty.
29	00001077	Plug VSTI22×1.5ED	3
30	00009332	Orifice 3/8-16-Φ4.4	1
31	00009335	Check valve (CX2)	1
32	00009337	Flow control valve (FX1)	1

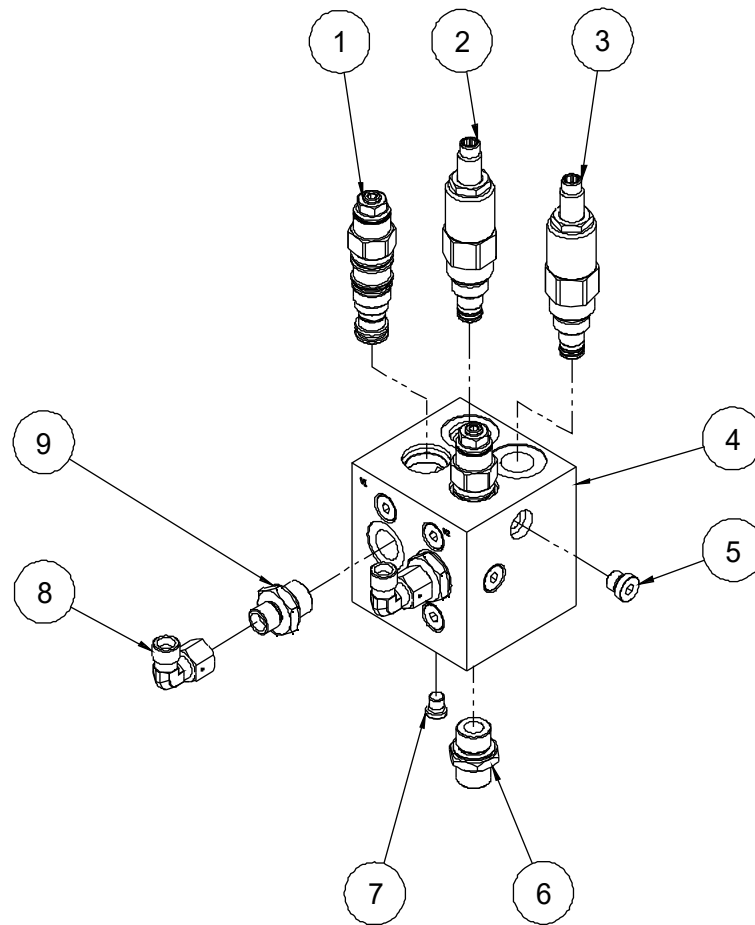
405.1 Drive Manifold



405.1 Drive Manifold

Item	Part No.	Description	Qty.
1	00009984	Valve body	1
2	00001073	Plug VST114×1.5ED	2
3	00003920	Shuttle valve (HS1)	1
4	00002999	Plug SAE2	13
5	00004091	Coil	2
6	00003916	Solenoid valve spool (SV12, SV13)	2
7	00003017	Nut	2
8	00003361	Plug SAE6	12
9	00003000	Orifice $\Phi 1.0$	2
10	00003918	Flow divider/combiner valve (FD1, FD2)	2
11	00003921	Shuttle valve (LS1)	1
12	00003919	Flow divider/combiner valve (FD3)	1
13	00004600	Orifice 3/8-16_ $\Phi 2.3$	1
14	00004596	Orifice 3/8-16_ $\Phi 1.3$	1
15	00003922	Relief valve (RV1)	1
16	00003351	Plug SAE8	1
17	00003578	Orifice $\Phi 0.8$	2

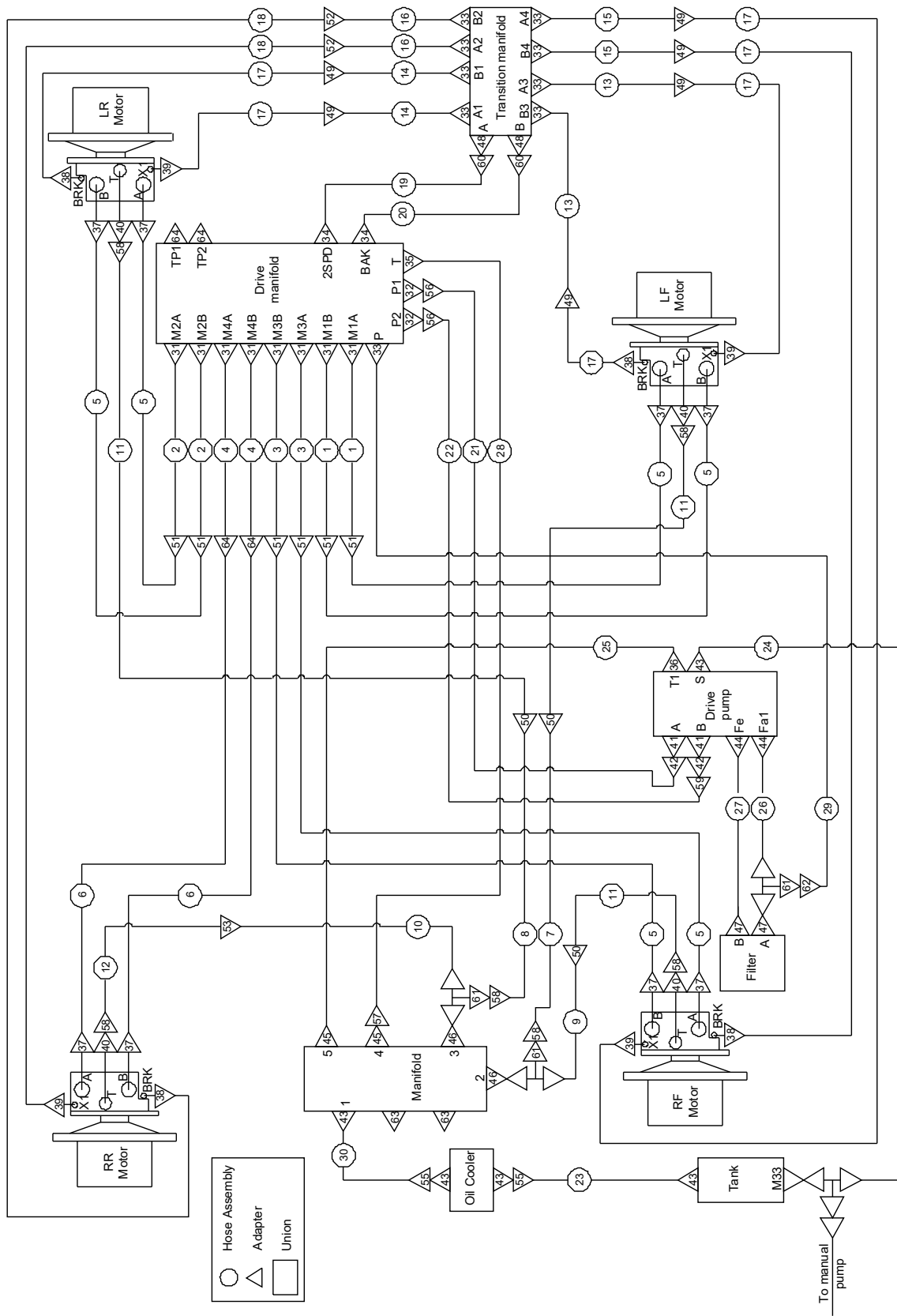
406.1 Counterbalance Manifold Assembly



406.1 Counterbalance Manifold Assembly

Item	Part No.	Description	Qty.
1	00007257	Counterbalance valve spool	2
2	00006792	Relief valve	1
3	00007258	Relief valve	1
4	00007256	Valve body	1
5	00001112	Plug VST11/8ED	8
6	00001262	Straight fitting	2
7	00002999	Plug SAE2	2
8	00001832	Elbow	2
9	00005693	Straight fitting	2

407.1 Hydraulic Hoses and Fittings - Drive



407.1 Hydraulic Hoses and Fittings - Drive

Item	Part No.	Description	Qty.
1	00006365	Hose assembly	2
2	00008798	Hose assembly	2
3	00008799	Hose assembly	2
4	00008800	Hose assembly	2
5	00008801	Hose assembly	6
6	00006368	Hose assembly	2
7	00006370	Hose assembly	1
8	00008802	Hose assembly	1
9	00008803	Hose assembly	1
10	00008804	Hose assembly	1
11	00006371	Hose assembly	3
12	00009107	Hose assembly	1
13	00009054	Hose assembly	2
14	00008816	Hose assembly	2
15	00009244	Hose assembly	2
16	00009245	Hose assembly	2
17	00003641	Hose assembly	6
18	00005511	Hose assembly	2
19	00009321	Hose assembly	1
20	00009326	Hose assembly	1
21	00008805	Hose assembly	1
22	00008806	Hose assembly	1
23	00008807	Hose assembly	1
24	00008808	Hose assembly	1
25	00008809	Hose assembly	1
26	00004546	Hose assembly	1
27	00008810	Hose assembly	1
28	00008797	Hose assembly	1
29	00006899	Hose assembly	1

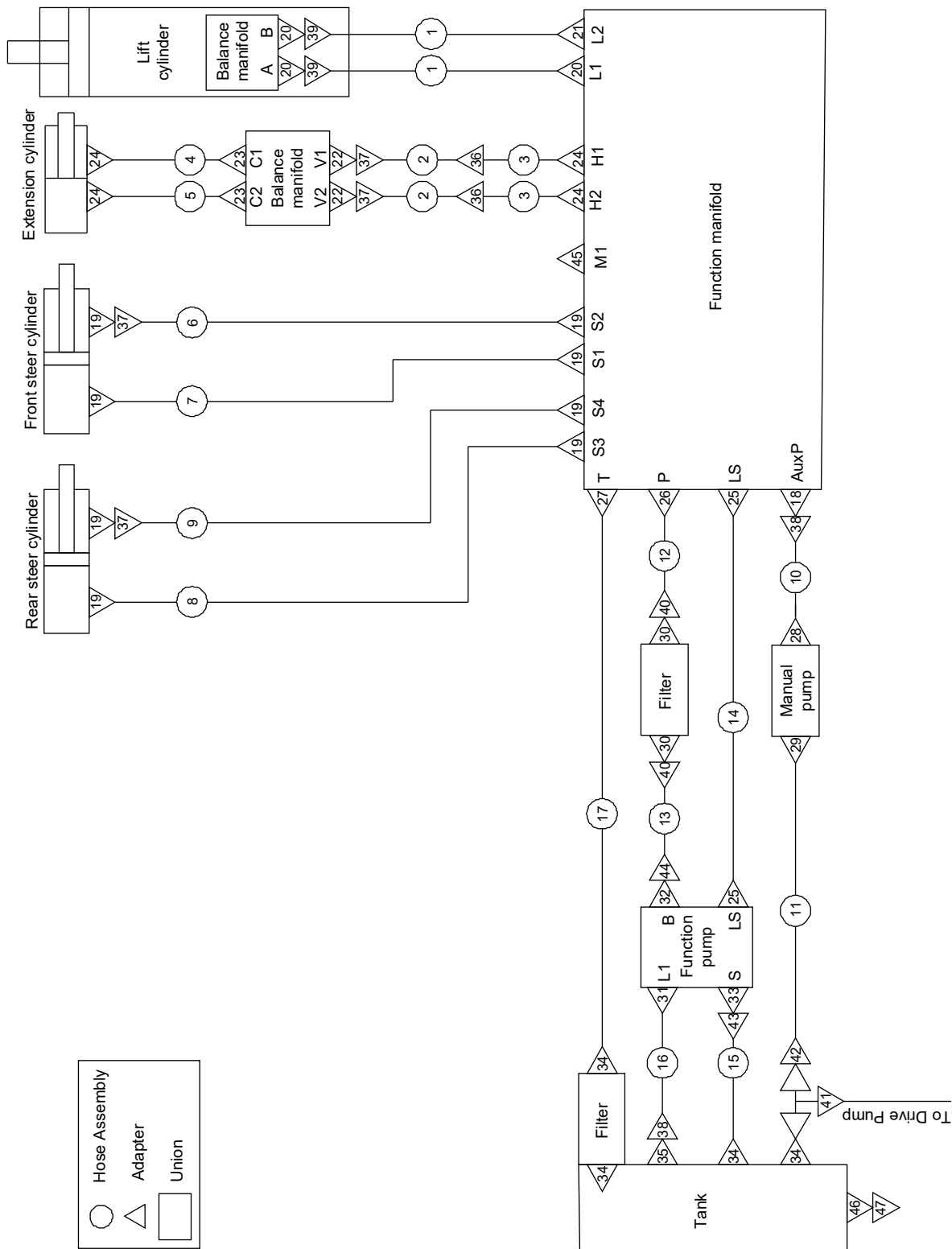
407.1 Hydraulic Hoses and Fittings - Drive

Item	Part No.	Description	Qty.
30	00008817	Hose assembly	1
31	00001283	Straight fitting	8
32	00001285	Straight fitting	2
33	00001282	Straight fitting	9
34	00005693	Straight fitting	2
35	00001270	Straight fitting	1
36	00003943	Straight fitting	1
37	00002073	Straight fitting	8
38	00001769	Straight fitting	4
39	00002072	Straight fitting	4
40	00001775	Straight fitting	4
41	00008673	Flange adapter	2
42	00008672	Flange	2
43	00002071	Straight fitting	5
44	00001264	Straight fitting	2
45	00001269	Straight fitting	2
46	00001266	Straight fitting	2
47	00002069	Straight fitting	2
48	00001262	Straight fitting	2
49	00002135	Straight fitting	6
50	00002138	Straight fitting	3
51	00002145	Straight fitting	6
52	00003867	Elbow	2
53	00003870	Elbow	1
54	00004349	Elbow	2
55	00001837	Elbow	2
56	00001842	Elbow	2
57	00001836	Elbow	1
58	00001835	Elbow	6

407.1 Hydraulic Hoses and Fittings - Drive

Item	Part No.	Description	Qty.
59	00001843	Elbow	1
60	00001834	Elbow	2
61	00001240	Tee fitting	3
62	00005926	Straight fitting	1
63	00001074	Plug VSTI16×1.5ED	2
64	00001073	Plug VSTI14×1.5ED	2

408.1 Hydraulic Hoses and Fittings - Function



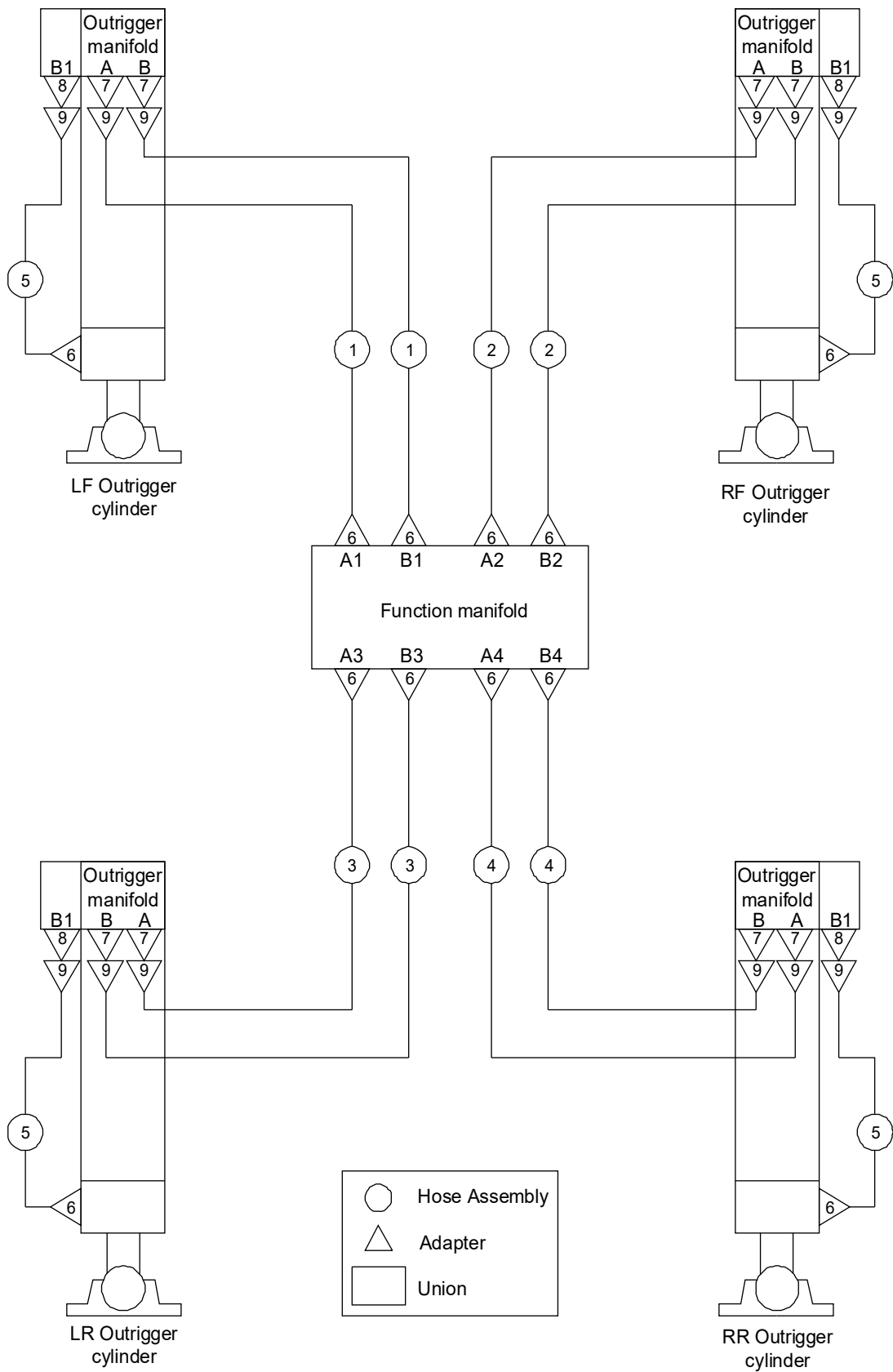
408.1 Hydraulic Hoses and Fittings - Function

Item	Part No.	Description	Qty.
1	00008791	Hose assembly	2
2	00009479	Hose assembly	2
3	00009108	Hose assembly	2
4	00004202	Hose assembly	1
5	00009101	Hose assembly	1
6	00009512	Hose assembly	1
7	00009511	Hose assembly	1
8	00008522	Hose assembly	1
9	00009513	Hose assembly	1
10	00009102	Hose assembly	1
11	00009103	Hose assembly	1
12	00009104	Hose assembly	1
13	00008796	Hose assembly	1
14	00009105	Hose assembly	1
15	00009106	Hose assembly	1
16	00009248	Hose assembly	1
17	00009214	Hose assembly	1
18	00001266	Straight fitting	1
19	00002921	Straight fitting	8
20	00008469	Straight fitting	3
21	00008831	Straight fitting	1
22	00005693	Straight fitting	2
23	00001262	Straight fitting	2
24	00001294	Straight fitting	4
25	00001290	Straight fitting	2
26	00003692	Straight fitting	1
27	00002071	Straight fitting	1
28	00001507	Straight fitting	1
29	00001506	Straight fitting	1

408.1 Hydraulic Hoses and Fittings - Function

Item	Part No.	Description	Qty.
30	00003963	Straight fitting	2
31	00001264	Straight fitting	1
32	00006180	Flange adapter	1
33	00009079	Flange adapter	1
34	00003964	Straight fitting	4
35	00006556	Straight fitting	1
36	00009112	Straight fitting	2
37	00001832	Elbow	4
38	00001835	Elbow	2
39	00006447	Elbow	2
40	00001842	Elbow	2
41	00001242	Tee fitting	1
42	00003844	Straight fitting	1
43	90009892	Flange	1
44	90003625	Flange	1
45	00001073	Plug VSTI14×1.5ED	1
46	50000197	G3/4 Plug	1
47	50000523	Washer	1

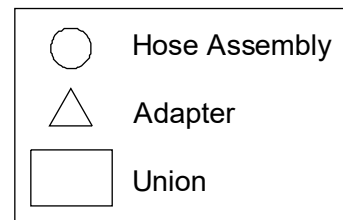
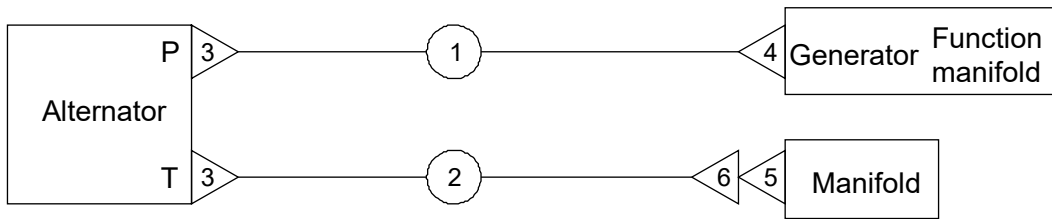
409.1 Hydraulic Hoses and Fittings - Outrigger



409.1 Hydraulic Hoses and Fittings - Outrigger

Item	Part No.	Description	Qty.
1	00008811	Hose assembly	2
2	00008812	Hose assembly	2
3	00008813	Hose assembly	2
4	00008814	Hose assembly	2
5	00008815	Hose assembly	4
6	00001282	Straight fitting	12
7	00003758	Straight fitting	8
8	00010021	Straight fitting	4
9	00001832	Elbow	12

410.1 Hydraulic Hoses and Fittings - Alternator (Option)

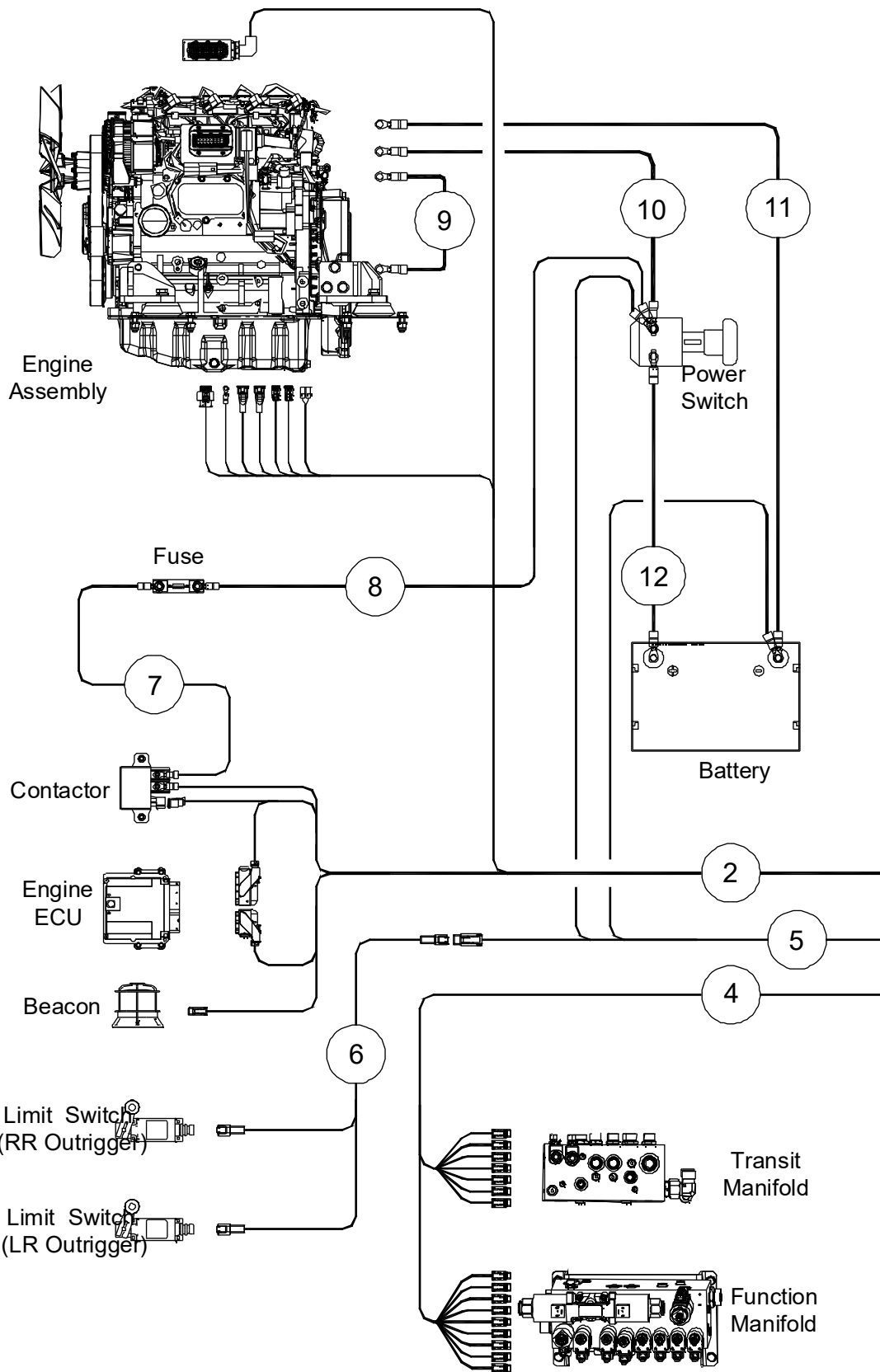


410.1 Hydraulic Hoses and Fittings - Alternator (Option)

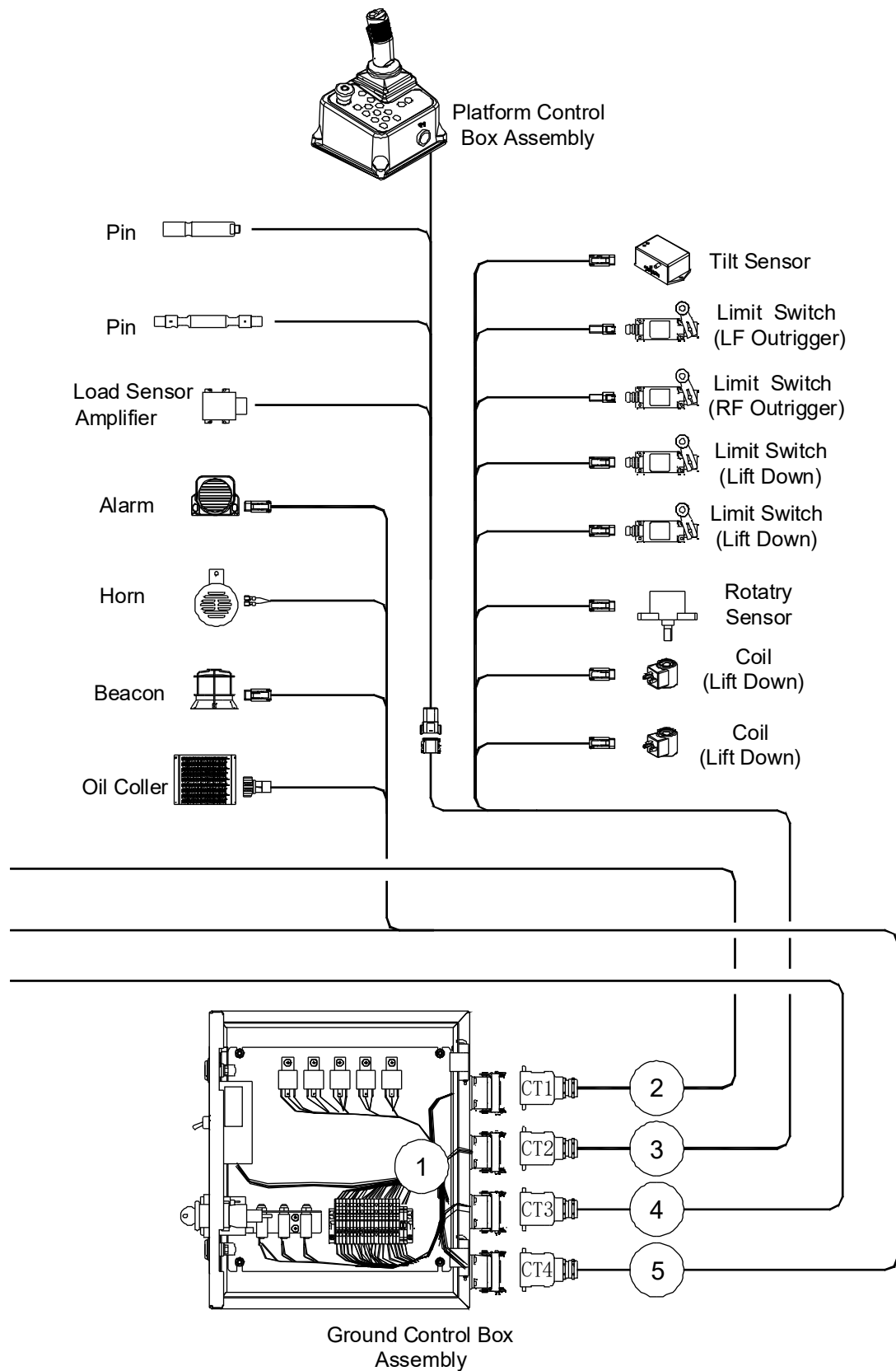
Item	Part No.	Description	Qty.
1	00009386	Hose assembly	1
2	00009387	Hose assembly	1
3	00001506	Straight fitting	2
4	00001266	Straight fitting	1
5	00001265	Straight fitting	1
6	00001835	Elbow	1

Section 5 Electrical System

501.1 Electrical Harness



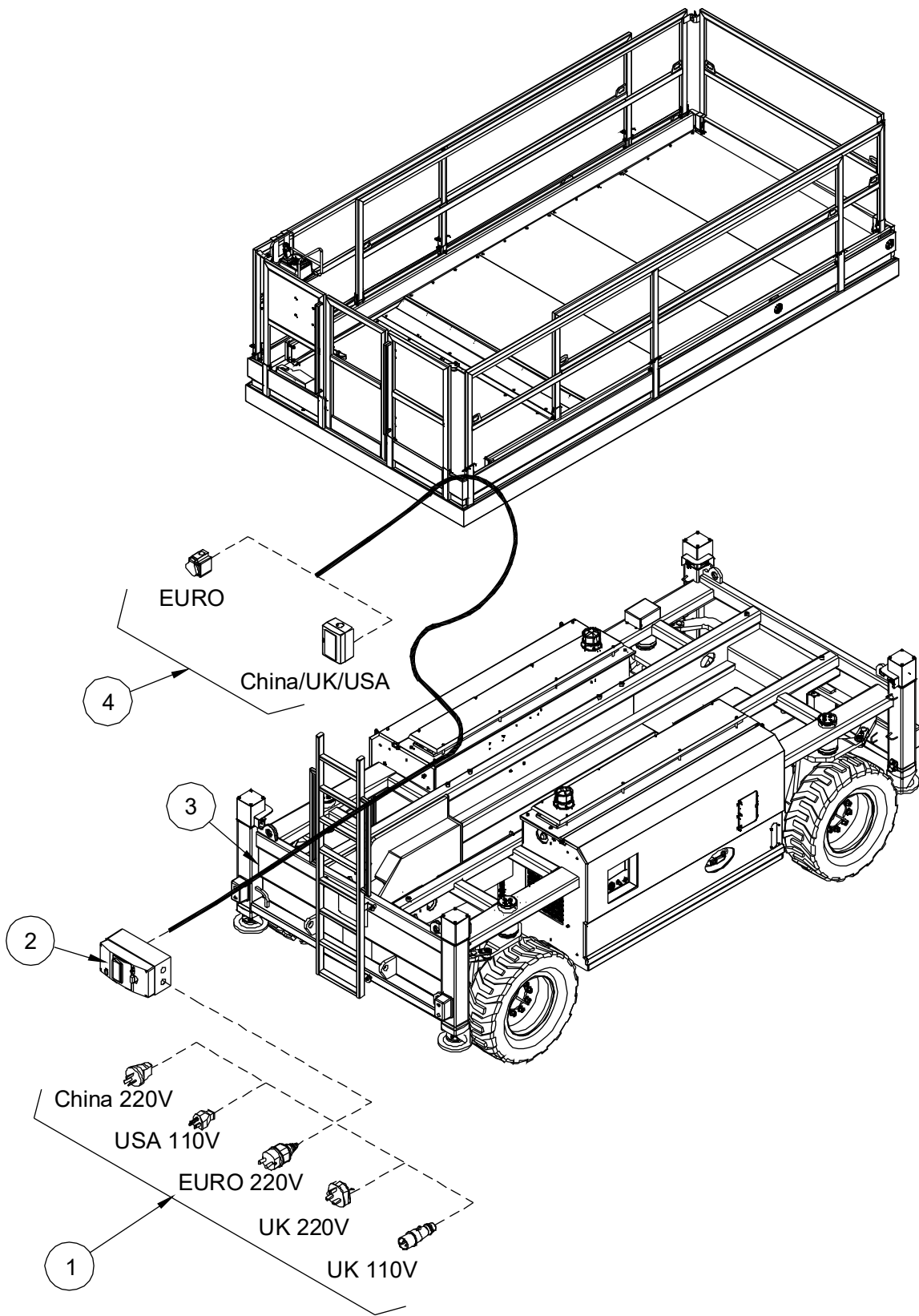
501.1 Electrical Harness



501.1 Electrical Harness

Item	Part No.	Description	Qty.
1	00008896	Ground control box harness	1
2	00008897	CT1 harness	1
3	00008898	CT2 harness	1
4	00008899	CT3 harness	1
5	00008901	CT4 harness	1
6	00008902	Outrigger harness	1
7	00007043	Preheat contactor harness	1
8	00008905	Preheat fuse harness	1
9	00008906	Engine harness	1
10	00008904	Starter motor harness	1
11	00008907	Engine negative harness	1
12	00008903	Battery positive harness	1

502.1 Power to Platform

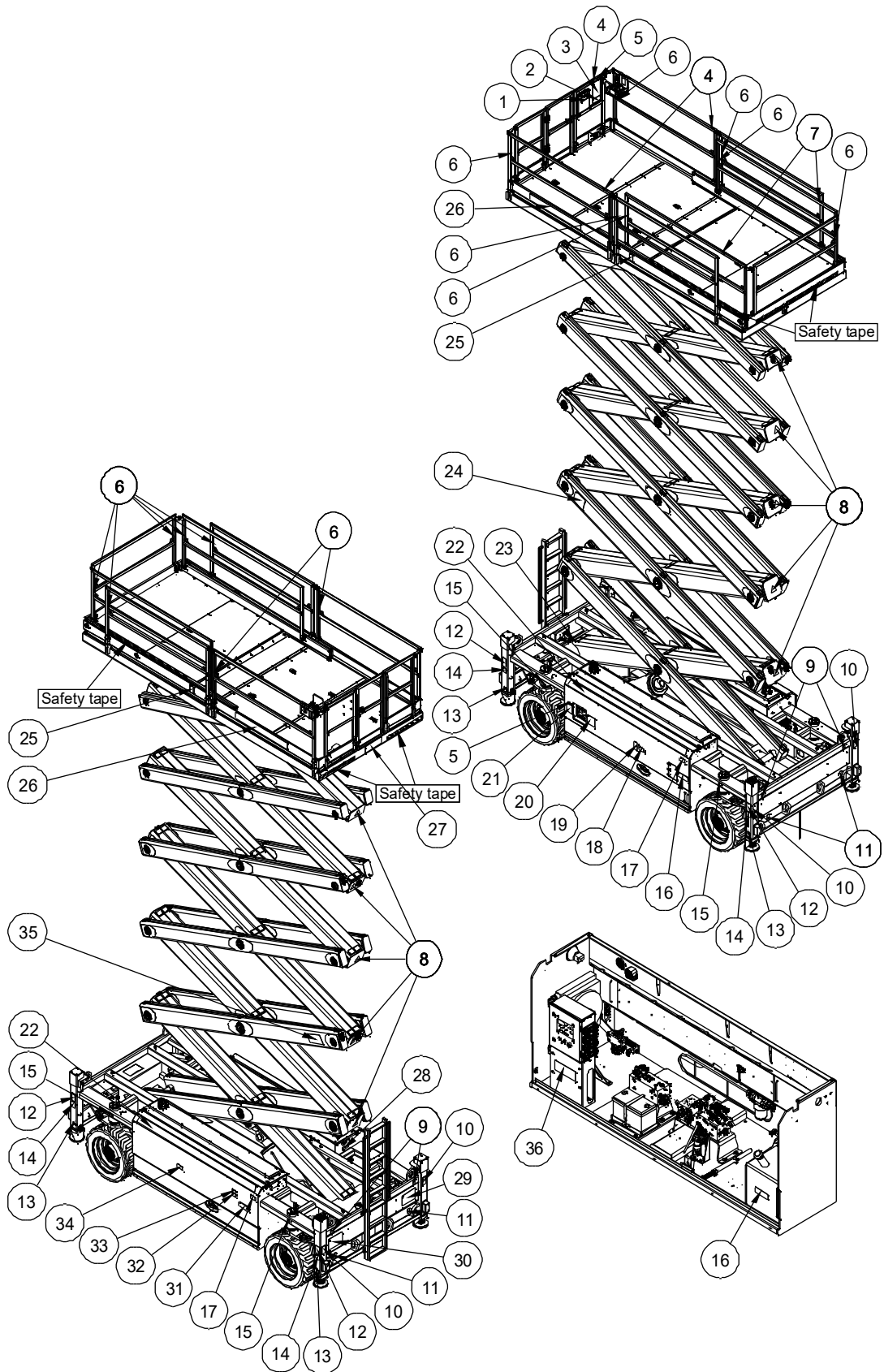


502.1 Power to Platform

Item	Part No.	Description	Qty.
1	00003148	AC plug (China 220V)	1
	00003149	AC plug (USA 110V)	1
	00003151	AC plug (European 220V)	1
	00003150	AC plug (UK 220V)	1
	00002615	AC plug (UK 110V)	1
2	00002634	Circuit breaker (Option)	1
3	00009773	Wire cable, platform AC power	1
4	00002709	AC socket (European)	1
	00000668	AC socket (China/UK/USA)	1

Section 6 Decal

601.1 Decals with Words



601.1 Decals with Words

Item	Part No.	Description	Qty.
1	09340001	Decal, Notice-Keep the manual with the machine	1
2	09440119	Decal, Danger-Tip-over hazard, tilt-alarm	1
3	09440001	Decal, Danger-General safety rules	1
4	09340070	Decal, Symbols-Non operating hand position	3
5	09340003	Decal, Instructions-Refer the operator to the instructions for use	2
6	09440011	Decal, Label-Lanyard anchorage point	14
7	09440212	Decal, Warning-Crushing hazard	2
8	09430007	Decal, Symbols-Crushing hazard	10
9	09310049	Decal, Instructions-Lift point	4
10	09420005	Decal, Warning-Collision hazard	4
11	09310050	Decal, Instructions-Tie down point	4
12	09410069	Decal, Warning-Crushing hazard, outrigger	4
13	09310498	Decal, Instructions-Maximum outrigger load 8300kg	4
14	09410157	Decal, Symbols-Outrigger using warning	4
15	09310497	Decal, Instructions-Maximum wheel load 8300kg	4
16	09320003	Decal, Instructions-Diesel	2
17	09540001	Decal, Label-CE	2
18	09310148	Decal, Instructions-Emergency	1
19	09410071	Decal, Warning-Injection hazard	1
20	09410001	Decal, Danger-Explosion/burn hazard	1
21	09410003	Decal, Warning-Inspected and operation properly	1
22	09910094	Decal, Label-JCPT2825RT	2
23	09410005	Decal, Danger-Do not alter or disable limit switch	1
24	09330012	Decal, Instructions-Grease filling port	1
25	09440007	Decal, Caution-Max. manual force 400N	2
26	09640211	Decal, Cosmetic-JCPT2825RT	2
27	09440434	Decal, Label-Capacity 1000kg	1
28	09410136	Decal, Caution-Main power switch operation	1

601.1 Decals with Words

Item	Part No.	Description	Qty.
29	09310508	Decal, Instructions-Grease filling port	1
30	09310510	Decal, Instructions-Grease filling port	1
31	09310054	Decal, Instructions-Hydraulic	1
32	09310052	Decal, Instructions-Highest oil level	1
33	09310053	Decal, Instructions-Lowest oil level	1
34	09420011	Decal, Caution-High temperature	1
35	09330010	Decal, Instructions-Grease filling port	1
36	09310501	Decal, Symbols-Emergency operating instructions	1

601.1 Decals with Words

1 09340001



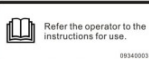
2 09440119



4 09340070



5 09340003



3 09440001



6 09440011



7 09440212



10 09420005



8 09430007



9 09310049



12 09410069



11 09310050



14 09410157



13 09310498



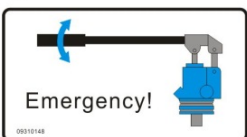
15 09310497



17 09540001



18 09310148



16 09320003



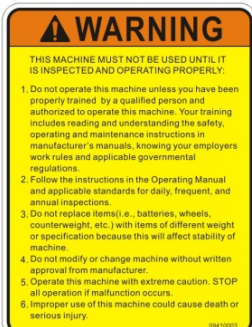
20 09410001



19 09410071



21 09410003



25 09440007



23 09410005



22 09910094



601.1 Decals with Words

26 09640211

JCPT2825RT

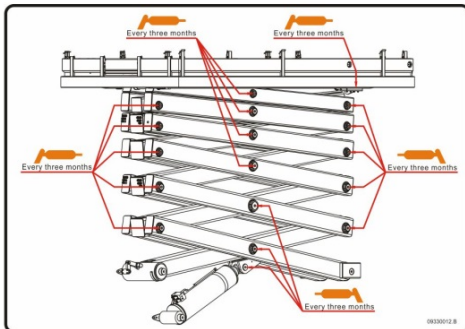
27 09440434



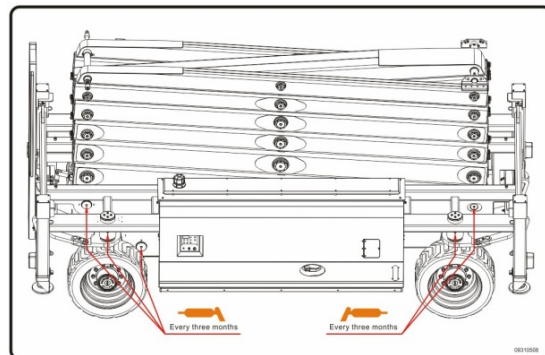
28 09410136



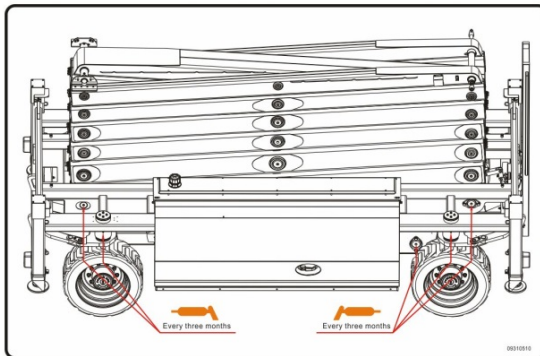
24 09330012



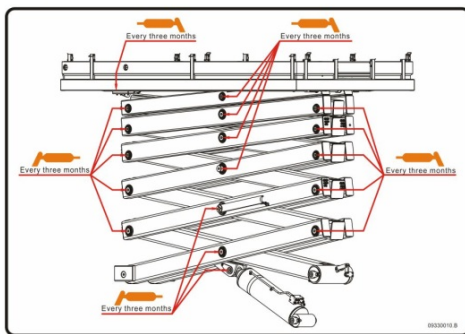
29 09310508



30 09310510



35 09330010



31 09310054



32 09310052



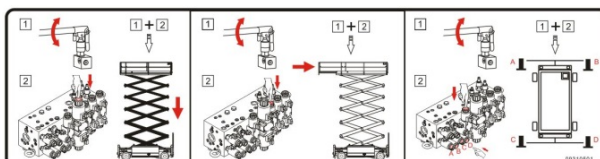
33 09310053



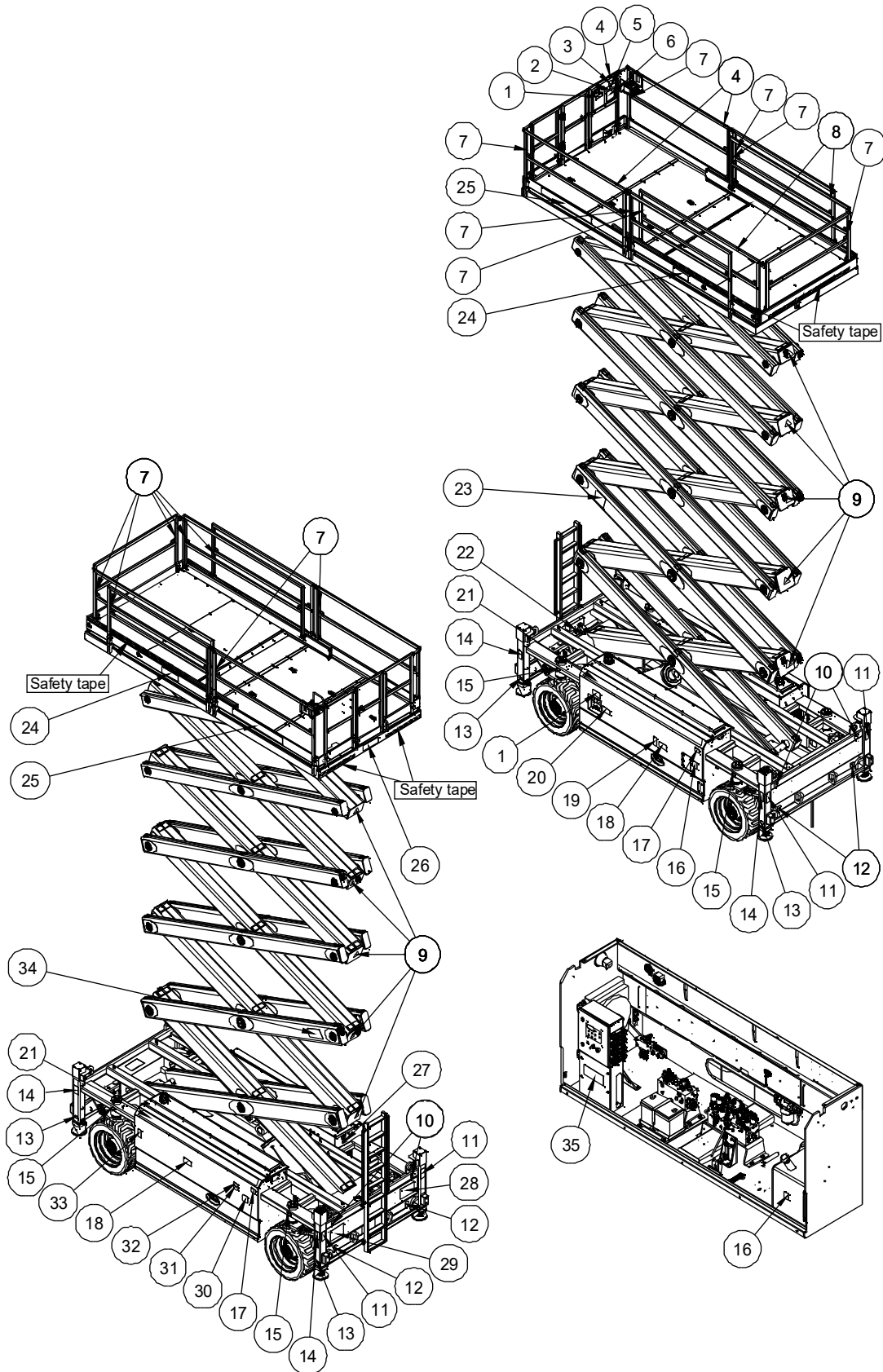
34 09420011



36 09310501



602.1 Decals with Symbols
















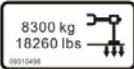






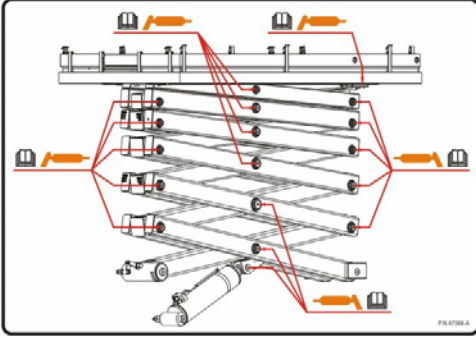

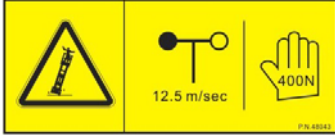

602.1 Decals with Symbols

Item	Part No.	Description	Qty.
1	09340026	Decal, Symbols-Refer the operator to the instructions for use	2
2	09440094	Decal, Symbols-Tip-over hazard, outrigger	1
3	09340028	Decal, Instructions-Directional arrows	1
4	09340070	Decal, Symbols-Non operating hand position	3
5	09440090	Decal, Symbols-Tip-over hazard, tilt-alarm	1
6	09440091	Decal, Symbols-General safety rules	1
7	09440089	Decal, Label-Lanyard anchorage point	14
8	09440212	Decal, Warning-Crushing hazard	2
9	09430007	Decal, Symbols-Crushing hazard	10
10	09310049	Decal, Instructions-Lift point	4
11	09410043	Decal, Symbols-Collision hazard	4
12	09310050	Decal, Instructions-Tie down point	4
13	09310498	Decal, Instructions-Maximum outrigger load: 8300kg	4
14	09410042	Decal, Symbols-Crushing hazard	4
15	09310497	Decal, Instructions-Maximum wheel load 8300kg	4
16	09310072	Decal, Instructions-Diesel	2
17	09540001	Decal, Label-CE	2
18	09410049	Decal, Symbols-Electrocution hazard	2
19	09410050	Decal, Symbols-Injection hazard	1
20	09410048	Decal, Symbols-Explosion/burn hazard	1
21	09910094	Decal, Label-JCPT2825RT	2
22	09410051	Decal, Symbols-Do not alter or disable limit switch	1
23	09330015	Decal, Symbols-Grease filling port	1
24	09440072	Decal, Symbols-Max. manual force 400N	2
25	09640211	Decal, Label-JCPT2825RT	2
26	09440434	Decal, Label-Capacity 1000kg	1
27	09310078	Decal, Symbols-Main power switch operation	1
28	09310495	Decal, Symbols-Grease filling port	1

602.1 Decals with Symbols

Item	Part No.	Description	Qty.
29	09310496	Decal, Symbols-Grease filling port	1
30	09310073	Decal, Instructions-Hydraulic	1
31	09310053	Decal, Instructions-Lowest oil level	1
32	09310052	Decal, Instructions-Highest oil level	1
33	09410044	Decal, Symbols-Burn hazard	1
34	09330014	Decal, Symbols-Grease filling port	1
35	09310501	Decal, Symbols-Emergency operating instructions	1

602.1 Decals with Symbols

① 09340026 	② 09440094 	③ 09340028 	⑥ 09440091 
④ 09340070 	⑤ 09440090 	⑦ 09440089 	
⑧ 09440212 	⑩ 09310049 	⑪ 09410043 	⑫ 09310050 
⑨ 09430007 	⑬ 09310498 	⑮ 09310497 	
⑭ 09410042 	⑯ 09410050 	⑰ 09540001 	⑱ 09410049 
⑳ 09410048 	㉓ 09330015 		
㉒ 09410051 	㉔ 09440072 		
㉕ 09910094 	JCPT2825RT : 4*4*4 SELF-PROPELLED ROUGH-TERRAIN SCISSOR LIFTS		

602.1 Decals with Symbols

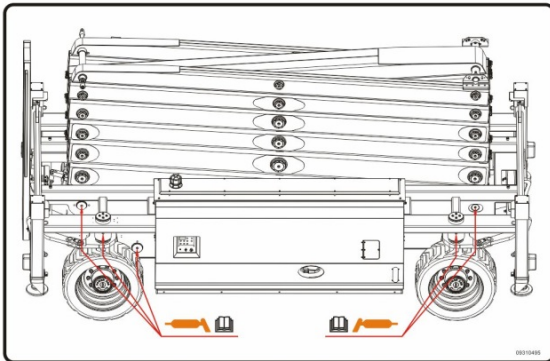
25) 09640211

JCPT2825RT

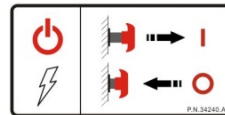
26) 09440434



28) 09310495



27) 09310078



30) 09310073



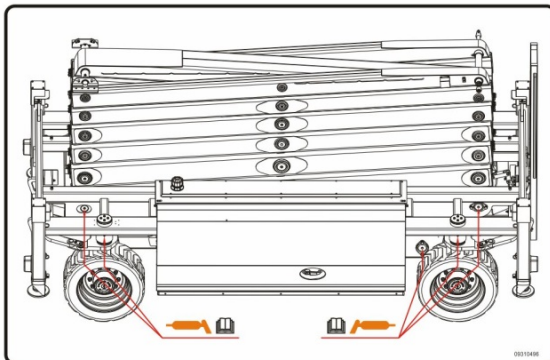
31) 09310053



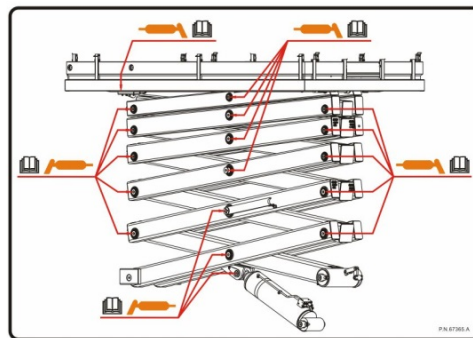
32) 09310052



29) 09310496



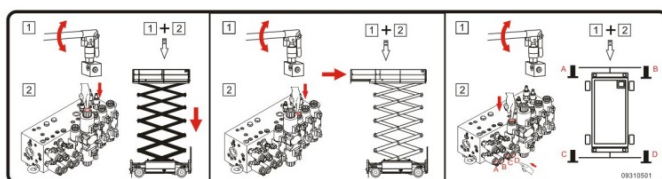
34) 09330014



33) 09410044



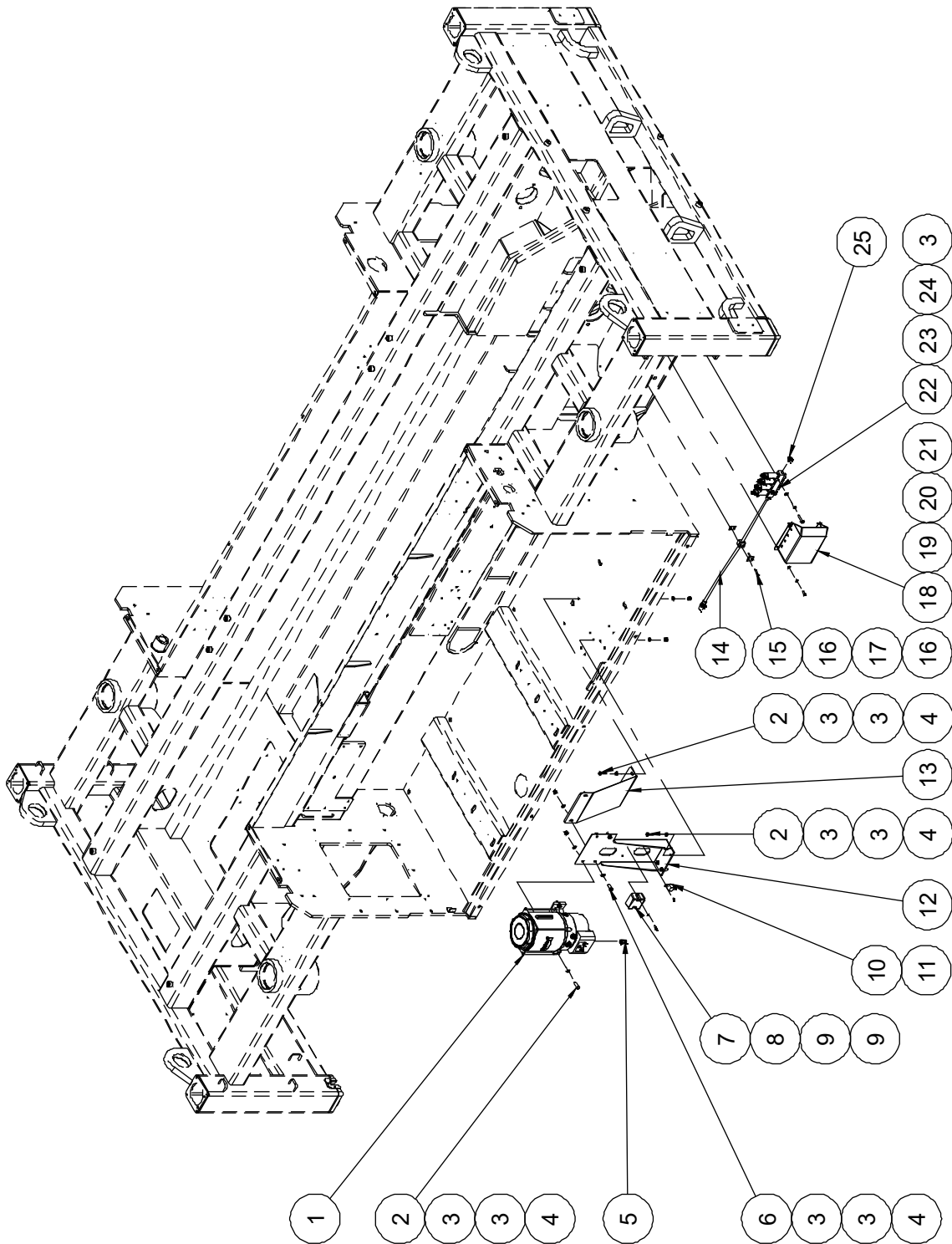
35) 09310501



Section 7

Automatic Lubrication Systems

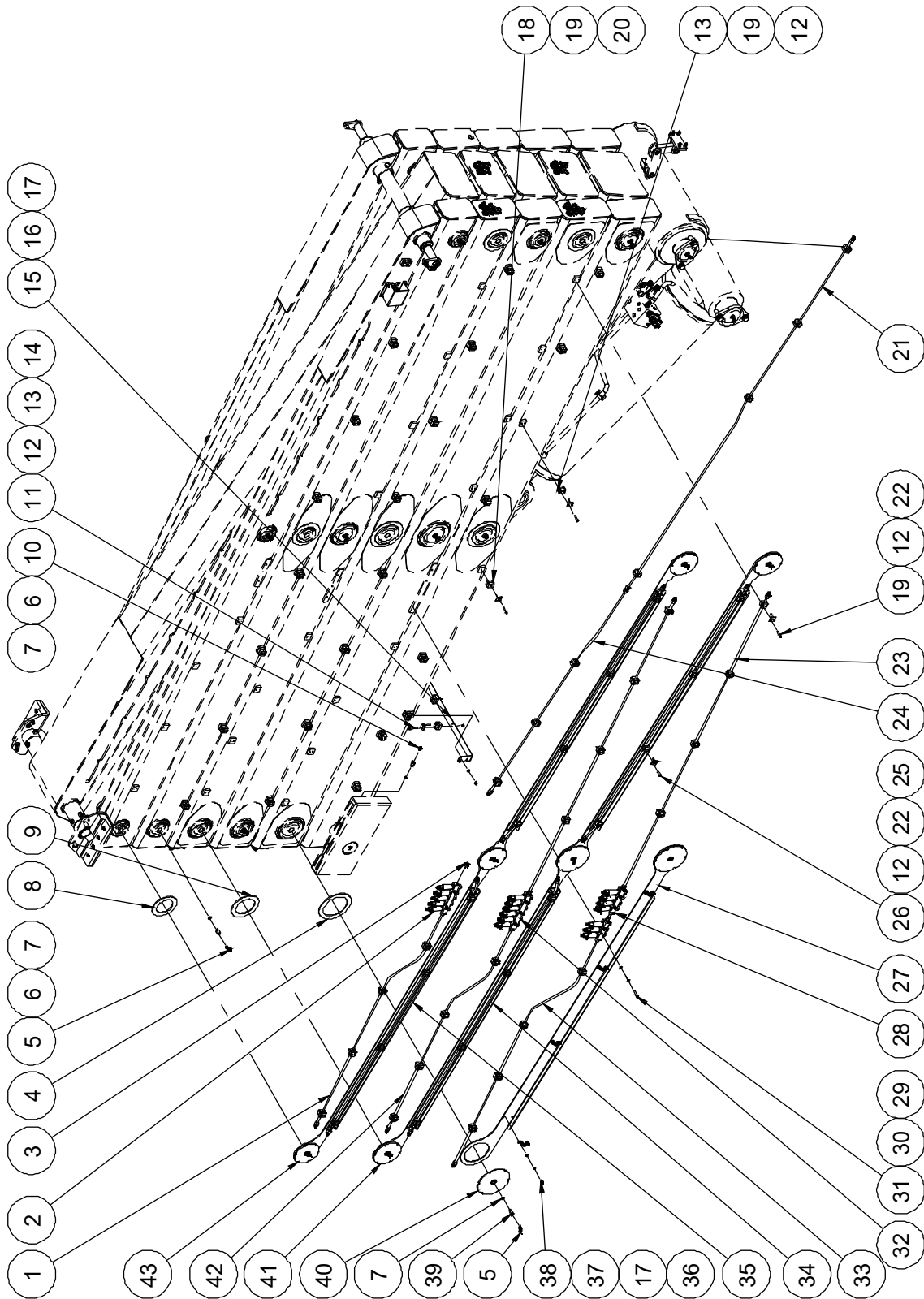
701.1 Automatic Lubrication Systems - Chassis Components



701.1 Automatic Lubrication Systems - Chassis Components

Item	Part No.	Description	Qty.
1	00008660	Pump	1
2	00000684	Bolt GB/T 5783 M10×35	8
3	00000615	Washer GB/T 97.1 10	22
4	00000623	Nut GB/T 6182 M10	10
5	00008939	Straight fitting	1
6	00000683	Bolt GB/T 5783 M10×30	2
7	00008922	Power (12V to 24V)	1
8	00001252	Screw GB/T 70.1 M5×12	2
9	00000605	Washer GB/T 97.1 5	2
10	00002206	Relay	1
11	00001010	Screw GB/T 973 M5×8	1
12	10018299	Pump bracket	1
13	10018530	Support plate	1
14	10020666	Pipe assembly 10	1
15	00002312	Bolt GB/T 5782 M6×45	2
16	00008840	Base plate	2
17	00008826	Hose clamp	1
18	10018529	Cover	1
19	00000875	Bolt GB/T 5783 M8×20	4
20	00000609	Washer GB/T 93 8	4
21	00000608	Washer GB/T 97.1 8	4
22	10019770	QSL metering device assembly 2	1
--	00008662	QSL metering device	1
--	00008958	Straight fitting	4
23	00002411	Bolt GB/T 5783 M10×45	2
24	00000679	Washer GB/T 93 10	2
25	00001113	Plug VSTI3/8ED	1

702.1 Automatic Lubrication Systems - Scissor Components

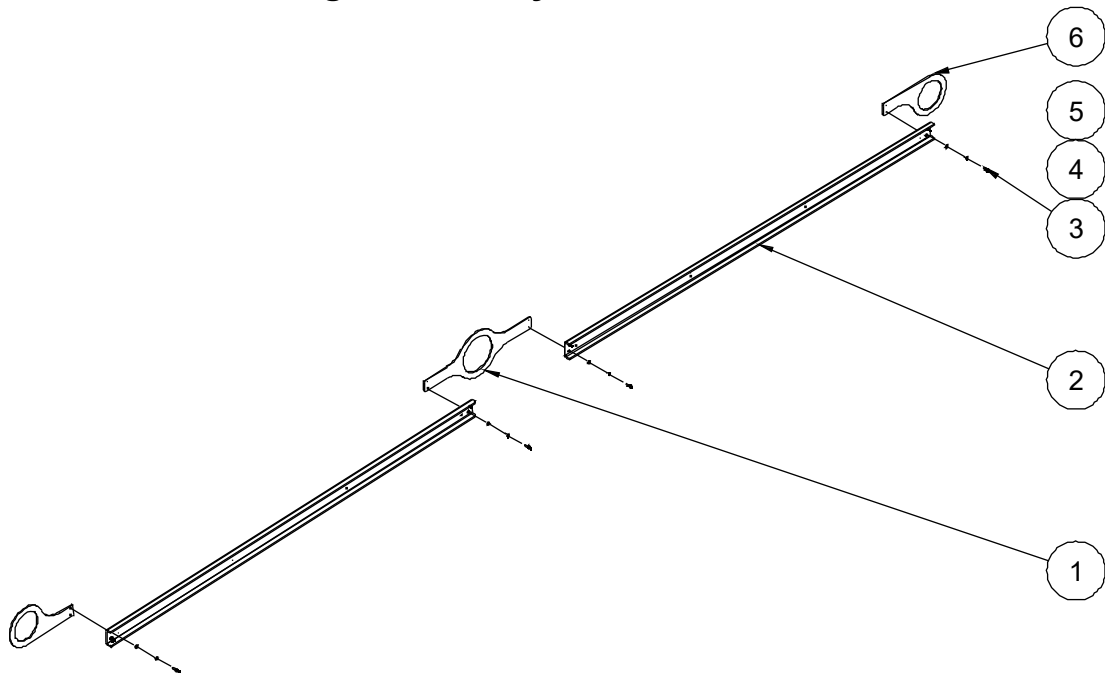


702.1 Automatic Lubrication Systems - Scissor Components

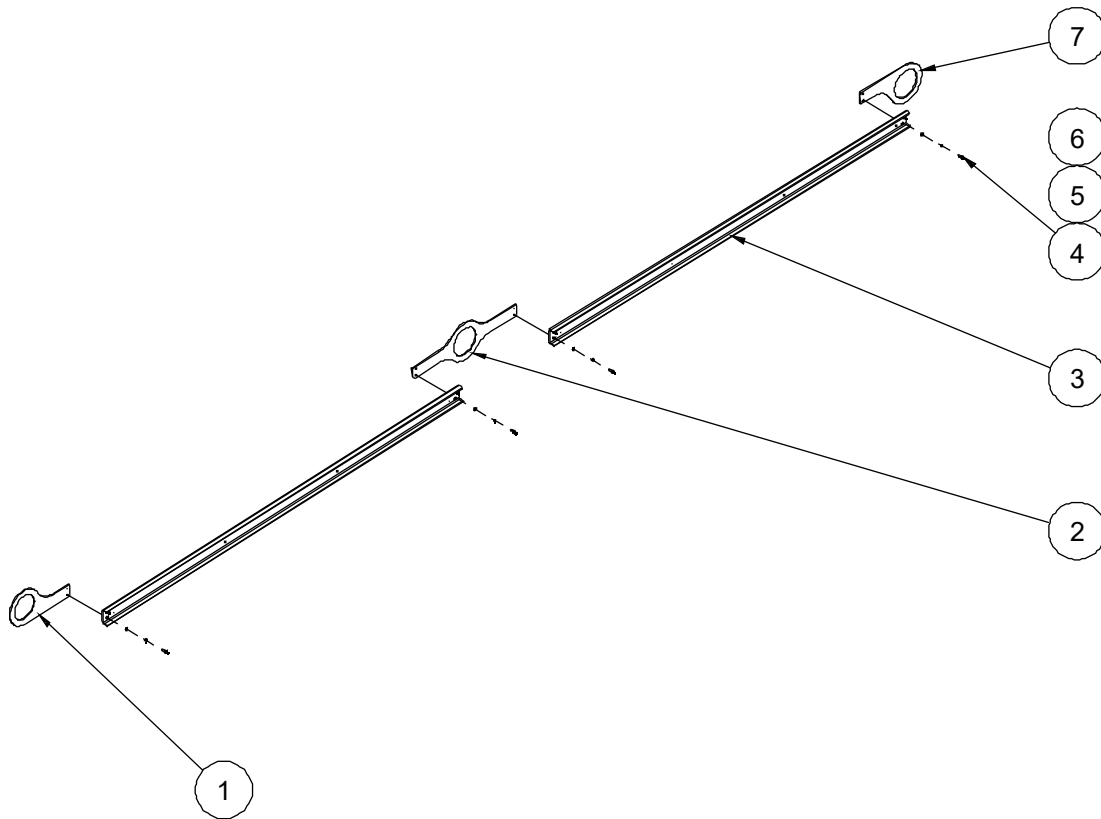
Item	Part No.	Description	Qty.
1	10020664	Pipe assembly 7	1
2	10019769	QSL metering device assembly 4	1
--	00008663	QSL metering device	1
--	00008958	Straight fitting	5
3	00001113	Plug VSTI3/8ED	1
4	10020637	Washer 3	6
5	00008665	Elbow	20
6	10018295	Fitting 1	14
7	00001332	Washer JB/T 982 10	22
8	10019172	Washer 1	2
9	10019173	Washer 2	8
10	00008846	Straight fitting	2
11	00002312	Bolt GB/T 5782 M6×45	4
12	00008840	Base plate	71
13	00008827	Hose clamp	28
14	00001033	Nut GB/T 6182 M6	4
15	10020636	Hose bridge 4	1
16	00000745	Bolt GB/T 5783 M6×12	4
17	00000620	Washer GB/T 97.1 6	12
18	00008839	Hose clamp	2
19	00003176	Bolt GB/T 5782 M6×40	108
20	00008844	Base plate TT-G1	2
21	10020639	Pipe assembly 1	1
22	00008826	Hose clamp	43
23	10020645	Pipe assembly 4	2
24	10020641	Pipe assembly 2	1
25	10020647	Pipe assembly 5	4
26	00005158	Bolt GB/T 5782 M6×35	32
27	10020632	Hose bridge 1	1

702.1 Automatic Lubrication Systems - Scissor Components

Item	Part No.	Description	Qty.
28	10019394	QSL metering device assembly 1	1
--	00008825	QSL metering device	1
--	00008662	QSL metering device	1
--	10019226	Pipe assembly 4	1
--	00008958	Straight fitting	7
29	00000608	Washer GB/T 97.1 8	9
30	00000609	Washer GB/T 93 8	9
31	00002604	Bolt GB/T 5783 M8×40	9
32	10019771	QSL metering device assembly 3	1
--	00008664	QSL metering device	1
--	00008958	Straight fitting	6
33	10020643	Pipe assembly 3	1
34		Cable bridge assembly 1 (refer to 703.1)	1
35		Cable bridge assembly 2 (refer to 704.1)	1
36	10014141	Clamp	4
37	00000621	Washer GB/T 93 6	8
38	00008512	Screw GB/T 70 M6×10	8
39	10019190	Fitting 3	8
40	10020669	Protection plate 3	3
41	10019178	Protection plate 2	4
42	10020649	Pipe assembly 6	1
43	10019177	Protection plate 1	1

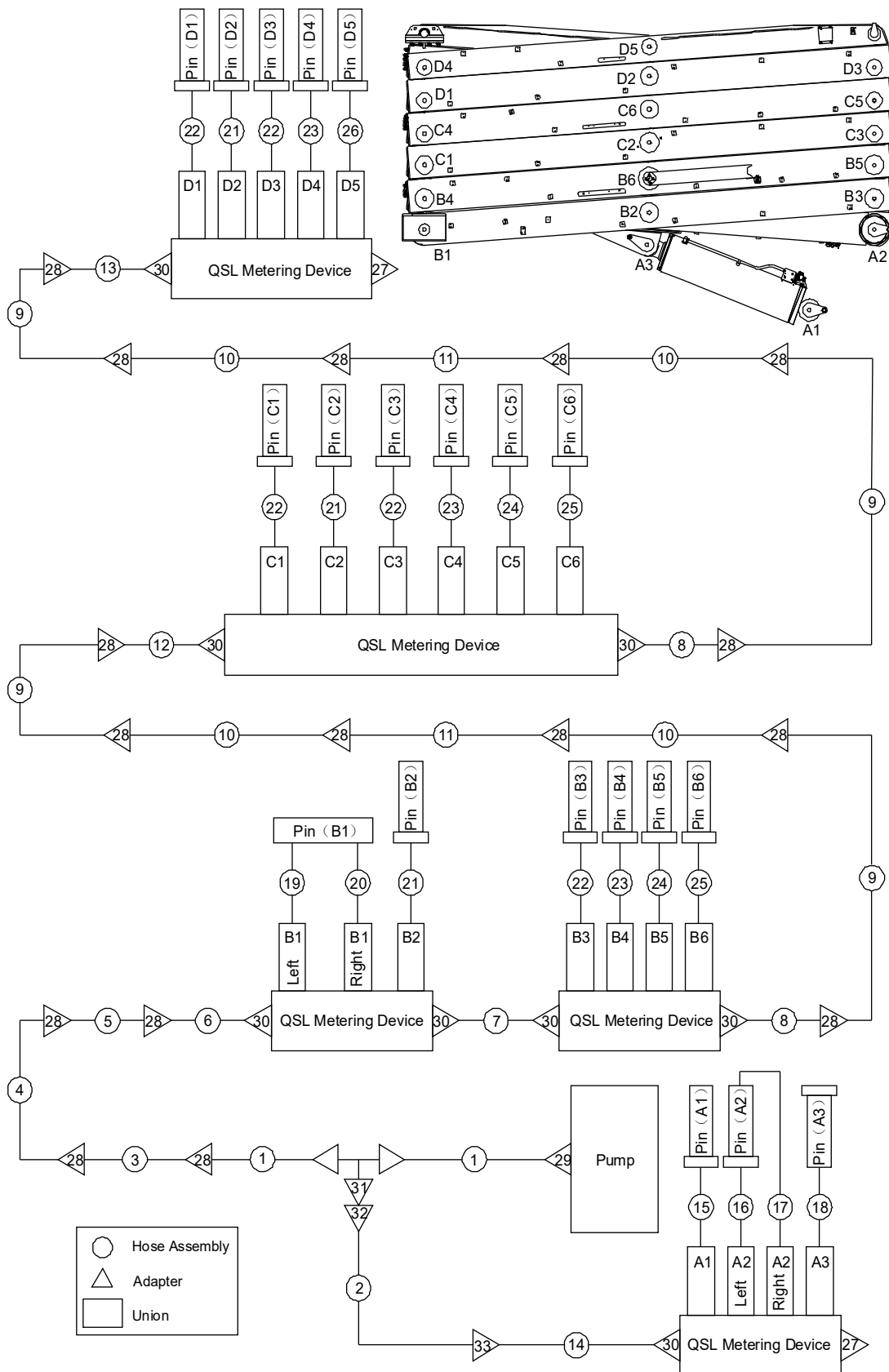
703.1 Cable Bridge Assembly 1**703.1 Cable Bridge Assembly 1**

Item	Part No.	Description	Qty.
1	10020839	Cable bridge bracket	1
2	10020838	Cable bridge	2
3	00000876	Screw GB/T 70 M6×16	8
4	00000621	Washer GB/T 93 6	8
5	00000620	Washer GB/T 97.1 6	8
6	10020840	Cable bridge bracket	2

704.1 Cable Bridge Assembly 2**704.1 Cable Bridge Assembly 2**

Item	Part No.	Description	Qty.
1	10020844	Cable bridge bracket	1
2	10020843	Cable bridge bracket	1
3	10020838	Cable bridge	2
4	00000876	Screw GB/T 70 M6×16	8
5	00000621	Washer GB/T 93 6	8
6	00000620	Washer GB/T 97.1 6	8
7	10020840	Cable bridge bracket	1

705.1 Automatic Lubrication Systems - Hoses and Fittings



705.1 Automatic Lubrication Systems - Hoses and Fittings

Item	Part No.	Description	Qty.
1	00004529	Hose assembly	2
2	00008865	Hose assembly	1
3	10020639	Pipe assembly 1	1
--	10020640	Pipe 1	1
--	00008836	Retaining Nut M16×1.5	2
--	00008837	Cutting ring 10	2
4	10020641	Pipe assembly 2	1
--	10020642	Pipe 2	1
--	00008836	Retaining Nut M16×1.5	2
--	00008837	Cutting ring 10	2
5	00005030	Hose assembly	1
6	10020643	Pipe assembly 3	1
--	10020644	Pipe 3	1
--	00008836	Retaining Nut M16×1.5	2
--	00008837	Cutting ring 10	2
7	10019226	Pipe assembly 4	1
--	10019227	Pipe 4	1
--	00008836	Retaining Nut M16×1.5	2
--	00008837	Cutting ring 10	2
8	10020645	Pipe assembly 4	2
--	10020646	Pipe 4	1
--	00008836	Retaining Nut M16×1.5	2
--	00008837	Cutting ring 10	2
9	00008862	Hose assembly	4
10	10020647	Pipe assembly 5	4
--	10020648	Pipe 5	1
--	00008836	Retaining Nut M16×1.5	2
--	00008837	Cutting ring 10	2
11	00008861	Hose assembly	2

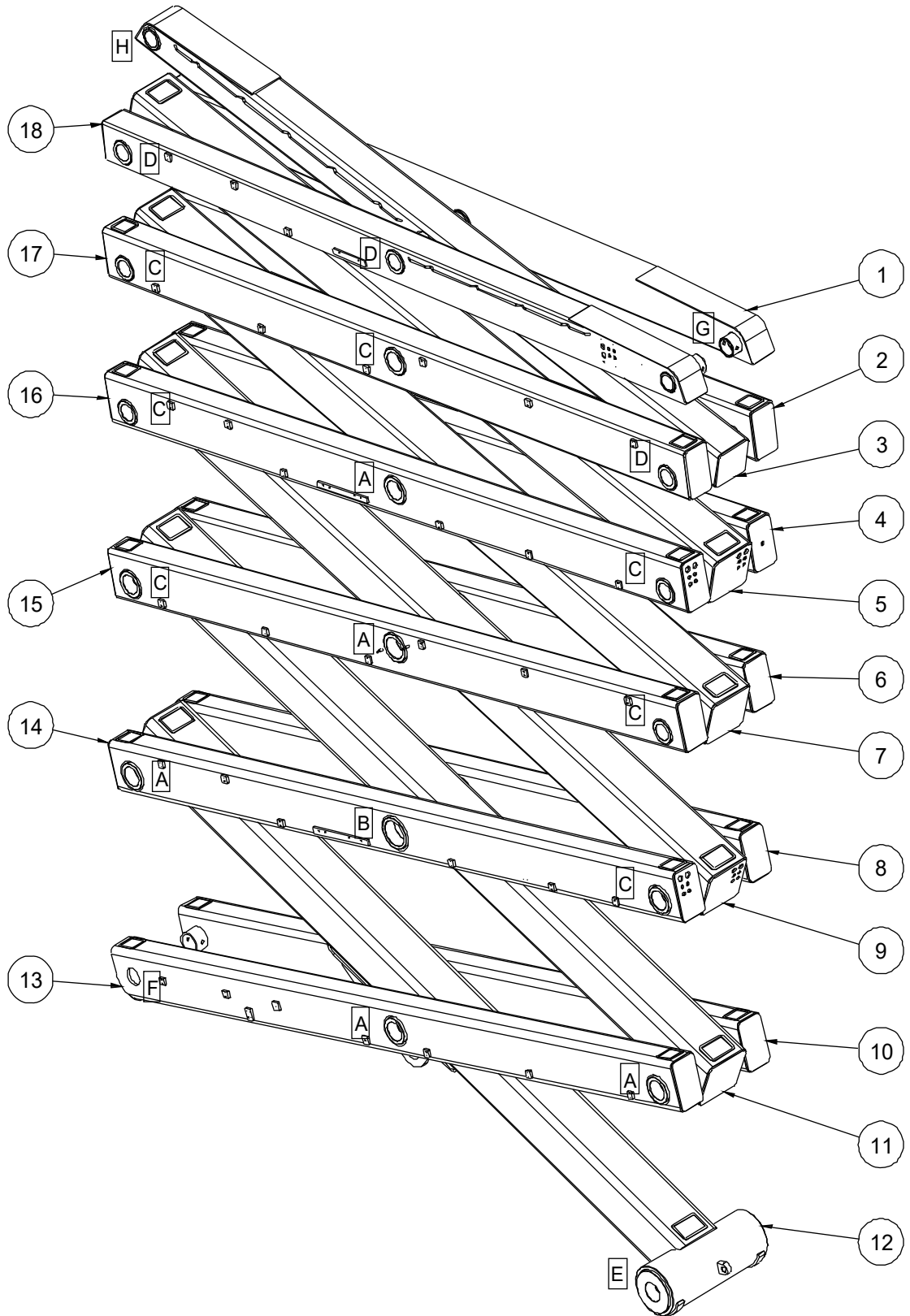
705.1 Automatic Lubrication Systems - Hoses and Fittings

Item	Part No.	Description	Qty.
12	10020649	Pipe assembly 6	1
--	10020663	Pipe 6	1
--	00008836	Retaining Nut M16×1.5	2
--	00008837	Cutting ring 10	2
13	10020664	Pipe assembly 7	1
--	10020665	Pipe 7	1
--	00008836	Retaining Nut M16×1.5	2
--	00008837	Cutting ring 10	2
14	10020666	Pipe assembly 10	1
--	10020667	Pipe 10	1
--	00008836	Retaining Nut M16×1.5	2
--	00008837	Cutting ring 10	2
15	10020754	Hose assembly L700	1
16	10021237	Hose assembly L1000	1
17	10021238	Hose assembly L1700	1
18	10020699	Hose assembly L3900	1
19	10020698	Hose assembly L6700	1
20	10020969	Hose assembly L7900	1
21	10020697	Hose assembly L4700	3
22	10020696	Hose assembly L7000	5
23	10021244	Hose assembly L2200	3
24	10021260	Hose assembly L2700	2
25	10020837	Hose assembly L400	2
26	10021235	Hose assembly L300	1
27	00001113	Plug VSTI3/8ED	2
28	00004468	Straight fitting	16
29	00008939	Straight fitting	1
30	00001499	Straight fitting	8
31	00002102	Tee fitting	1

705.1 Automatic Lubrication Systems - Hoses and Fittings

Item	Part No.	Description	Qty.
32	00001833	Elbow	1
33	00002136	Straight fitting	1

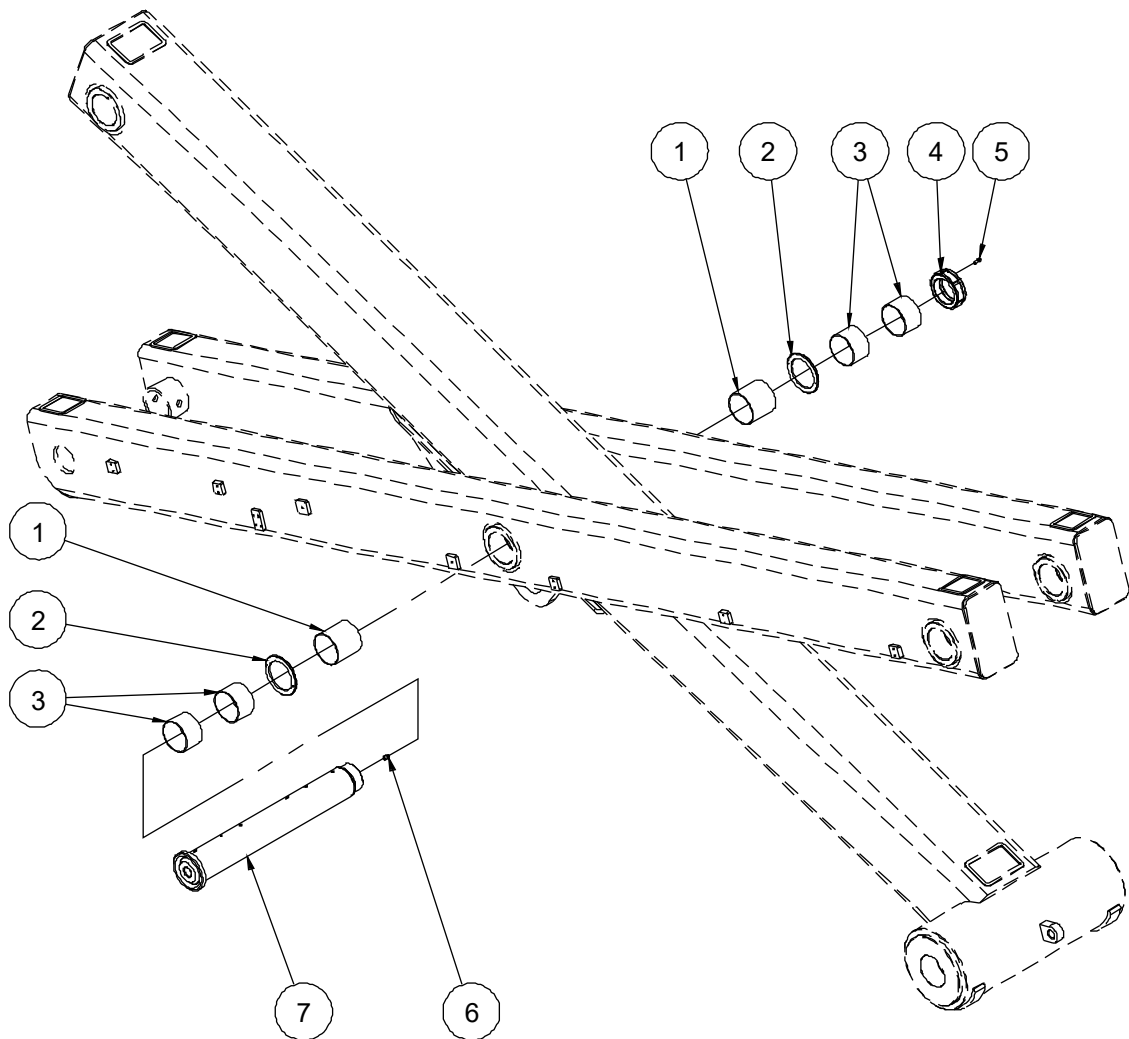
706.1 Automatic Lubrication Systems - Scissor Arms Installation



706.1 Automatic Lubrication Systems - Scissor Arms Installation

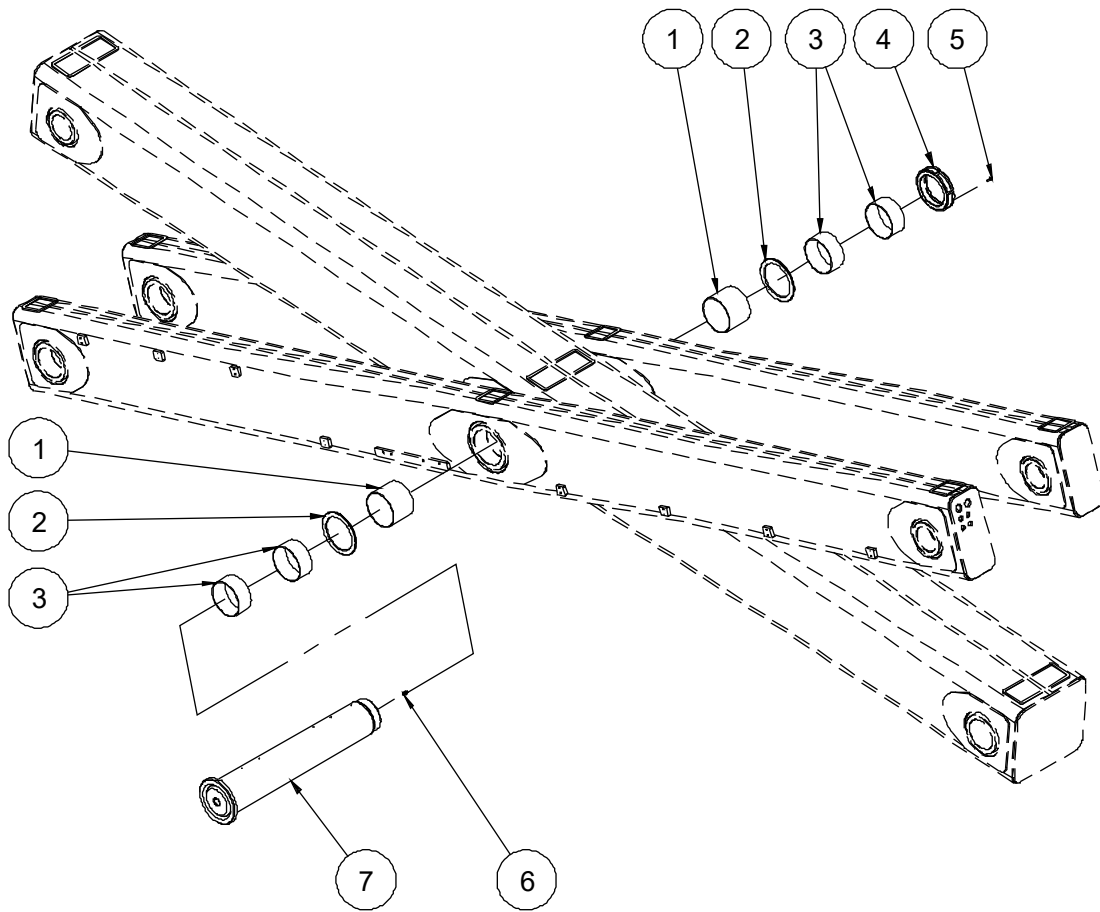
Item	Part No.	Description	Qty.
1	10020429	Outer arm 6, right	1
2	10020425	Outer arm 5	1
3	10020433	Inner arm 6	1
4	10020424	Outer arm 4, right	1
5	10020410	Inner arm 5	1
6	10020420	Outer arm 3	1
7	10020408	Inner arm 4	1
8	10020419	Outer arm 2, right	1
9	10020406	Inner arm 3	1
10	10020623	Outer arm 1, right	1
11	10020404	Inner arm 2	1
12	10020401	Inner arm 1	1
13	10020622	Outer arm 1, left	1
14	10020624	Outer arm 2, left	1
15	10020625	Outer arm 3, left	1
16	10020626	Outer arm 4, left	1
17	10020627	Outer arm 5, left	1
18	10020628	Outer arm 6, left	1

707.1 Automatic Lubrication Systems - Scissor Arm pin joint A



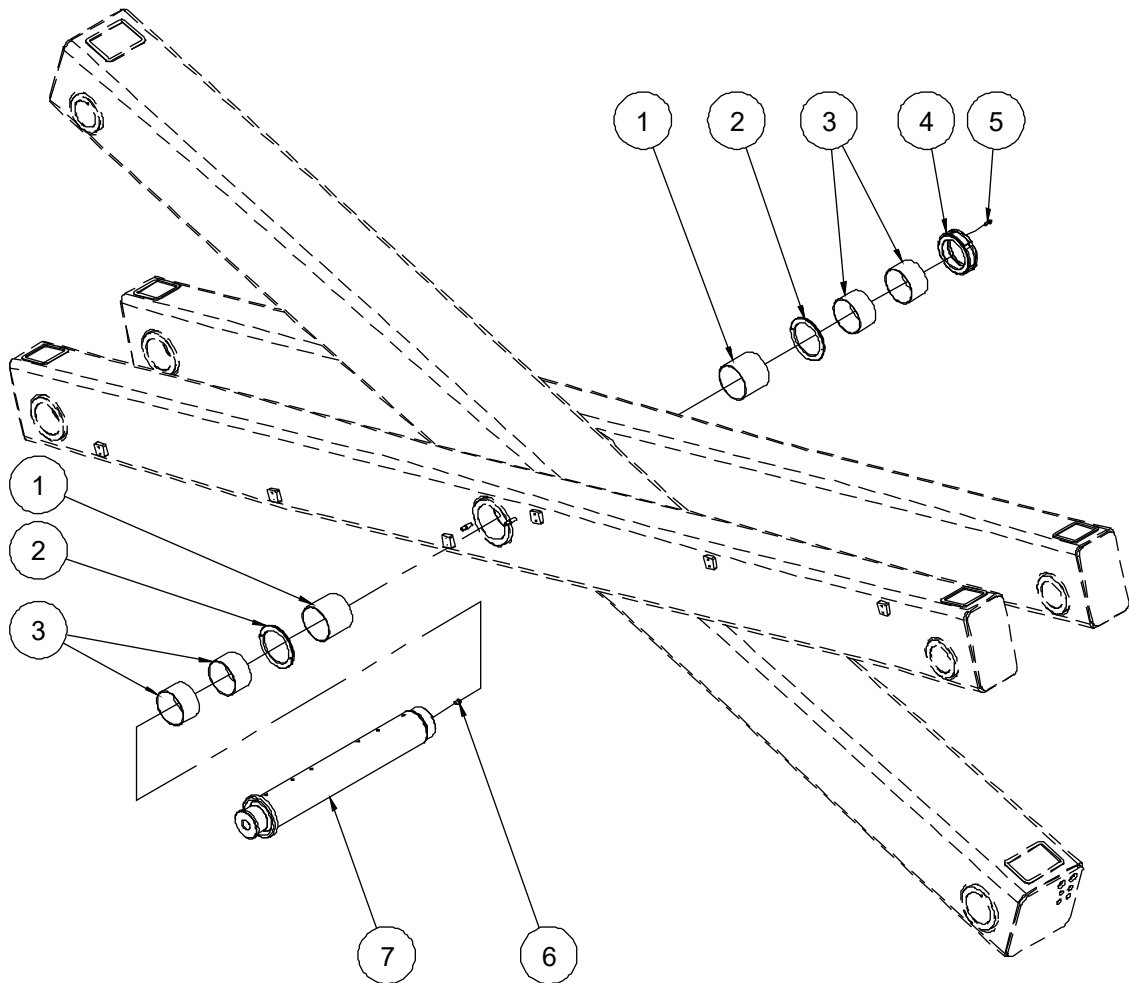
707.1 Automatic Lubrication Systems - Scissor Arm pin joint A

Item	Part No.	Description	Qty.
1	00007872	8812-110115100A Bearing	2
2	10016087	Washer 110	2
3	00007873	8812-11011560A Bearing	4
4	10017509	Nut M100	1
5	00000876	Screw GB/T 70.1 M6×16	6
6	00004483	Grease nipple GB/T 1152 M10×1	1
7	10016056	Pin 110	1

708.1 Automatic Lubrication Systems - Scissor Arm pin joint B**708.1 Automatic Lubrication Systems - Scissor Arm pin joint B**

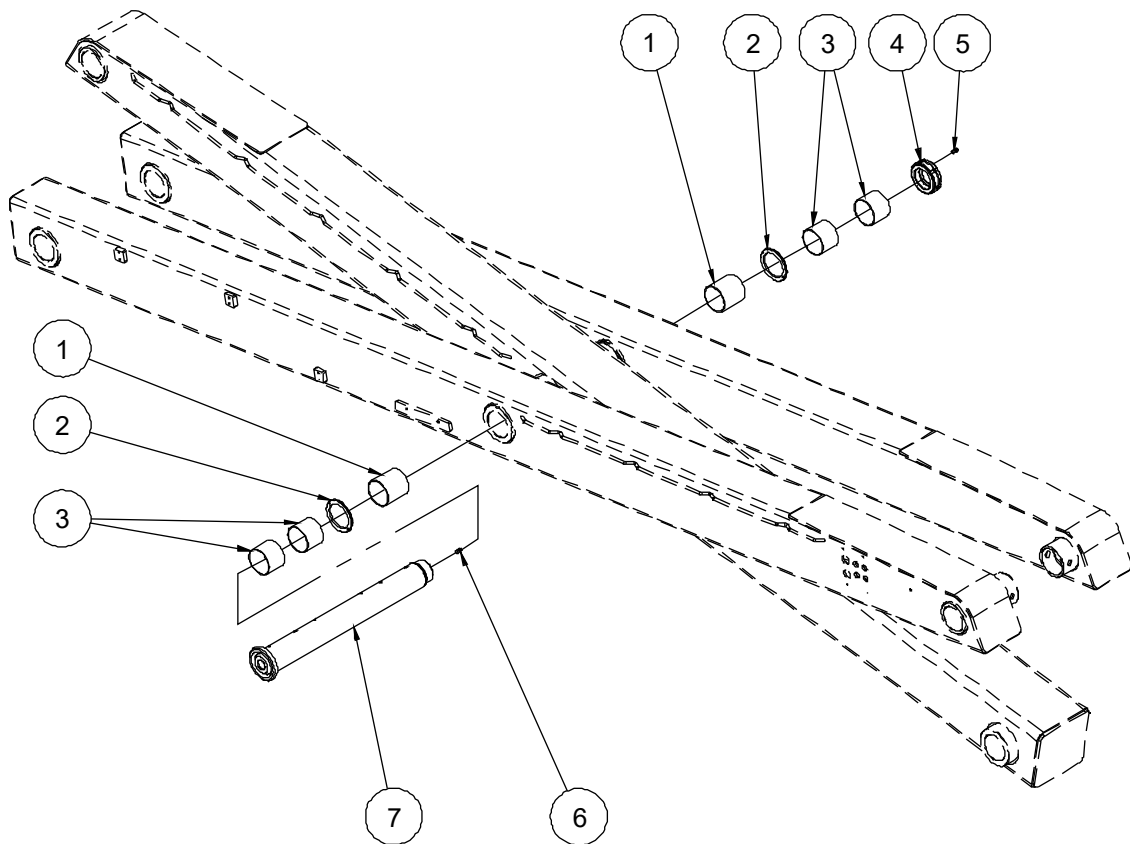
Item	Part No.	Description	Qty.
1	00007850	8812-130135100A Bearing	2
2	10016755	Washer 130	2
3	00007851	8812-13013560A Bearing	4
4	10017510	Nut M120	1
5	00000876	Screw GB/T 70 M6×16	6
6	00004483	Grease nipple GB/T 1152 M10×1	1
7	10016739	Pin 130	1

709.1 Automatic Lubrication Systems - Scissor Arm pin joint C



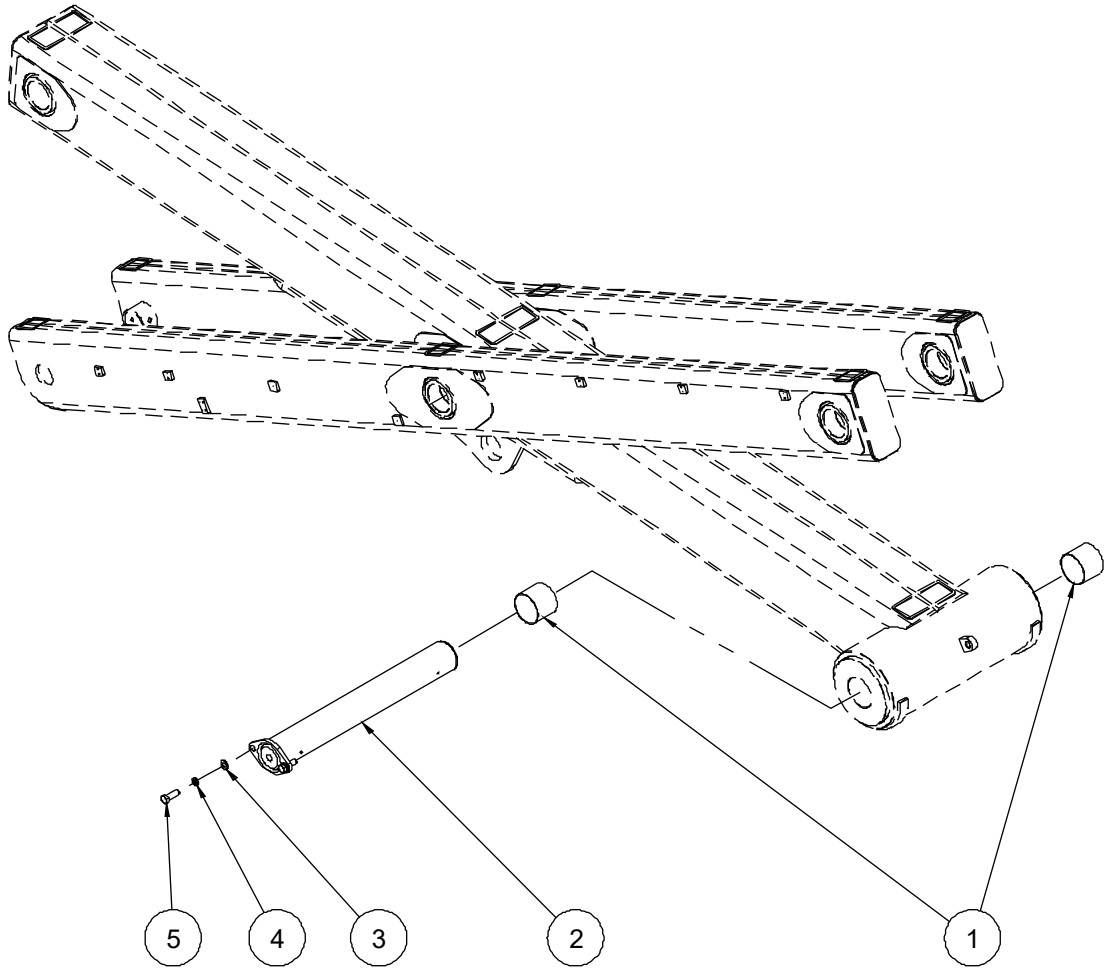
709.1 Automatic Lubrication Systems - Scissor Arm pin joint C

Item	Part No.	Description	Qty.
1	00006140	8812-909590A Bearing	2
2	10009382	Washer 90	2
3	00006149	8812-909560A Bearing	4
4	10017506	Nut M80	1
5	00000876	Screw GB/T 70.1 M6×16	4
6	00004483	Grease nipple GB/T 1152 M10×1	1
7	10016063	Pin 90	1

710.1 Automatic Lubrication Systems - Scissor Arm pin joint D**710.1 Automatic Lubrication Systems - Scissor Arm pin joint D**

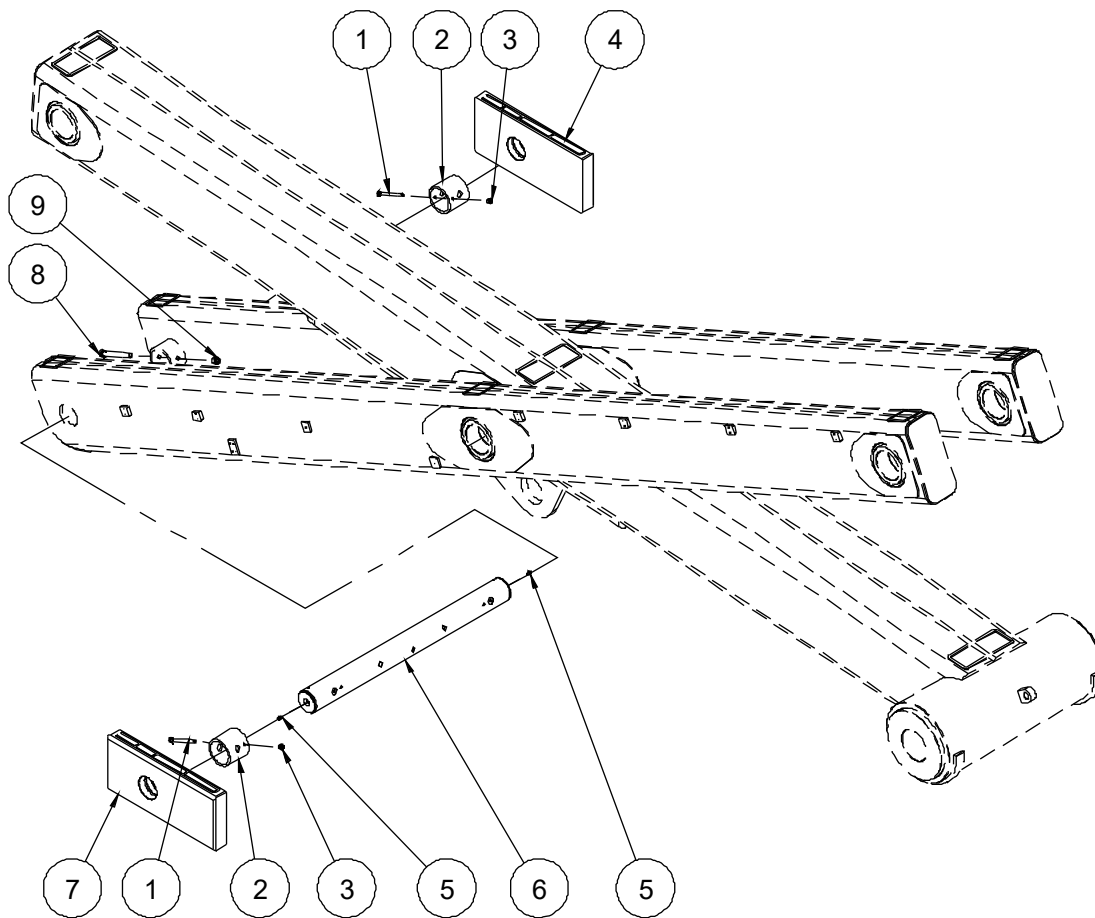
Item	Part No.	Description	Qty.
1	00006144	8812-758080A Bearing	2
2	10009374	Washer 75	2
3	00006143	8812-758060A Bearing	4
4	10017507	Nut M64	1
5	00002029	Screw GB/T 70.1 M6×12	4
6	00004483	Grease nipple GB/T 1152 M10×1	1
7	10016063	Pin 75	1

711.1 Automatic Lubrication Systems - Scissor Arm pin joint E



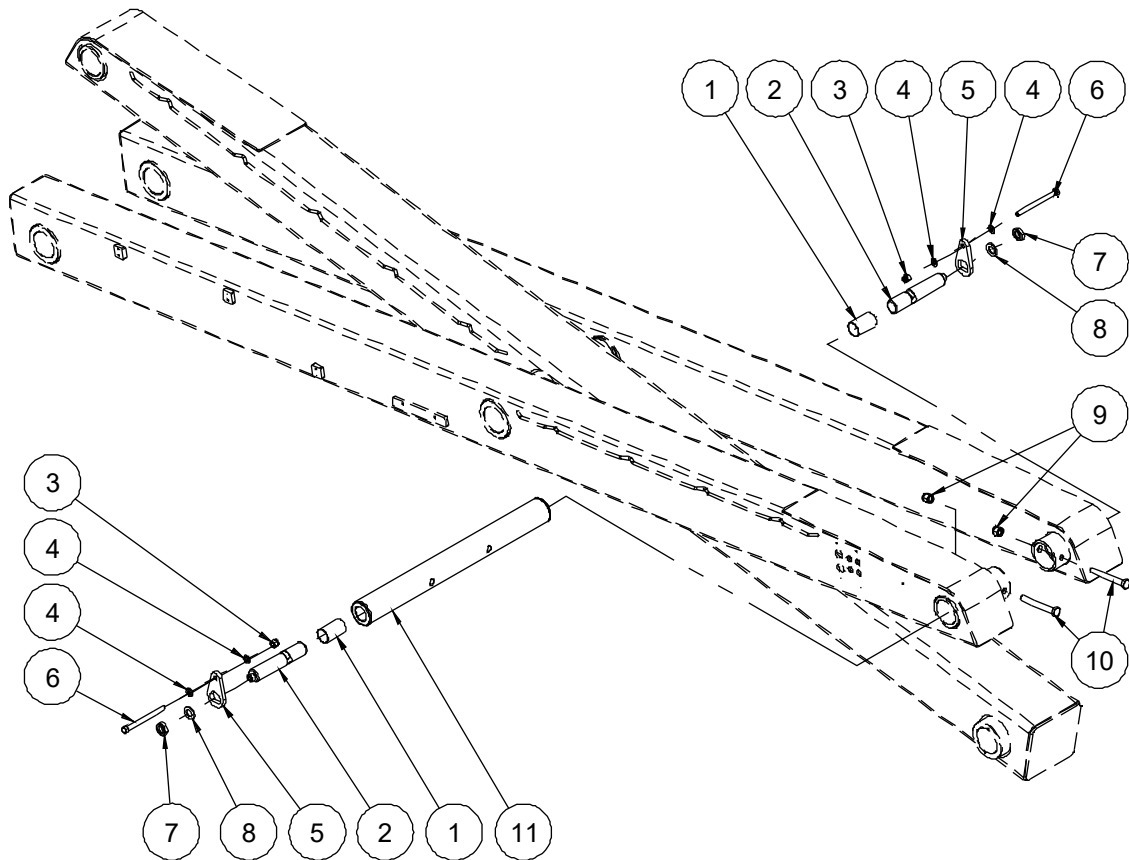
711.1 Automatic Lubrication Systems - Scissor Arm pin joint E

Item	Part No.	Description	Qty.
1	00006146	8812-120125100A Bearing	2
2	10015873	Pin	1
3	00001050	Washer GB/T 97.1 20	2
4	00002219	Washer GB/T 93 20	2
5	00006443	Bolt GB/T 5783 M20×60	2

712.1 Automatic Lubrication Systems - Scissor Arm pin joint F**712.1 Automatic Lubrication Systems - Scissor Arm pin joint F**

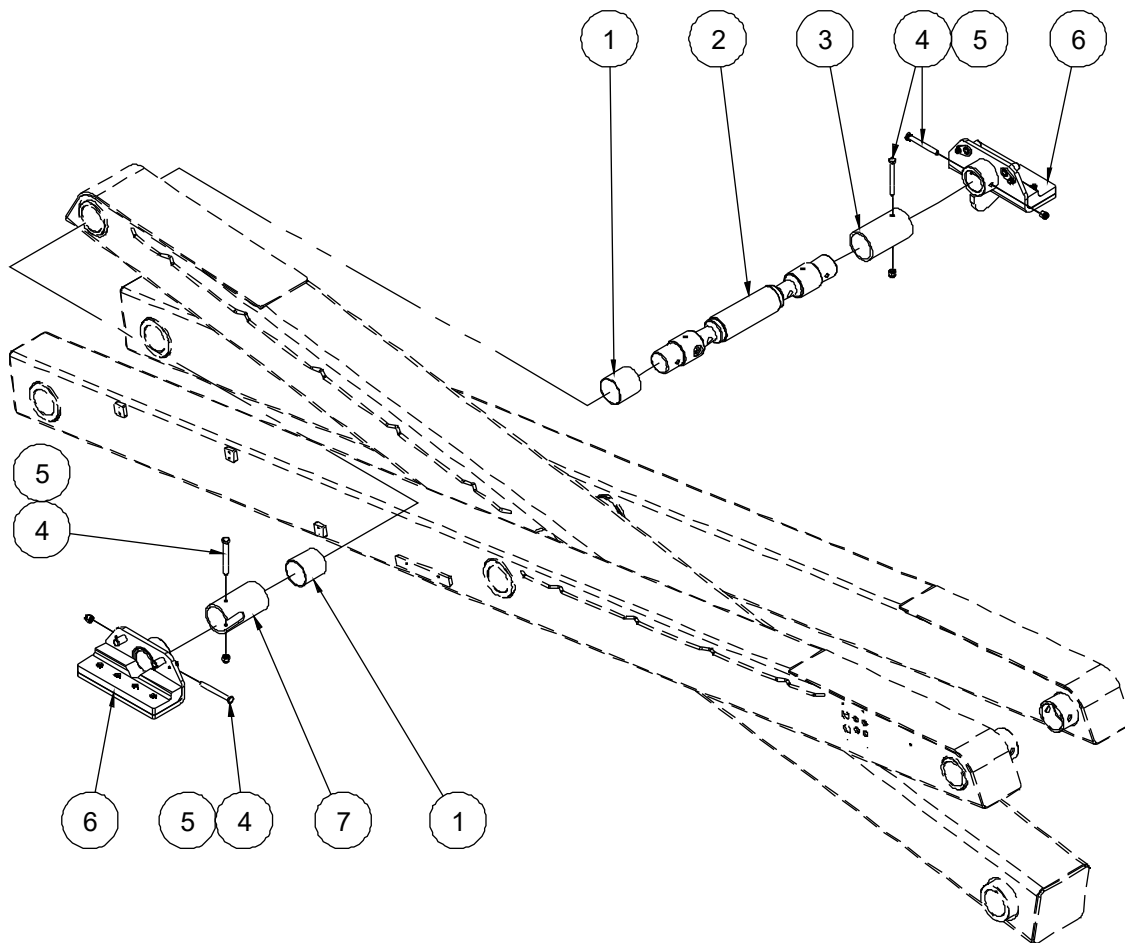
Item	Part No.	Description	Qty.
1	00006082	Bolt GB/T 5782 M10×130	2
2	10020631	Spacer sleeve 1	2
3	00000623	Nut GB/T 6182 M10	2
4	10016066	Chassis slider 1	1
5	00004483	Grease nipple GB/T 1152 M10×1	2
6	10020630	Pin	1
7	10017868	Chassis slider 2	1
8	00005163	Bolt GB/T 5782 M16×150	2
9	00001257	Nut GB/T 6182 M16	2

713.1 Automatic Lubrication Systems - Scissor Arm pin joint G



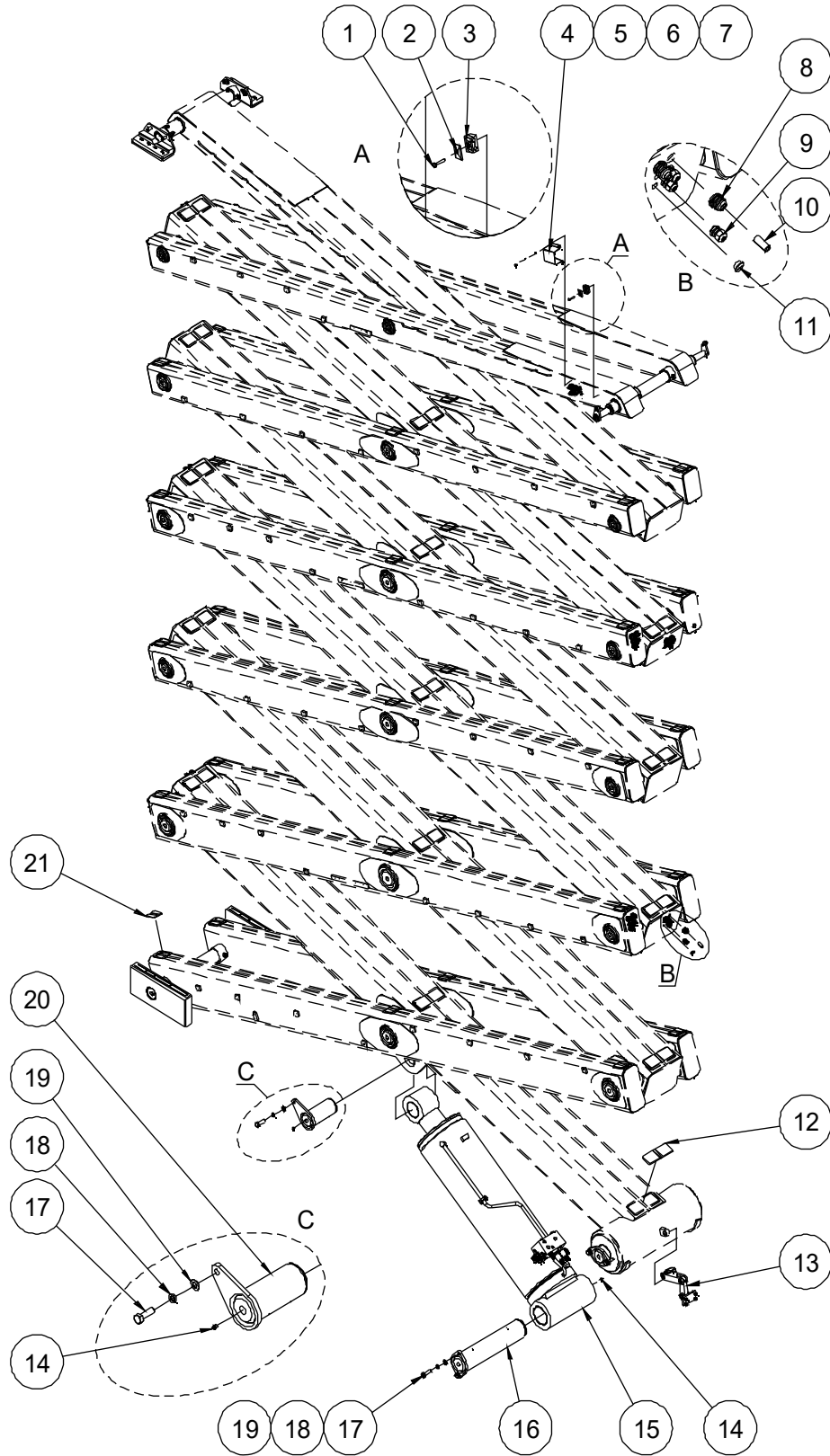
713.1 Automatic Lubrication Systems - Scissor Arm pin joint G

Item	Part No.	Description	Qty.
1	00006165	8812-404470 Bearing	2
2	10009398	Pin	2
3	00001249	Nut GB/T 6182 M12	2
4	00000814	Washer GB/T 97.1 12	4
5	10009399	Pin fixing plate	2
6	00006185	Bolt GB/T 5782 M12×150	2
7	00001998	Nut GB/T 6173 M22×1.5	2
8	00002550	Washer GB/T 97.1 22	2
9	00001257	Nut GB/T 6182 M16	2
10	00001109	Bolt GB/T 5782 M16×130	2
11	10018243	Pin	1

714.1 Automatic Lubrication Systems - Scissor Arm pin joint H**714.1 Automatic Lubrication Systems - Scissor Arm pin joint H**

Item	Part No.	Description	Qty.
1	00006166	8812-758080 Bearing	2
2	10018244	Pin	1
3	10018249	Spacer sleeve	1
4	00006174	Bolt GB/T 5782 M12×110	4
5	00001249	Nut GB/T 6182 M12	4
6		Platform slider assembly (refet to 210.1)	2
7	10018258	Spacer sleeve	1

715.1 Automatic Lubrication Systems - Lift cylinder and Scissor Accessory Installation



715.1 Automatic Lubrication Systems - Lift cylinder and Scissor Accessory Installation

Item	Part No.	Description	Qty.
1	00002604	Bolt GB/T 5783 M8×40	1
2	10000047	Base plate	1
3	00000538	Hose clamp	1
4	10017530	Cover	1
5	00001252	Screw GB/T 70 M5×12	4
6	00000606	Washer GB/T 93 5	4
7	00000605	Washer GB/T 97.1 5	4
8	00001829	Water-proof joint M30×1.5	24
9	00006128	Water-proof joint M20×1.5	36
10	10009675	Sheath	24
11	00006177	Cover	14
12	10020437	Block	15
13		Rotary sensor assembly (refer to 212.1)	1
14	00004483	Grease nipple GB/T 1152 M10×1	20
15		Lift cylinder assembly (without seal kit) (refer to 401.1)	1
16	10015876	Pin	1
17	00006443	Bolt GB/T 5783 M20×60	5
18	00002219	Washer GB/T 93 20	5
19	00001050	Washer GB/T 97.1 20	5
20	10016744	Pin	1
21	10020438	Block	30

Zhejiang Dingli Machinery Co., Ltd.

No.188 Qihang Road. Deqing Zhejiang P.R.

China 313219

Tel: +86-572-8681688

Fax: +86-572-8681690

Web: www.cndingli.com

E-mail: market@cndingli.com

DINGLI